

November 2021

GENERAL DESCRIPTION

The HI-485xH devices are high-speed slew-rate controlled TIA-485/TIA-422-B and ISO 8482:1993 compliant transceivers with extended temperature ranges of -55°C to 175°C for plastic packages and -55°C to 200°C for the ceramic CERDIP-8 package. The devices can operate over an extended supply (3.15V to 5.5V) and extended receiver common-mode range for high temperature and industrial control applications. The receiver input common-mode range of [-12, 15]V and ±20V for the half and full duplex configurations respectively, is valid over the full supply and temperature specification. The HI-4853H has a half-duplex configuration, and the HI-4854H and HI-4855H are full-duplex. Slew rates are optimized for data rates below 25Mbps. The drivers slew-rate control and pre-emphasis reduces high-frequency components in the output signal transitions and also compensates for impedance mismatch. These features provide optimum EMI and jitter performance, essential in EMI sensitive environments and high-integrity data link applications such as in aerospace and industrial controls.

The devices deliver at least ± 1.50V (VDD=3.15V), and ± 2.00V (VDD= 4.5V) output levels at an extended temperature range of -55°C to +200°C into a differential load of 54Ω and 50pF.

The receiver offers true Fail-Safe operation, providing a guaranteed logic high on RO when the bus is open-circuit, short-circuit, or idle (terminated but not driven). The receiver's worst case minimum input resistance is at least 70KΩ at 200°C.

APPLICATIONS

- Extended Temperature Range RS-485/422 Networks
- Oil exploration / down-hole drilling
- Process Control and Factory Automation
- EMI Emission Sensitive Avionics
- Industrial Field Bus Networks
- Networks requiring extended common-mode range
- Miniature Munitions Stores Interface (MMSI / EBR-1553)

Device Selection Table

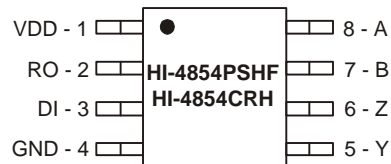
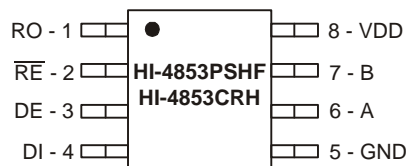
Part Number	Half/Full Duplex	Data Rate (Mbps)*	Package
HI-4853	Half	≤ 20.0	8-pin SOIC
HI-4854	Full	≤ 20.0	8-pin SOIC
HI-4855	Full	≤ 20.0	14-pin SOIC 16-pin QFN

* For RS-485 Transceivers optimized for data rates up to 5Mbps please refer to the HI-4850 data sheet.

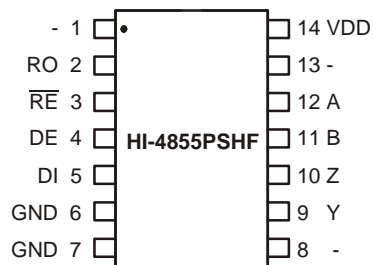
FEATURES

- Extended Temperature Ranges -55°C to 175°C (plastic packages) and -55°C to 200°C (ceramic CERDIP-8 package)
- Slew Rate Control and Pre-Emphasis for superior EMI
- Extended Power Supply Operating Range 3.15V to 5.5V
- Extended Receiver Common-Mode Range:
 - 12.0V to 15.0V Half-Duplex
 - ±20V Full-Duplex
- ESD Protection
 - ±16KV HBM (Bus Pins)
 - ±8KV HBM (Logic Pins)
- 20 Mbps Data Rate up to 50 ft. CAT-5 UTP
- 12 Mbps Data Rate up to 1000 ft. CAT-5 UTP
- Current Limiting Protection
- Industry Standard 75176 Pin-out

PIN CONFIGURATIONS (Top Views)



8-Pin Plastic SOIC package (Narrow Body) & 8-Pin Ceramic CERDIP



14-Pin Plastic SOIC package (Narrow Body)

PIN DESCRIPTIONS

SIGNAL	FUNCTION	DESCRIPTION
RO	OUTPUT	Receiver Output. If $V_{ID} \geq -50\text{mV}$, then RO is high. If $V_{ID} < -150\text{mV}$ then RO is low. If the bus is shorted, open or terminated but not driven by another terminal, RO will be high.
$\overline{\text{RE}}$	INPUT	Receiver Enable. $\overline{\text{RE}} = \text{Low}$ enables the receiver. $\overline{\text{RE}} = \text{High}$ forces the receiver output (RO) into a high impedance state. Internal $450\text{K}\Omega$ pull-down resistor
DE	INPUT	Driver Enable. DE = high enables the driver. DE = low will force the driver output into a high impedance state and the device will function as a line receiver if RE is also low. Internal $450\text{K}\Omega$ pull-up resistor
DI	INPUT	Driver Input. Forces the logic state of the Driver's output, if Driver is enabled. Internal $450\text{K}\Omega$ pull-up resistor
GND	POWER	Chip ground, 0V Supply
A, Y	ANALOG I/O	Non-inverting Receiver Input / Driver Output.
B, Z	ANALOG I/O	Inverting Receiver Input / Driver Output.
VDD	POWER	Positive Supply: $3.15\text{V} \leq \text{VDD} \leq 5.5\text{V}$

TX FUNCTION TABLE

TRANSMITTING					
INPUTS			LINE CONDITION	OUTPUTS	
$\overline{\text{RE}}$	DE	DI		B	A
X	1	1	Transmit logic high	0	1
X	1	0	Transmit logic low	1	0
0	0	X	Disable	Hi-Z	Hi-Z
1	0	X	Shutdown	Hi-Z	Hi-Z

RX FUNCTION TABLE

RECEIVING				
INPUTS		BUS PINS $V_{ID} = V_A - V_B$	OUTPUT RO	OPERATION
$\overline{\text{RE}}$	DE			
0	0	$-150\text{mV} < V_{ID} < -50\text{mV}$	X	Undefined Input
0	X	$-50\text{mV} \leq V_{ID}$	1	Receiver logic high
0	X	$V_{ID} \leq -150\text{mV}$	0	Receiver logic low
0	0	Open or Shorted	1	Default
0	0	Idle and terminated	1	Default
1	1	X	Hi-Z	Disabled
1	0	X	Hi-Z	Shutdown

Typical Operating Circuit

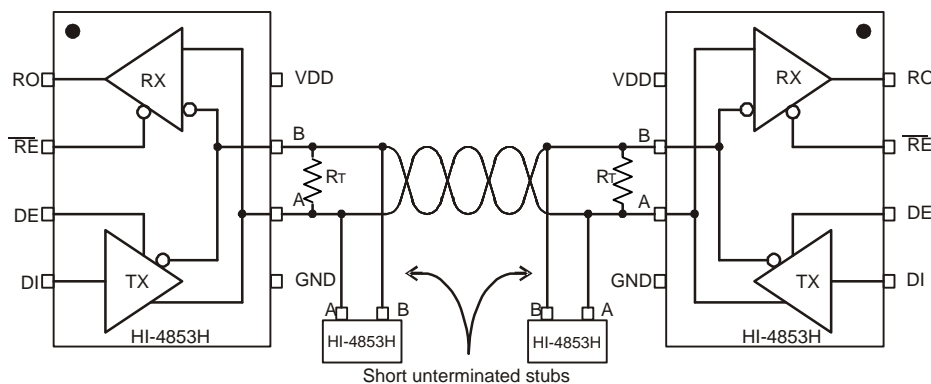


Figure 1 - Typical half-duplex configuration

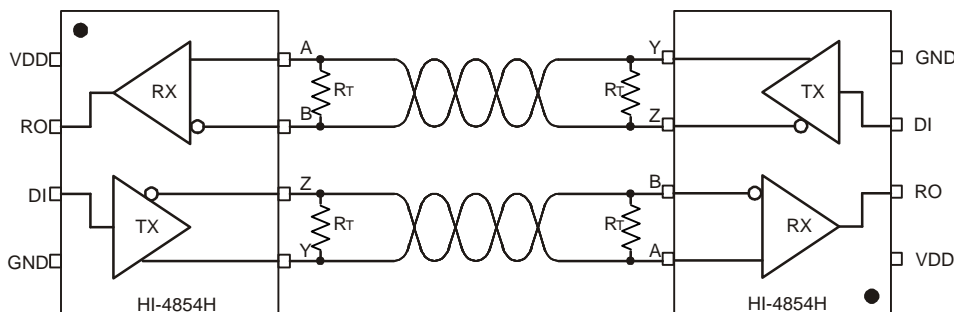


Figure 2 - Typical full-duplex 8-pin configuration

ABSOLUTE MAXIMUM RATINGS

(Voltages referenced to GND = 0V)

Supply Voltage, VDD:.....7 V	Operating Temperature Range:(Plastic).....-55°C to +175°C (Ceramic).....-55°C to +200°C
Control Input Currents:-100mA to 100mA	
Control Input Voltages:.....-0.5V to VDD + 0.5V	
Digital Input Voltages (DI, DE, RE):.....-0.5V to VDD + 0.5V	
Bus Voltage (AY, BZ):.....±25V	Internal Power Dissipation:.....900mW
Digital Output Voltage (RO):.....-0.5V to V + 0.5V	Storage Temperature Range:-65°C to +150°C
Short-Circuit Duration, Driver (V: ±15V):.....∞	
ESD (Human Body Model): AY, BZ, VDD, GND pins:.....±16KV DI, DE, RE, RO pins:.....±8KV	Solder Temperature: (Reflow).....260°C

NOTE: Stresses above those listed under "Absolute Maximum Ratings" may cause permanent damage to the device. These are stress ratings only. Functional operation of the device at these or any other conditions above those indicated in the operational sections of the specifications is not implied. Exposure to absolute maximum rating conditions for extended periods may affect device reliability.

SPECIFIED OPERATING CONDITIONS

PARAMETERS	SYMBOL	CONDITIONS	LIMITS			UNIT
			MIN	TYP	MAX	
Supply Voltage	V _{DD}		3.15	3.3/5.0	5.5	V
Temperature	T		-55		175/200	°C
TX Common-Mode Bus Loading	V _{OCM}	See Figure 4	-7		12	V
RX Input Common-Mode Voltage	V _{ICM}	Half-Duplex	-16		20	V
Differential Load Resistance	R _L		45	60	∞	Ω
Differential Load Capacitance	C _L			100		pF
Digital Input High Voltage	V _{IH}	DE, DI, RE	70			%V _{DD}
Digital Input Low Voltage	V _{IL}	DE, DI, RE			30	%V _{DD}
Digital Input Current high	I _{IH}	DE, DI, V _{IH} = V _{DD}			1	μA
Digital Input Pull-Down Current	I _{PD}	RE, V _{IH} = V _{DD}	6		24	μA
Digital Input Current low	I _{IL}	RE, V _{IH} = 0	-1			μA
Digital Input Pull-Up Current	I _{PU}	DE, DI, V _{IH} = 0V	-24		-6	μA

DRIVER DC ELECTRICAL CHARACTERISTICS

VDD = 3.15V to 3.6V or 4.5V to 5.5V; Operating Temperature Range; MIN and MAX values are at range boundaries

PARAMETER	SYMBOL	CONDITIONS	FIGURE	VDD = 3.15V to 3.6V			VDD = 5.0V ± 10%			UNIT
				MIN	TYP	MAX	MIN	TYP	MAX	
Differential Output Voltage with no load	V _{OD1}	R _L = ∞	3	V _{DD} - 0.1		V _{DD}	V _{DD} - 0.1		V _{DD}	V
Differential Output Voltage into load with no common-mode voltage	V _{OD2}	R _L = 54Ω, C _L = 50pF	3	1.5		3.0	2.45		4.0	V
Differential Output Voltage into load with applied common-mode voltage	V _{OD3}	-7V ≤ V _{OCM} ≤ 12V	4	1.2		3.0	2.0		4.0	V
Differential Output Over/Under Shoot						5.5			3.2	%V _{OD}
Change in Differential Output Voltage between logic states	ΔV _{OD}	R _L = 54Ω, C _L = 50pF	3	-125		125	-125		125	mV
Output Common-Mode Voltage	V _{OCM}	R _L = 54Ω, C _L = 50pF	4	1.15	1.60	2.0	2.15	2.45	3.0	V
Change in output Common-Mode Voltage between logic states	ΔV _{OCM}	R _L = 54Ω, C _L = 50pF	4	-125		125	-150		150	mV
Bus Pin Leakage Current (High-Z Power On)	I _{OHZ1}	DE=0, -12V ≤ V _{OCM} ≤ 15V DE=0, -12V ≤ V _{OCM} ≤ 15V		-200		200	-200		200	μA
Bus Pin Leakage Current (Power Off)	I _{OHZ2}	V _{OCM} = ±15V		-200		200	-200		200	μA
Peak Short Circuit Current	I _{SCP}	DE = V _{DD} , Bus Pin = ±15		-230		230	-250		250	mA
Steady State Short Circuit Current	I _{SC}	DE = V _{DD} , Bus Pin = ±15		0		50	0		50	μA
Differential Output Capacitance	C _{OD}	DE = 0				16			16	pF
Static Supply Current	I _{DD}	DE=V _{DD} , RE=0, R _L =∞			8	10		10	12	mA
Supply Current (Shutdown)	I _{DDQ}	DE=0, RE=V _{DD} , R _L =∞			90	110		125	400	μA

DRIVER SWITCHING CHARACTERISTICS

VDD = 3.15V – 3.6V or 4.5V – 5.5V as noted, Operating temperature range

PARAMETER	SYMBOL	CONDITIONS	FIGURE	VDD = 3.15V – 3.6V			VDD = 5.0V ± 10%			UNIT
				MIN	TYP	MAX	MIN	TYP	MAX	
Propagation Delay Low - to - High	t _{PDR}	R _L = 54Ω, C _L =50pF	5 & 6	17	26	33	16	24	30	ns
Propagation Delay High - to - Low	t _{PDF}	R _L = 54Ω, C _L =50pF	5 & 6	17	26	33	16	24	30	ns
Differential Rise Time	t _r	R _L = 54Ω, C _L =50pF	5 & 6	9	12	15	8	11	16	ns
Differential Fall Time	t _f	R _L = 54Ω, C _L =50pF	5 & 6	9	12	15	8	11	16	ns
Output Pulse Skew	t _{MSK}	R _L = 54Ω, C _L =50pF	5 & 6		2	8		2	8	ns
Driver Enable to Output High	t _{ZH}	R _L = 500Ω, C _L =50pF	7		95	120		90	117	ns
Driver Enable to output Low	t _{ZL}	R _L = 500Ω, C _L =50pF	7		95	120		90	117	ns
Driver Disable from Output High	t _{HZ}	R _L = 500Ω, C _L =50pF	7		20	33		18	30	ns
Driver Disable from Output Low	t _{LZ}	R _L = 500Ω, C _L =50pF	7		20	33		18	30	ns
Shutdown to Active Output Delay	t _{ON}	R _L = 500Ω, C _L =50pF	7			10			10	μs
Shutdown Delay	t _{OFF}					10			10	μs

RECEIVER DC ELECTRICAL CHARACTERISTICS

VDD = 3.15V – 3.6V or 4.5V – 5.5V as noted, Operating temperature range

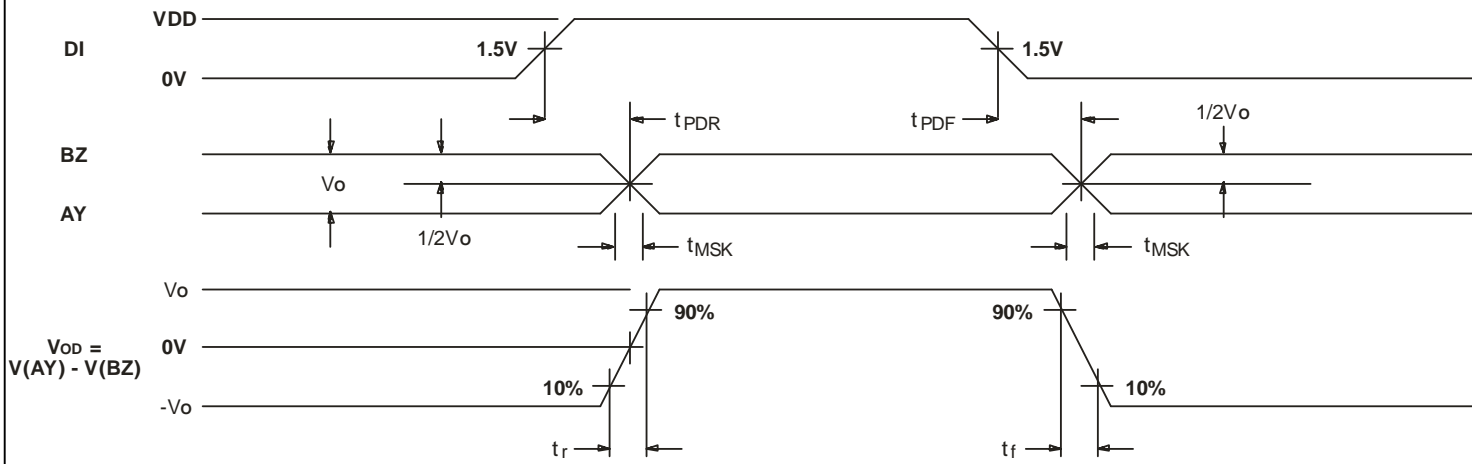
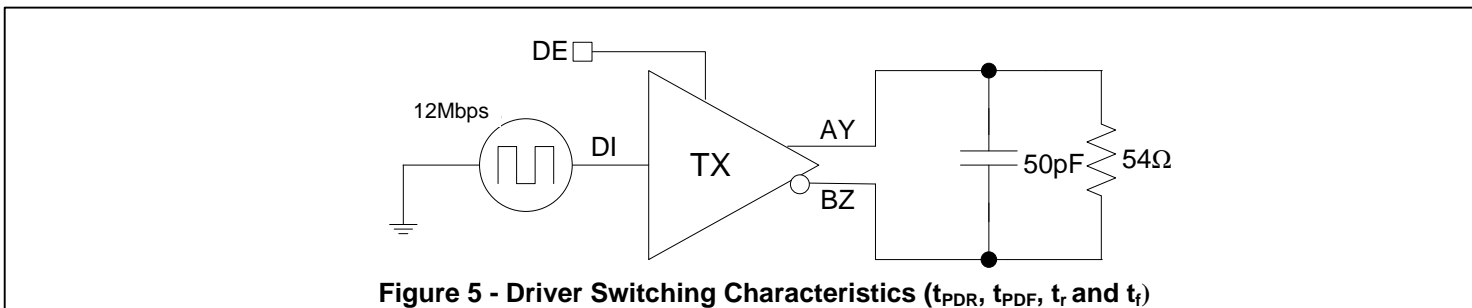
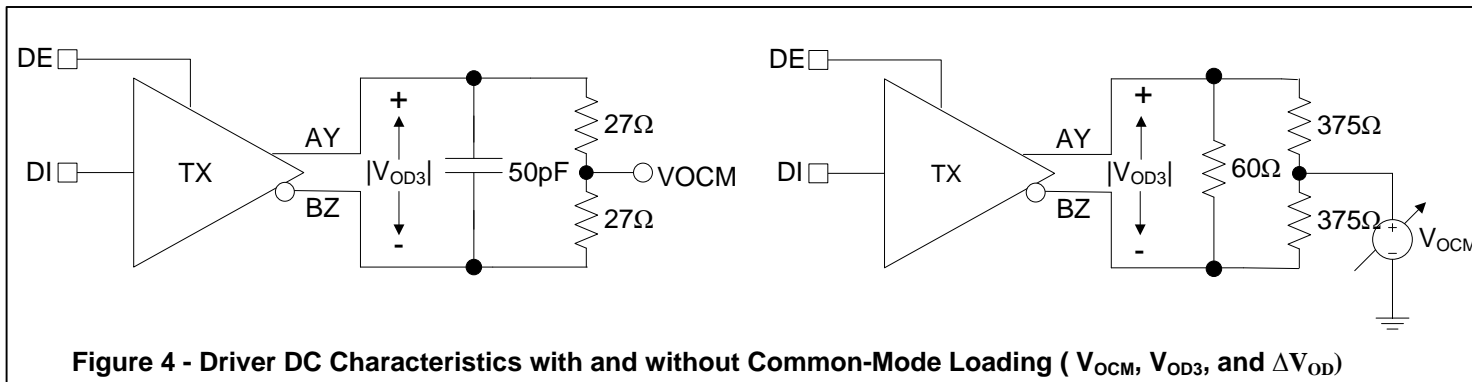
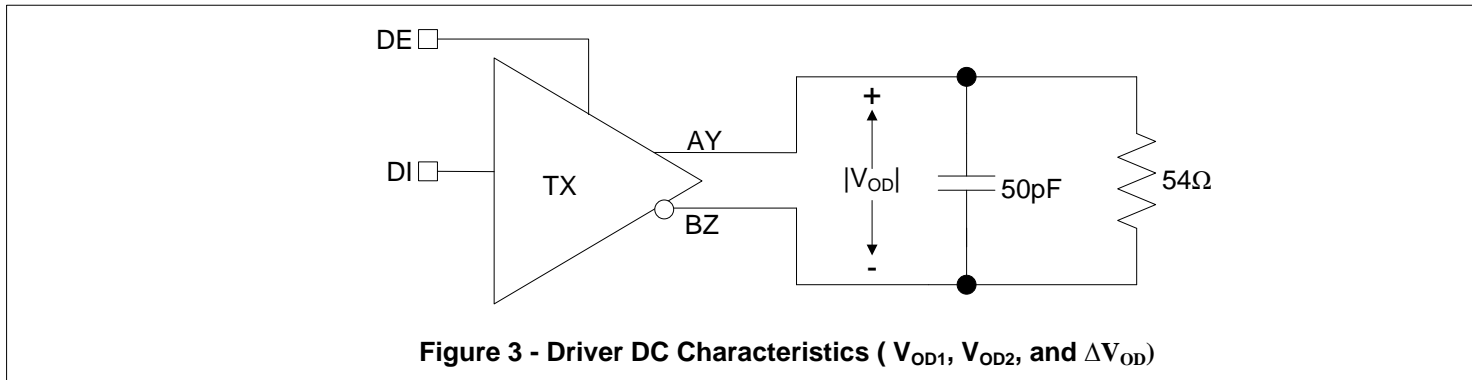
PARAMETER	SYMBOL	CONDITIONS	FIGURE	VDD = 3.15V – 3.6V			VDD = 5.0V ± 10%			UNIT
				MIN	TYP	MAX	MIN	TYP	MAX	
Differential Input Threshold Voltage	V _{TH}	-12 ≤ V _{ICM} ≤ +15		-200	-100	-10	-200	-100	-10	mV mV
Input Hysteresis	V _{HYS}	V _{ICM} = 0V		17	28	33	17	28	33	mV
Input Resistance	R _{IN}	-12 ≤ V _{ICM} ≤ +15		70	92		70	92		KΩ KΩ
RO Output High Level	V _{OH}	V _{ICM} = +200mV I _{OUT} = -2.0mA @ 200°C		90%			90%			V _{DD}
RO Output Low Level	V _{OL}	V _{ICM} = -200mV I _{OUT} = +2.0mA @ 200°C				10%			10%	V _{DD}
RO Output Hi-Z Leakage Current	I _{OZH}	0V ≤ V _{RO} ≤ V _{DD}		-1		1	-1		1	μA

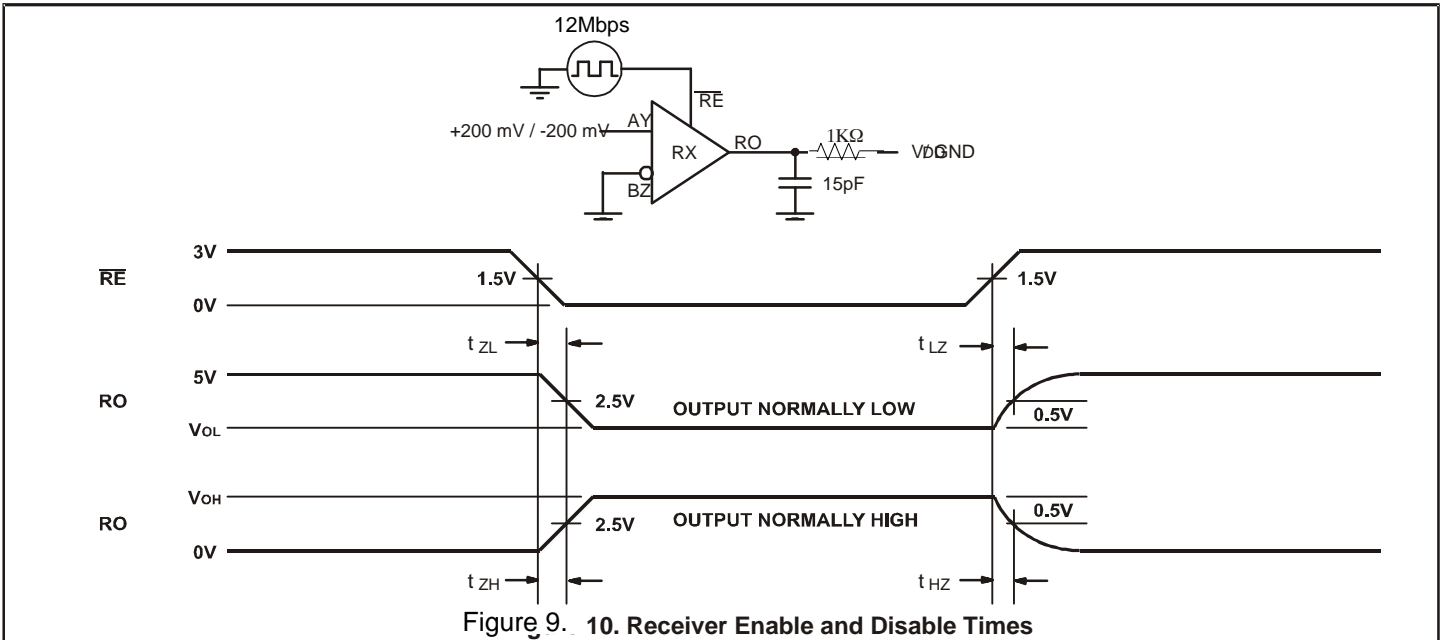
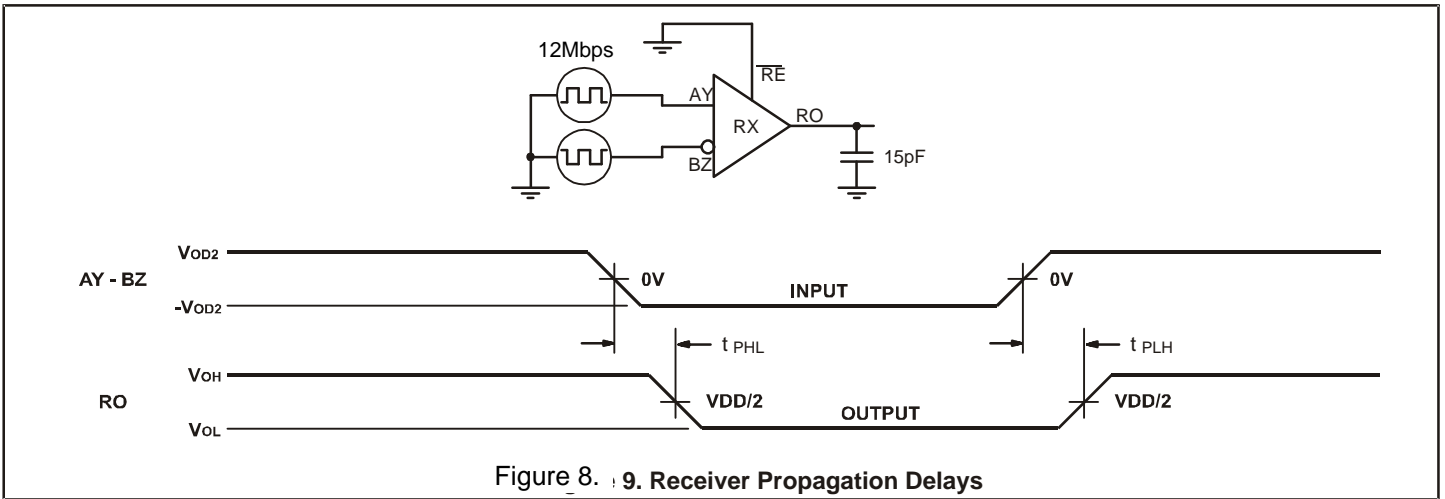
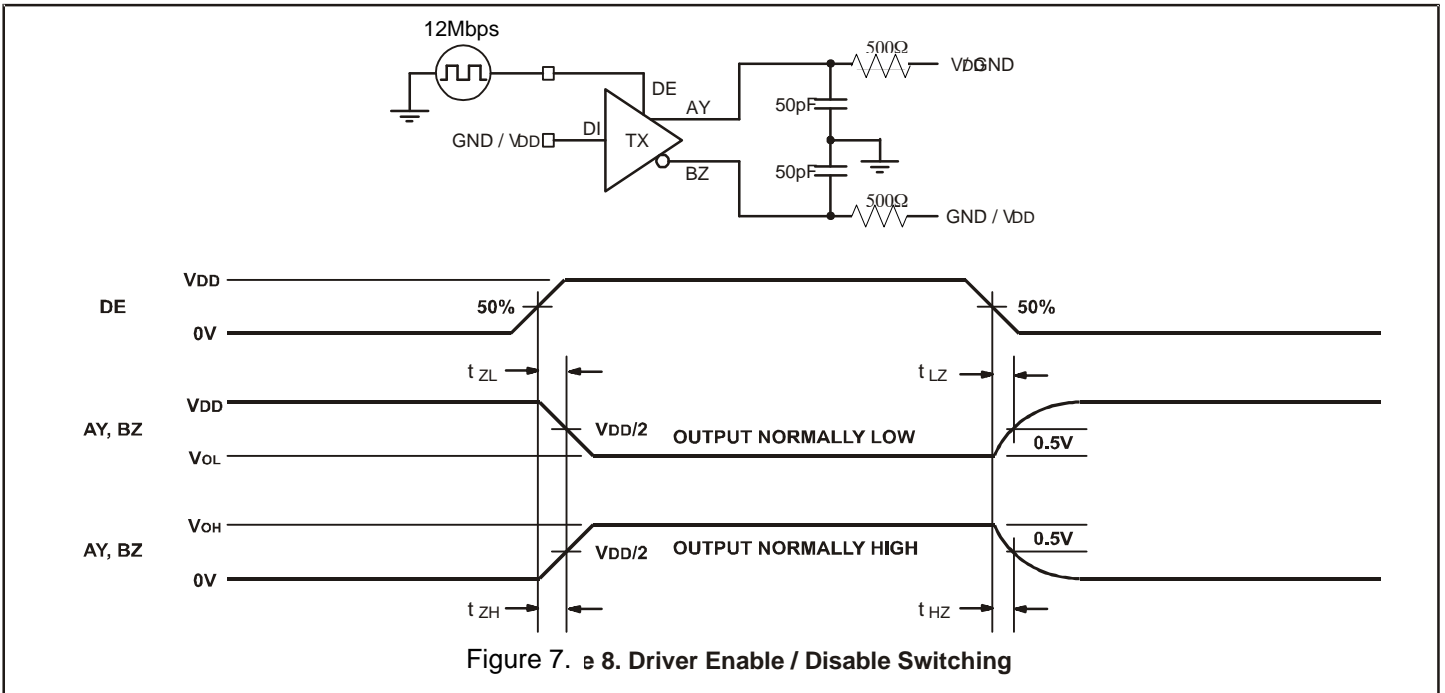
RECEIVER SWITCHING CHARACTERISTICS

VDD = 3.15V – 3.6V or 4.5V – 5.5V as noted, Operating temperature range

PARAMETER	SYMBOL	CONDITIONS	FIGURE	VDD = 3.15V – 3.6V			VDD = 5.0V ± 10%			UNIT
				MIN	TYP	MAX	MIN	TYP	MAX	
Propagation Delay Low - to - High	t _{RPDR}	V _{ID} = +1.5V, C _L =15pF	8	20	26	32	20	26	32	ns
Propagation Delay High - to - Low	t _{RPDF}	V _{ID} = -1.5V, C _L =15pF	8	20	26	32	20	26	32	ns
RO Output Rise Time	t _{rR}	V _{ID} = +1.5V, C _L =15pF	8	1.1	1.9	3.3	1.1	1.9	3.3	ns
RO Output Fall Time	t _{rF}	V _{ID} = -1.5V, C _L =15pF	8	1.1	1.9	3.3	1.1	1.9	3.3	ns
Output Pulse Skew	t _{RMSK}	V _{ID} = +1.5V, C _L =15pF	8		0.8	1.6		0.8	1.6	ns
Receiver Enable to RO Output High	t _{RZH}	R _L = 1KΩ, C _L =15pF	9		12	16		12	16	ns
Receiver Enable to output Low	t _{RZL}	R _L = 1KΩ, C _L =15pF	9		12	16		12	16	ns
Receiver Disable from Output High	t _{RHZ}	R _L = 1KΩ, C _L =15pF	9		6	10		6	10	ns
Receiver Disable from Output Low	t _{RLZ}	R _L = 1KΩ, C _L =15pF	9		6	10		6	10	ns
Shutdown to RO Active Output Delay	t _{RON}	R _L = 1KΩ, C _L =15pF	9			5			5	μs
Shutdown Delay to RO HiZ	t _{ROFF}	R _L = 1KΩ, C _L =15pF	9		60	100		60	100	ns

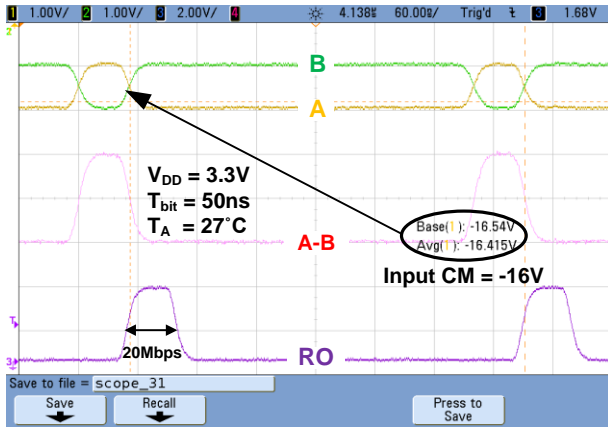
TEST CIRCUITS



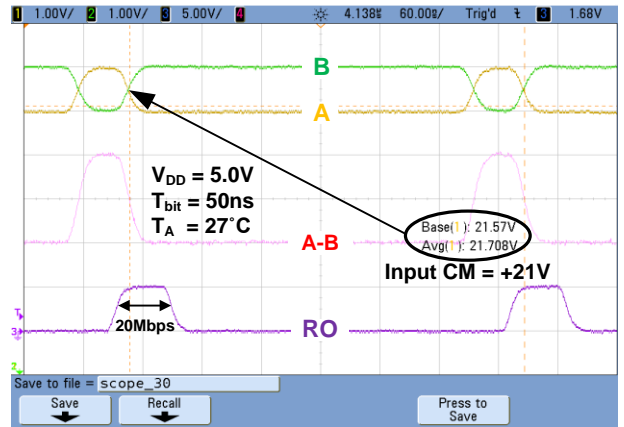


EXTENDED COMMON-MODE PERFORMANCE CHARACTERISTICS

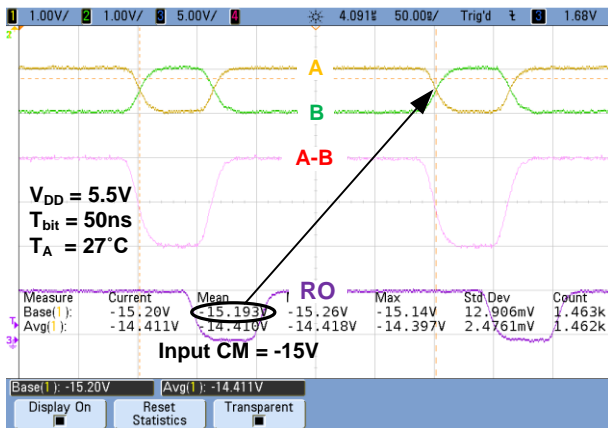
RX Extended Common-Mode Range:
Typical Supply, Maximum (-) Common-Mode



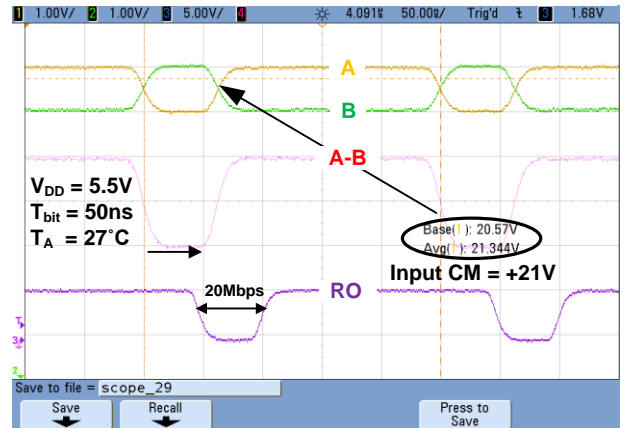
RX Extended Common-Mode Range:
Typical Supply, Maximum (+) Common-Mode



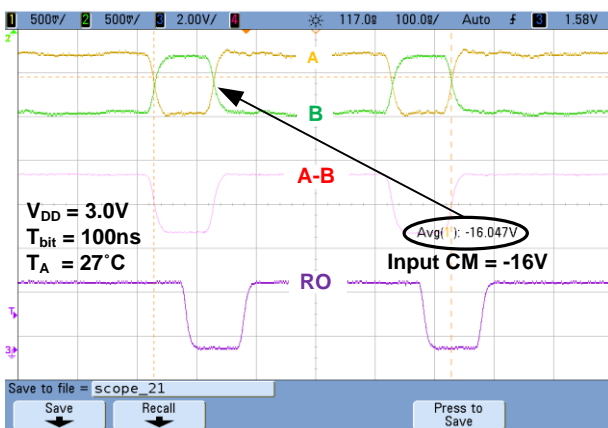
RX Extended Common-Mode Range:
Maximum Supply, Maximum (-) Common-Mode



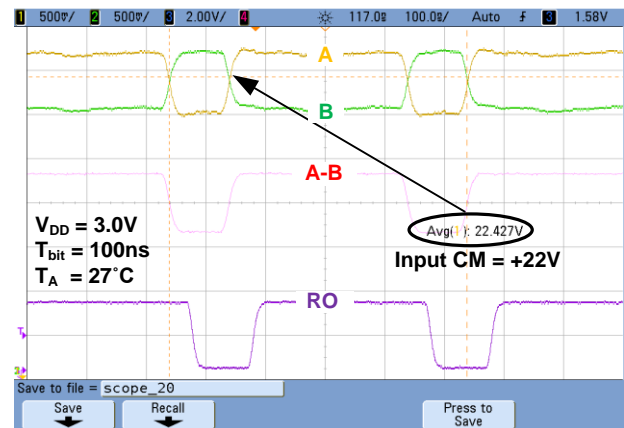
RX Extended Common-Mode Range:
Maximum Supply, Maximum (+) Common-Mode



RX Extended Common-Mode Range:
Minimum Supply, Maximum (-) Common-Mode

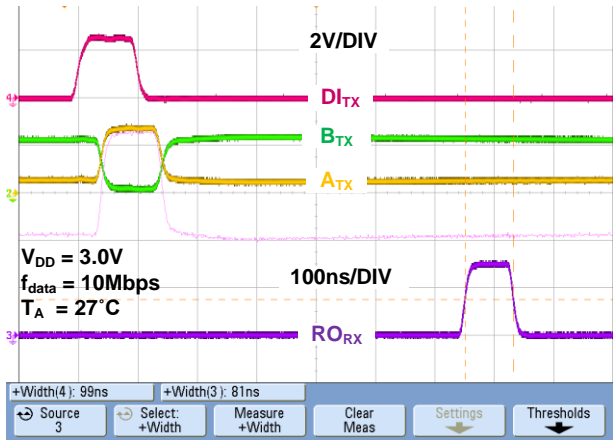


RX Extended Common-Mode Range:
Minimum Supply, Maximum (+) Common-Mode

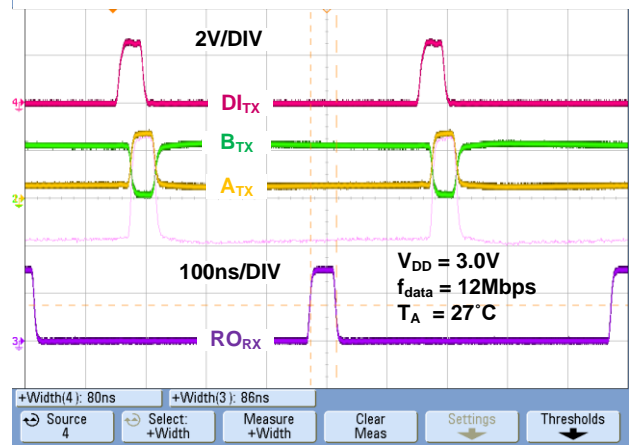


High-Speed Performance Characteristics Over Distance

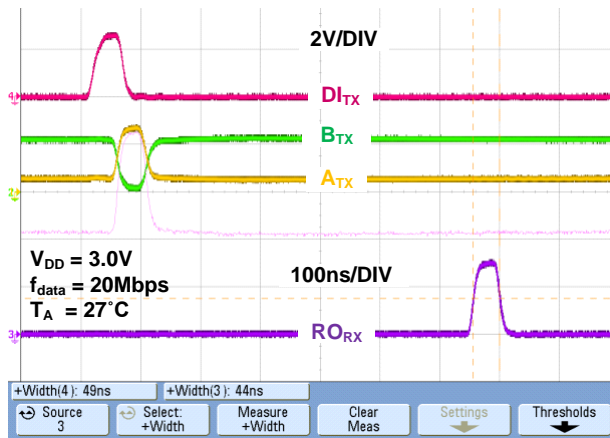
10Mbps Data Pulse Over 1000ft 2 CAT-5 UTP



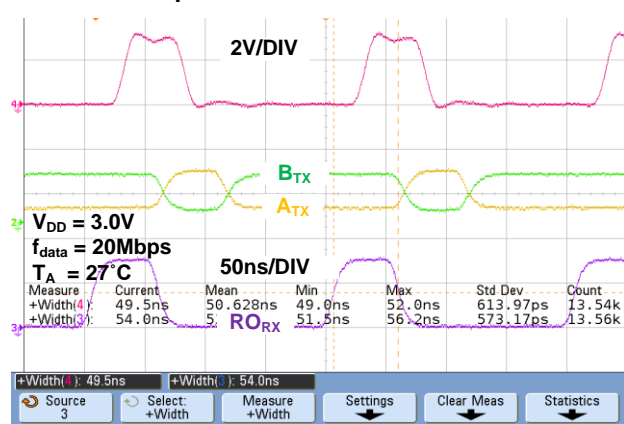
12Mbps Data Pulse Over 1000ft 2 CAT-5 UTP



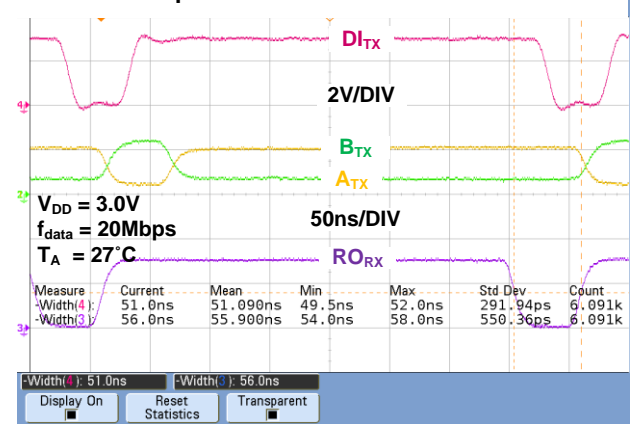
20Mbps Data Pulse Over 1000ft 2 CAT-5 UTP



20Mbps Data Over 250ft CAT-5 UTP

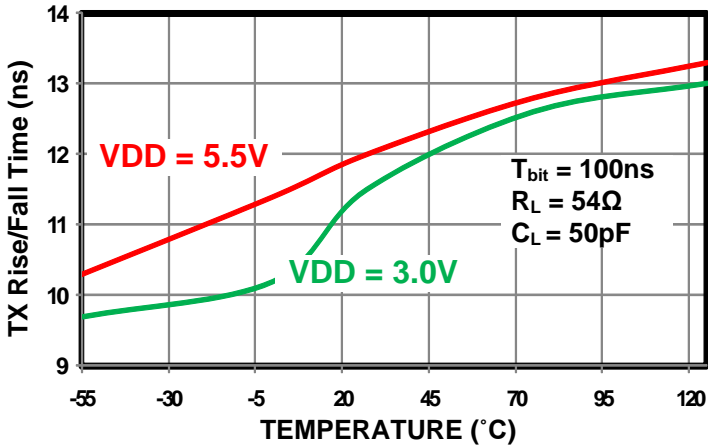


20Mbps Data Over 250ft CAT-5 UTP

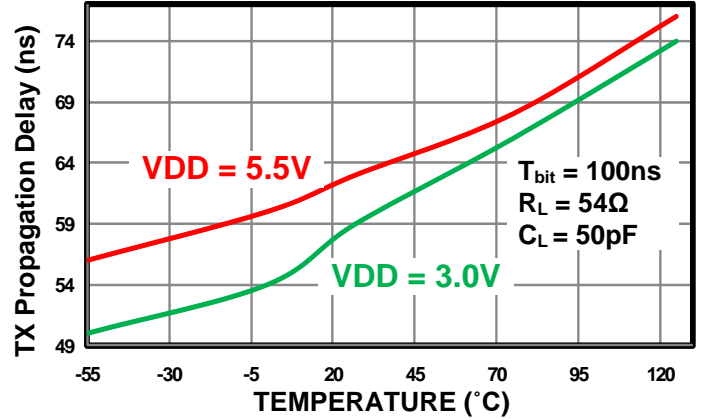


PERFORMANCE CHARACTERISTICS OVER SUPPLY AND TEMPERATURE

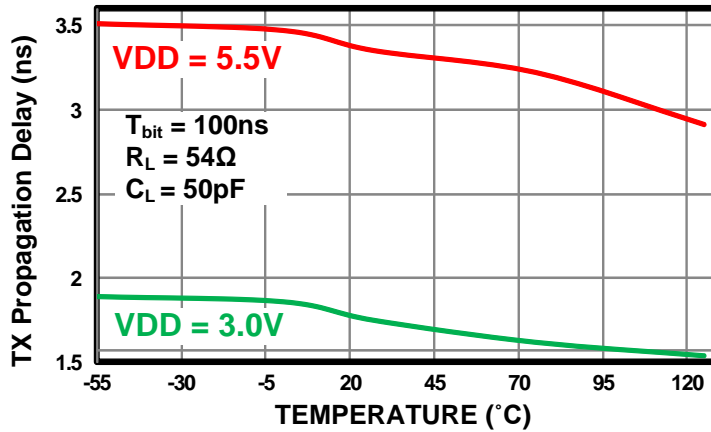
TX Differential Rise/Fall Time vs. Temperature



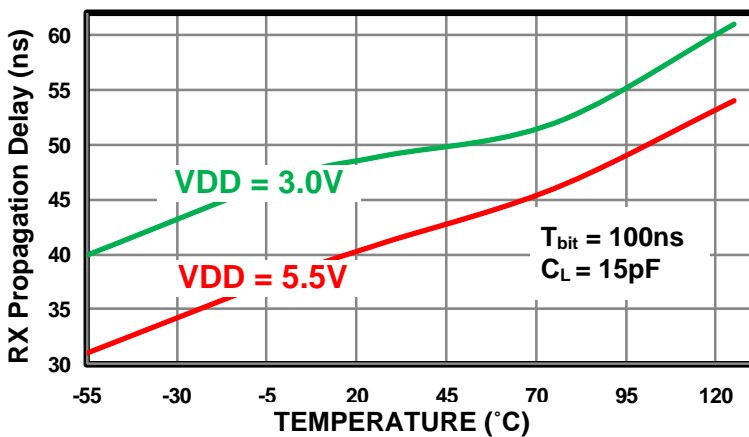
TX Differential Rise/Fall Time vs. Temperature



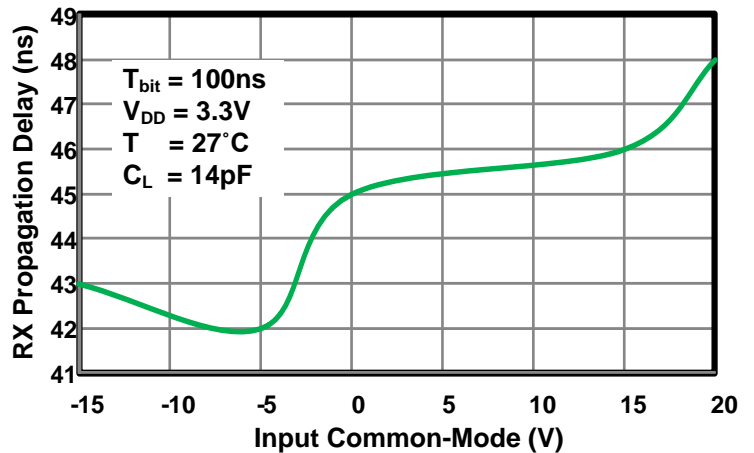
TX Differential Zero To Peak Amplitude



RX Propagation Delay vs. Temperature

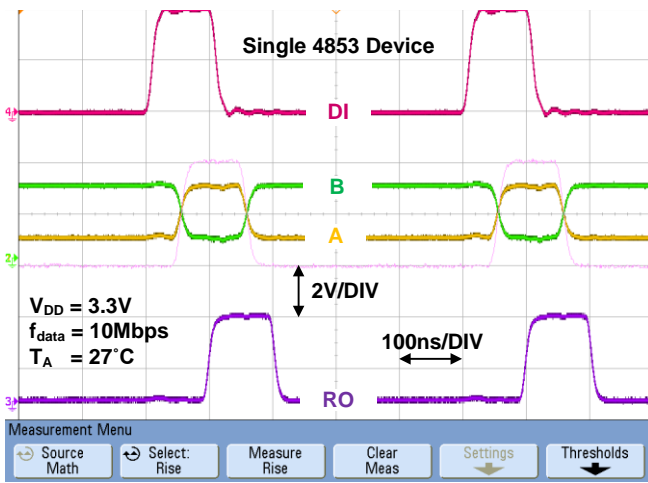


RX Propagation Delay vs. Common-Mode

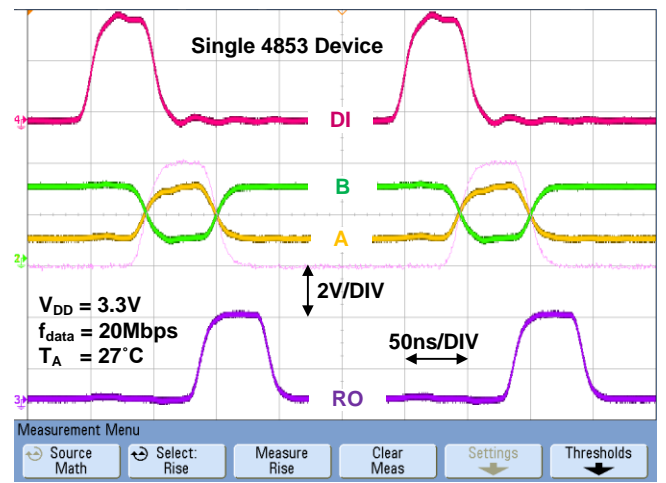


TYPICAL TRANSCEIVER PERFORMANCE CHARACTERISTICS

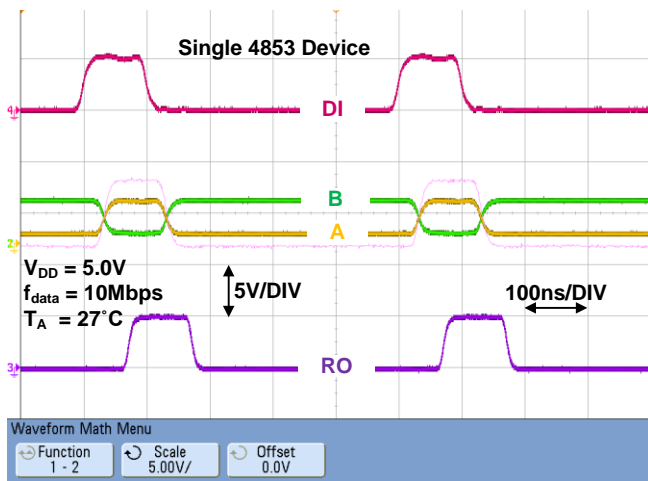
Typical 10Mb/s Operation: $R_L = 54\Omega$; $C_L = 50pF$



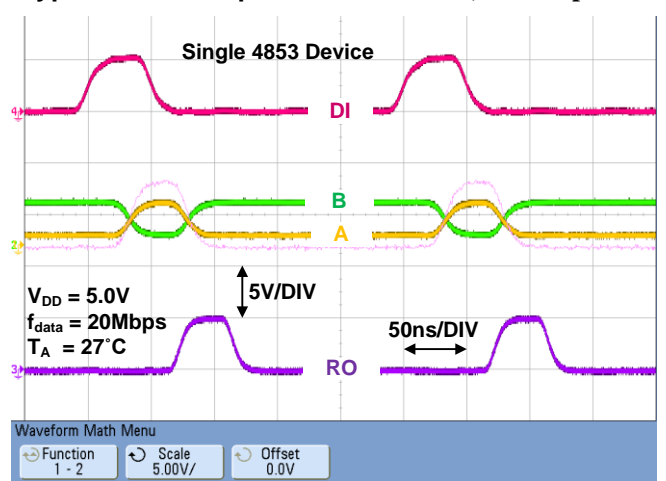
Typical 20Mb/s Operation: $R_L = 54\Omega$; $C_L = 50pF$



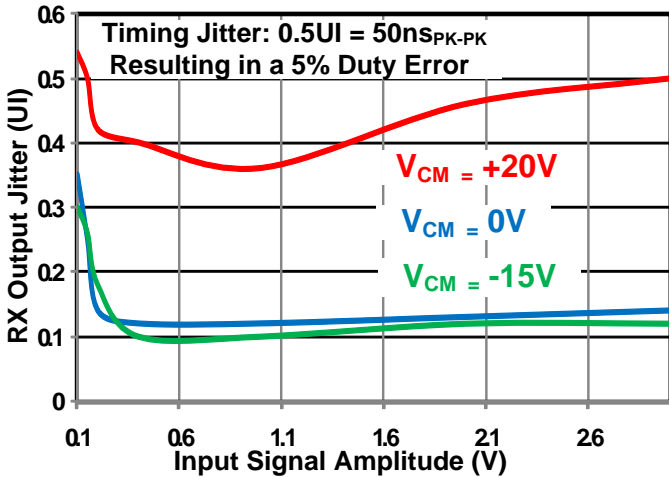
Typical 10Mb/s Operation: $R_L = 54\Omega$; $C_L = 50pF$



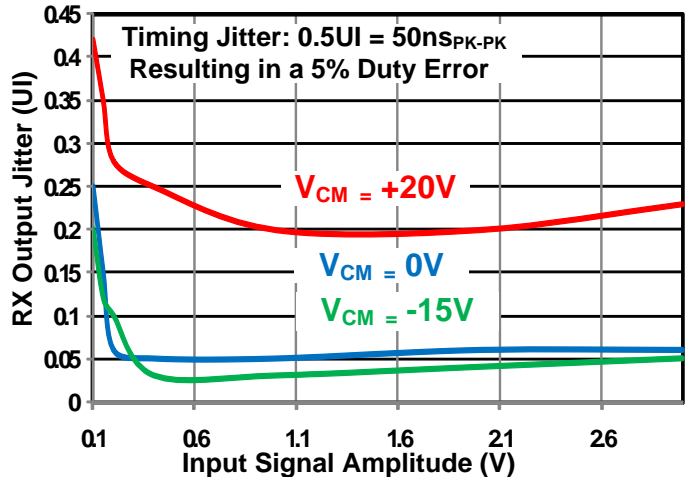
Typical 20Mb/s Operation: $R_L = 54\Omega$; $C_L = 50pF$



RX Output Jitter Over CM and Input Amplitude (5.5V)



RX Output Jitter Over CM and Input Amplitude (3.0V)



ORDERING INFORMATION

HI-485x PS H x (Plastic)

PART NUMBER	LEAD FINISH
F	100% Matte Tin (Pb-free, RoHS compliant)

PART NUMBER	PACKAGE DESCRIPTION
PS	8 PIN PLASTIC NARROW BODY SOIC (8HN) (HI-4853, HI-4854): -55°C to 175°C
PS	14 PIN PLASTIC NARROW BODY SOIC (14HN) (HI-4855 only): -55°C to 175°C

PART NUMBER	FUNCTION
4853	HALF DUPLEX TRANSCEIVER
4854	FULL DUPLEX TRANCEIVER ALWAYS ENABLED
4855	FULL DUPLEX TRANSCEIVER WITH ENABLE PINS

HI-485x CR H

PART NUMBER	PACKAGE DESCRIPTION
CR	8 PIN CERDIP (8D) not available Pb-free : -55°C to 200°C

PART NUMBER	FUNCTION
4853	HALF DUPLEX TRANSCEIVER
4854	FULL DUPLEX TRANCEIVER ALWAYS ENABLED

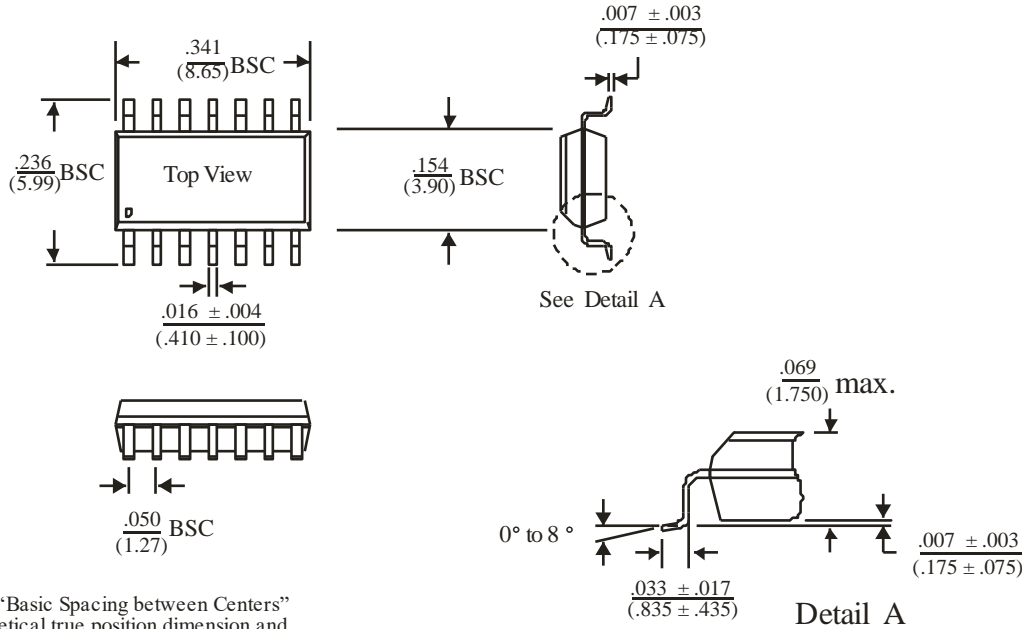
REVISION HISTORY

Revision		Date	Description of Change
DS4853H,	Rev New	09/20/2012	Initial Release
	Rev. A	02/25/2013	Correct typo on nRE pull-up resistor (should be pull-down). Update Digital Input pull-up/pull-down current. Update differential output voltage and output common mode voltage specs in DC Electrical Characteristics. Update typo in Figure 4 resistors. Update solder temperature (reflow) in Max Ratings.
	Rev. B	07/01/2016	Change Differential Input Threshold Voltage in "Receiver DC Electrical Characteristics" from -50mV to -10mV.
	Rev. C	11/08/2021	Update minimum Differential Load Resistance from 54 Ohm to 45 Ohm in Specified Operating Conditions table.

14-PIN PLASTIC SMALL OUTLINE (SOIC) - NB
(Narrow Body)

inches (millimeters)

Package Type: 14HN

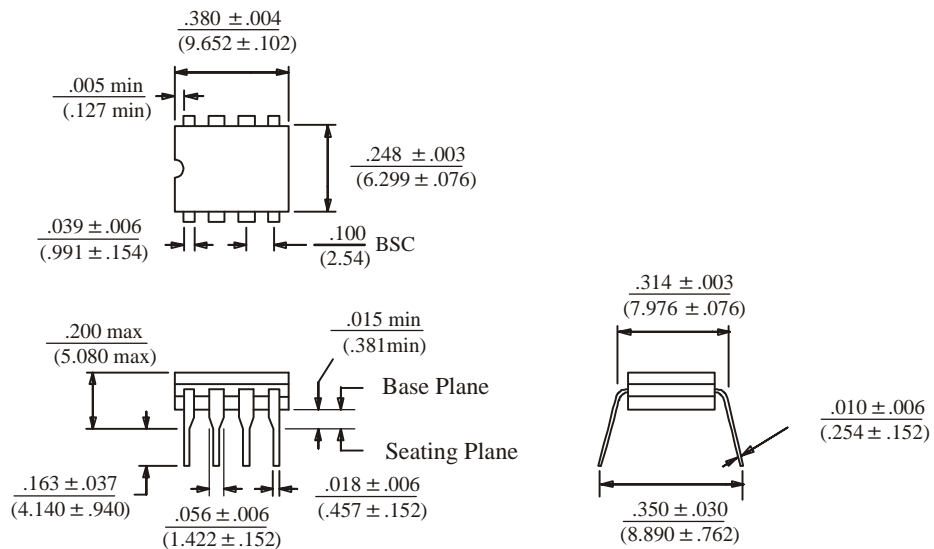


BSC = "Basic Spacing between Centers" is theoretical true position dimension and has no tolerance. (JEDEC Standard 95)

8-PIN CERDIP

inches (millimeters)

Package Type: 8D

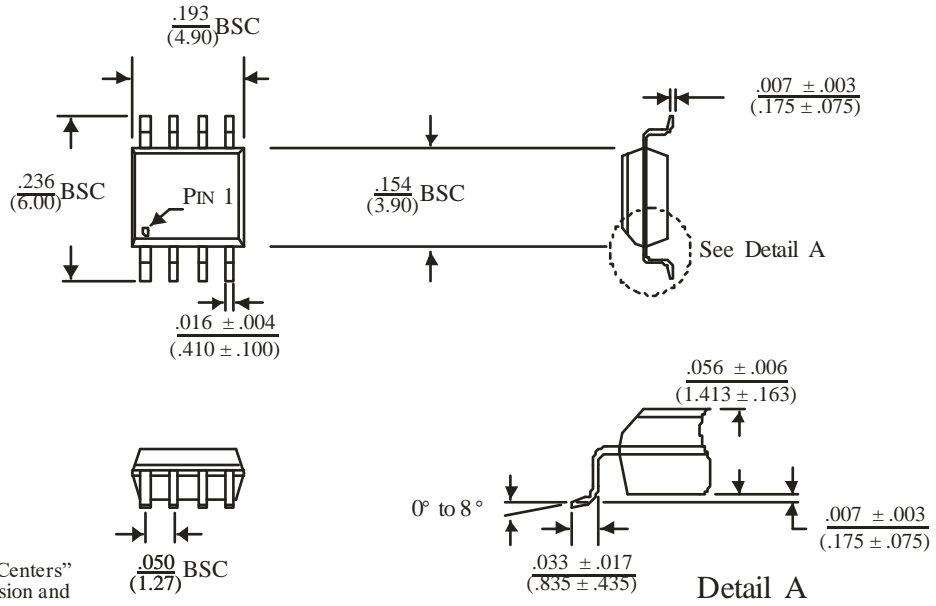


BSC = "Basic Spacing between Centers" is theoretical true position dimension and has no tolerance. (JEDEC Standard 95)

8-PIN PLASTIC SMALL OUTLINE (SOIC) - NB
(Narrow Body)

inches (millimeters)



Package Type: 8HN



BSC = "Basic Spacing between Centers" is theoretical true position dimension and has no tolerance. (JEDEC Standard 95)

Looking for pricing, stock, or lifecycle information?

Click below to explore more details on WIN SOURCE:

-  [View HI-4853PSHF on WIN SOURCE](#)
-  [Holt Integrated Circuits Inc. Information](#)

Optimize Your Supply Chain with WIN SOURCE Solutions

-  Global Sourcing Solution
-  Obsolete Management
-  Cost Control Management
-  Shortage Management
-  Alternative Solution
-  Excess Inventory Management