



**THE DATASHEET OF
5034800640**





SALES PACKAGING SPECIFICATION



LANGUAGE
JAPANESE
ENGLISH

1. 製品名称 / PRODUCT NAME : 0.5 FPC CONN. E/O BACKFLIP H=1.0MM ASSEMBLY
EMBOSSED TAPE PACKAGING

製品番号 / PART NUMBER : 5 0 3 4 8 0 - * * 0 0
5 0 3 4 8 0 - * * 2 0 (SHARP TYPE)
5 0 3 4 8 0 - 0 4 4 0 & - 0 5 4 0
(* * は極数を示す)
(* * IS CIRCUITS SIZE)

2. 標準梱包数 / STANDARD PACK QUANTITY

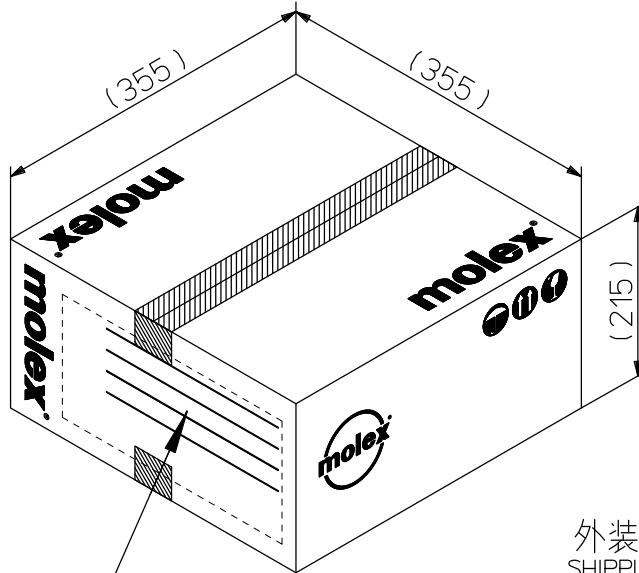
極数 CKT. SIZE	キャリア テープ幅 (mm) CARRIER TAPE WIDTH (mm)	1 リール中の製品数 QTY. PER REEL	外装カートン SHIPPING CARTON	
			梱包リール数 NUMBER OF REELS	製品数 QUANTITY
4	16	3,000	7	21,000
5				
6				
8				
10				
12				
14	24	3,000	6	18,000
16				
17				
18				
20				
22				
24				
26				
32	32	3,000	5	15,000

REV.	I					
SHEET	1~2					
REVISE ON PC ONLY		TITLE:				
I	変更 REVISED KOR2015-0144 2015/06/01 YRKIM		5 0 3 4 8 0 梱包仕様書 SALES PACKAGING SPEC. FOR 503480			
	DESCRIPTION		THIS DOCUMENT CONTAINS INFORMATION THAT IS PROPRIETARY TO MOLEX INC. AND SHOULD NOT BE USED WITHOUT WRITTEN PERMISSION			
DESIGN CONTROL	STATUS	WRITTEN BY:	CHECKED BY:	APPROVED BY:	DATE : YR/MO/DAY	
KOR		YR.KIM	KS.KIM	YSOO.KIM	2015/06/01	

DOCUMENT NUMBER	FILE NAME	SHEET
SPK-503480-001	SPK503480001.doc	1 of 2



3.カートン外形参考寸法/CARTON OUTER DIMENSIONS (REFERENCE PURPOSE ONLY)





外装カートン
SHIPPING CARTON

モレックス現品票
PART IDENTIFICATION LABEL
(製品型番、数量、ロットNO.表示)
INDICATION OF PART No., QUANTITY, LOT No.



REVISE ON PC ONLY		TITLE:	
I	SEE SHEET 1 OF 2	503480梱包仕様書 SALES PACKAGING SPEC. FOR 503480	
REV.	DESCRIPTION	THIS DOCUMENT CONTAINS INFORMATION THAT IS PROPRIETARY TO MOLEX INC. AND SHOULD NOT BE USED WITHOUT WRITTEN PERMISSION	
DOCUMENT NUMBER SPK-503480-001		FILE NAME SPK503480001.doc	SHEET 2 of 2

Looking for pricing, stock, or lifecycle information?

Click below to explore more details on WIN SOURCE:

-  [View 5034800640 on WIN SOURCE](#)
-  [Molex, LLC Information](#)

Optimize Your Supply Chain with WIN SOURCE Solutions

-  Global Sourcing Solution
-  Obsolete Management
-  Cost Control Management
-  Shortage Management
-  Alternative Solution
-  Excess Inventory Management