



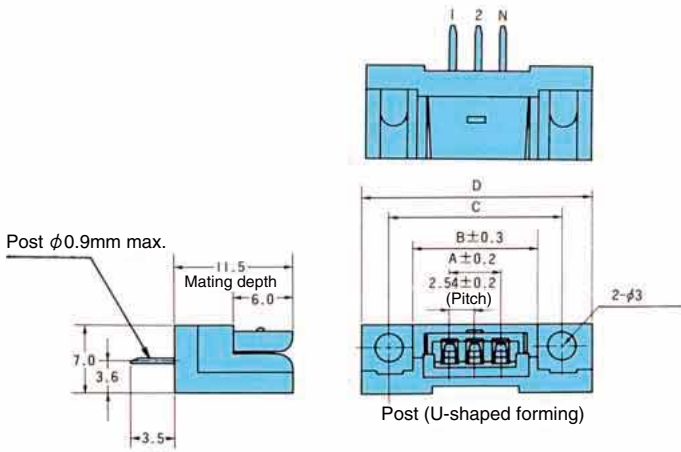
THE DATASHEET OF
009021061200339



SERIES 9021

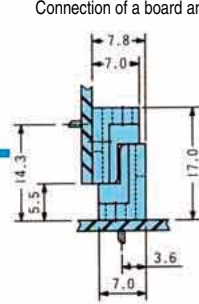
Single row type with
flange for printed
circuit boards

Vertical

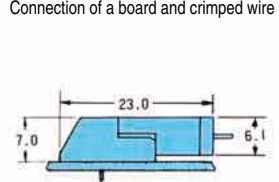


Mating dimensions

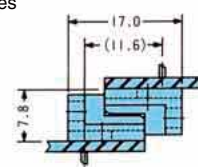
Connection of a board and board



Connection of a board and crimped wire

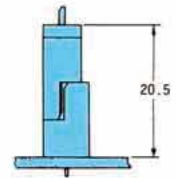


Vertical and Vertical types



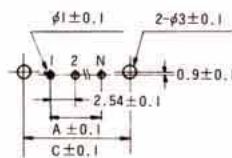
Vertical and Right Angle types

Right Angle and
Right Angle types

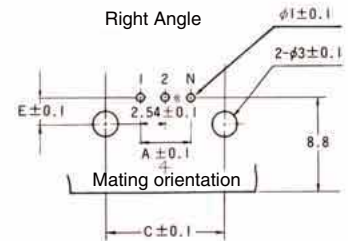


Mounting dimensions on the P.C.board

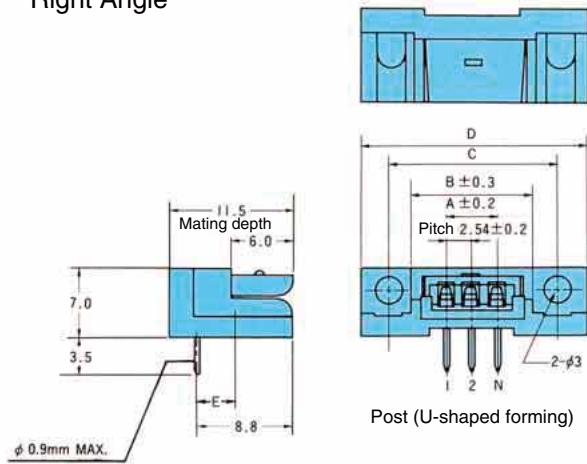
Vertical



Right Angle



Right Angle



Post (U-shaped forming)

No. of positions	A	B	C	D	E	Remarks
6	12.70	20.70	25.65	31.7	2.4	With the locking structure
12	27.94	35.94	40.89	46.9	2.4	
16	38.10	46.10	51.05	57.1	2.4	
20	48.26	56.26	61.21	67.3	3.3	No locking structure

Ordering code

Part number

00 9021 0613 00 339

No. of positions

6,12,16,20

Variation(Terminating type)

13 : Right Angle

14 : Vertical

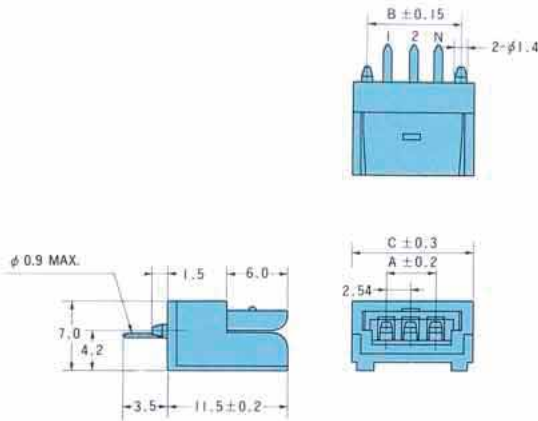
Plating code

339 : Au plated

SERIES 9021

Single row type with
no flange for printed
circuit boards

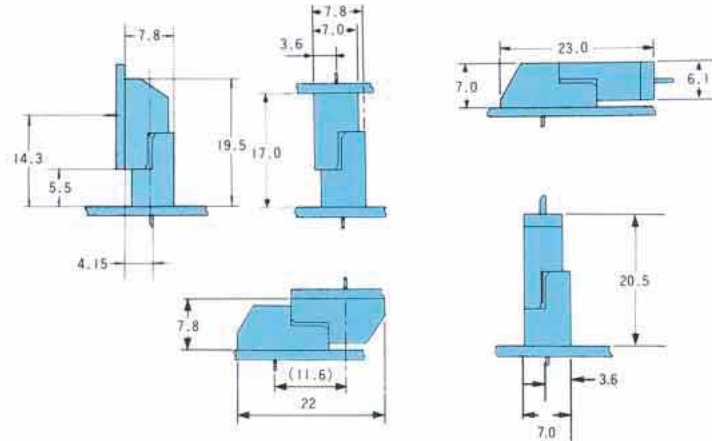
Vertical



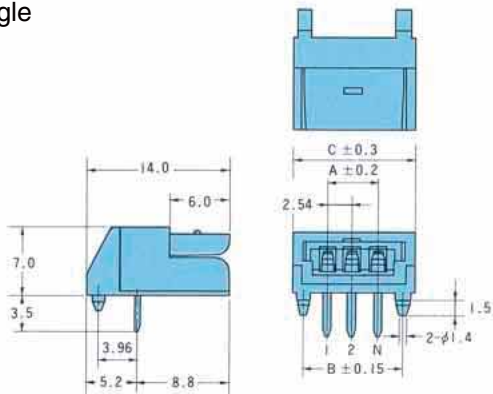
Mating dimensions

Connection of a board and board

Connection of a board and crimped wire

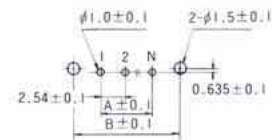


Right Angle

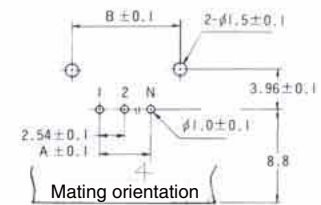


Mounting dimensions on the P.C.board

Vertical



Right Angle



No. of positions	A	B	C	Remarks
2	2.54	7.62	10.54	With the locking structure
3	5.08	11.58	13.08	
4	7.62	12.70	15.62	
6	12.70	17.78	20.70	
8	17.78	22.86	25.78	
10	22.86	27.94	30.86	
12	27.94	33.02	35.94	
14	33.02	38.10	41.02	
16	38.10	43.18	46.10	
18	43.18	48.26	51.18	
20	48.26	53.34	56.26	No locking structure

Ordering code

Part number **00 9021 0211 00 339**

No. of positions

2,3,4,6,8,10,12,14,16,18,20

Variation(Terminating type)

11 : Right Angle

12 : Vertical

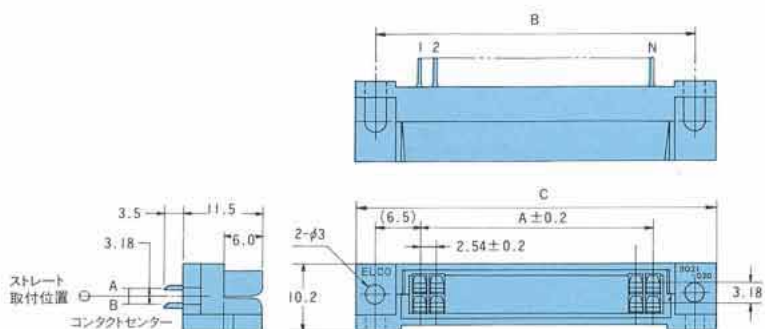
Plating code

339 : Au plated

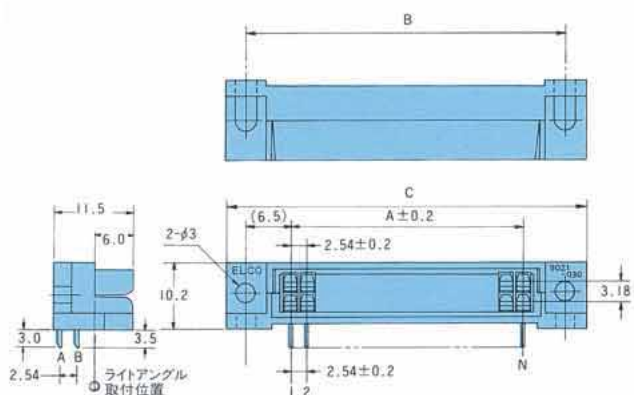
SERIES 9021

Dual type for
printed circuit boards

Vertical

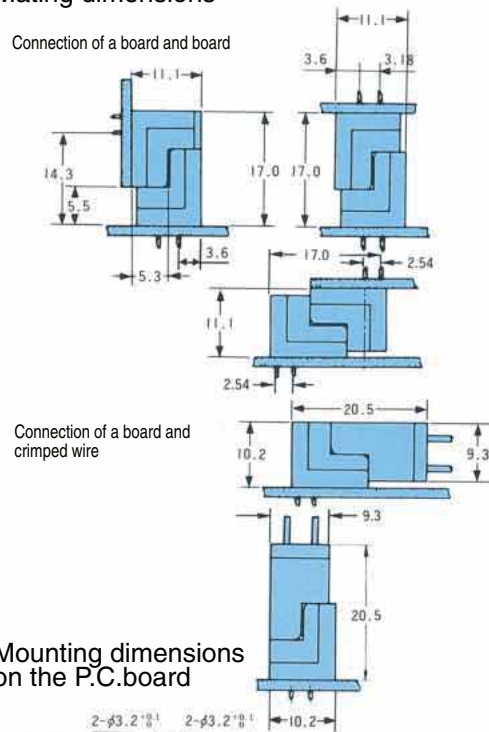


Right Angle

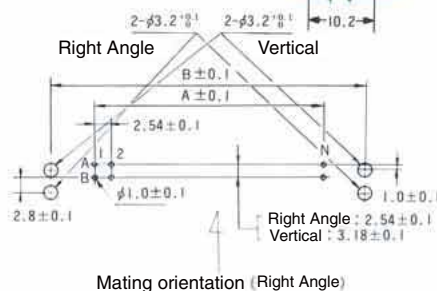


No. of positions	A	B	C
14 (7 / 7)	15.24	—	23.24
20 (10/10)	22.86	35.81	41.9
26 (13/13)	30.48	43.43	49.5
30 (15/15)	35.56	48.51	54.6
36 (18/18)	43.18	56.13	62.2
40 (20/20)	48.26	61.21	67.3

Mating dimensions



Mounting dimensions
on the P.C.board



Ordering code

Part number **00 9021 1421 00 339**

No. of positions

14,20,26,30,36,40

Variation(Terminating type)

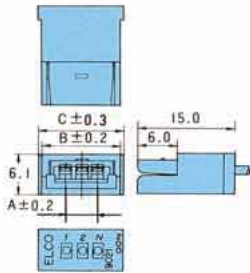
21	Right Angle type with no flange (only for 14-contact)
22	Vertical type with no flange (only for 14-contact)
23	Right Angle type with the flange
24	Vertical type with the flange

Plating code

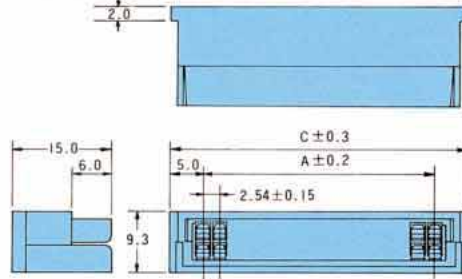
339 : Au plated

Crimp type

Single type



Dual type



Single type

No. of positions	A	B	C
2	2.54	10.54	12.5
3	5.08	13.08	15.1
4	7.62	15.62	17.6
6	12.70	20.70	22.7
8	17.78	25.78	27.8
10	22.86	30.86	32.9
12	27.94	35.94	37.9
14	33.02	41.02	43.0
16	38.10	46.10	48.1
18	43.18	51.18	53.2
20	48.26	56.26	58.2

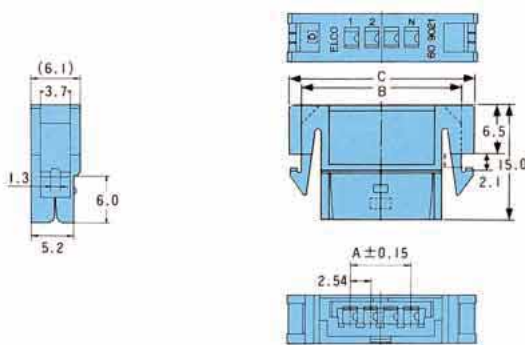
Dual type

No. of positions	A	C
14 (7 / 7)	15.24	23.30*
20 (10/10)	22.86	32.86
26 (13/13)	30.48	40.48
30 (15/15)	35.56	45.56
36 (18/18)	43.18	53.18
40 (20/20)	48.26	58.26

*with no flange

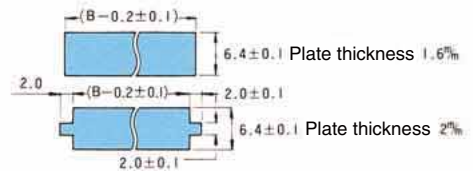
(Note) the location of flange for 14-position type is different from others.

Panel mounted type



No. of positions	A	B	C
2	2.54	15.74	19.34
3	5.08	18.28	21.88
4	7.62	20.82	24.42
6	12.70	25.90	29.50
8	17.78	30.98	34.58
10	22.86	36.06	39.66
12	27.94	41.14	44.74

Shape of the panel to be mounted



Ordering code

Crimp type

Part number **60 9021 3024 10 000**

No. of positions

Single type : **2,3,4,6,8,10,12,14,16,18,20**

Dual type : **14,20,26,30,36,40**

Variation

1 : Single type

2 : Dual type

Color code

000 : Green

Panel mounted type

Part number **60 9021 3028 16 000**

No. of positions

2,3,4,6,8,10,12

Color code

000:Green 001:White 002:Black

Contact

Part number **60 9021 0313 00 339**

Variation

0313 00 : Contacts loose

0323 99 : Reeled Contacts(10,000 contacts per reel)

Plating code

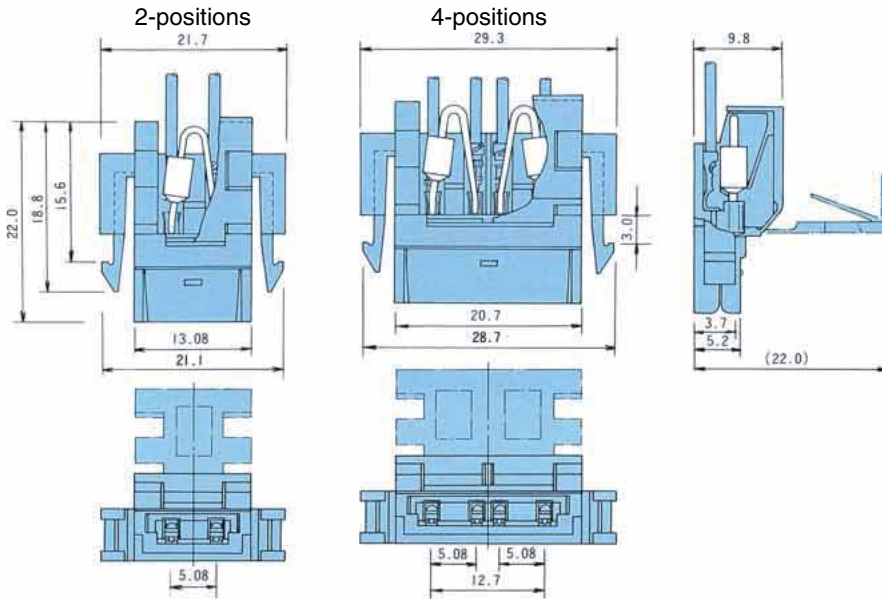
339 : Au plated

SERIES
9021
Insulator

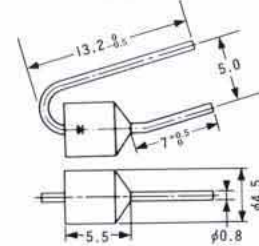
SERIES 9021

Surge killer

Insulator



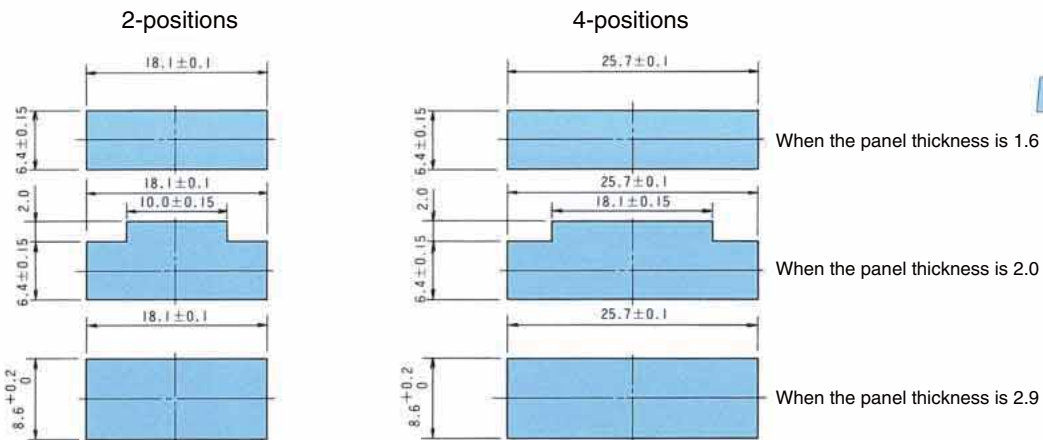
Diode



Recommended diode

Z-1047(1401-0728)manufactures by Ishizuka Electronics Corp.

Shape of the panel to be mounted



Contact



Ordering code

Insulator

Part number **60 9021 3038 17 002**

No. of positions

- 03** : 2-positions (Mating with a 3-positions connector)
- 06** : 4-positions (Mating with a 6-positions connector)

Contact

Part number **60 9021 0527 00 392**

Variation

- 00** : Contacts loose
- 99** : Reeled Contacts(3,000 contacts per reel)

Plating code




392 : 2μm or thicker of silver (Ag) plated

Looking for pricing, stock, or lifecycle information?

Click below to explore more details on WIN SOURCE:

-  [View 009021061200339 on WIN SOURCE](#)
-  [AVX Corp/Kyocera Corp](#) Information

Optimize Your Supply Chain with WIN SOURCE Solutions

-  Global Sourcing Solution
-  Obsolete Management
-  Cost Control Management
-  Shortage Management
-  Alternative Solution
-  Excess Inventory Management