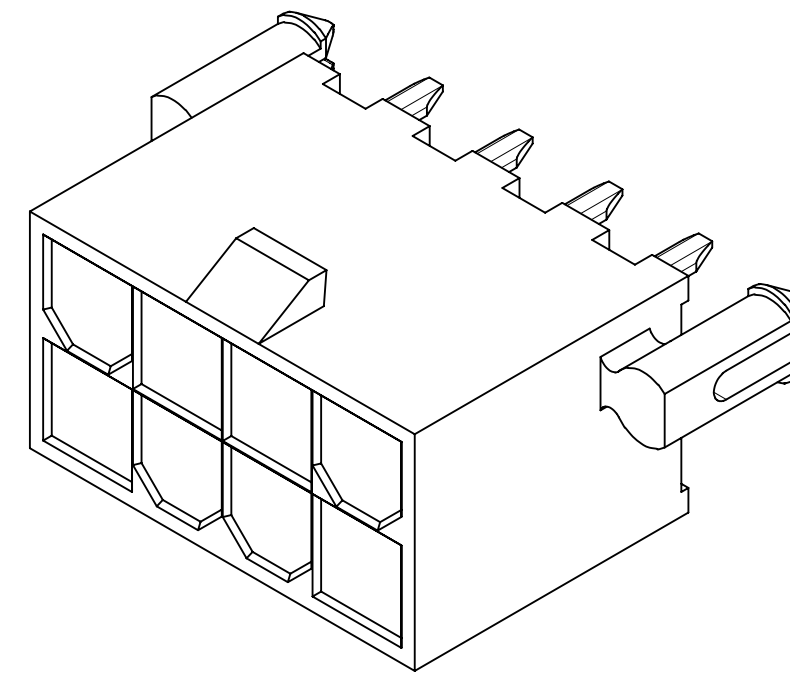


RECOMMENDED HOLE LAYOUT FOR .070/(1.78) MAX. THICK P.C. BOARD

VIEWED FROM COMPONENT SIDE



8 CKT SHOWN

CIRCUIT SIZE	DIM. "A"	DIM. "B"	DIM. "C"
2	—	.21 (5.4)	.370 (9.40)
4	.17 (4.2)	.38 (9.6)	.535 (13.60)
6	.33 (8.4)	.54 (13.8)	.701 (17.80)
8	.50 (12.6)	.71 (18.0)	.866 (22.00)
10	.66 (16.8)	.87 (22.2)	1.031 (26.20)
12	.83 (21.0)	1.04 (26.4)	1.197 (30.40)
14	.99 (25.2)	1.20 (30.6)	1.362 (34.60)
16	1.16 (29.4)	1.37 (34.8)	1.528 (38.80)
18	1.32 (33.6)	1.54 (39.0)	1.693 (43.00)
20	1.49 (37.8)	1.70 (43.2)	1.858 (47.20)
22	1.65 (42.0)	1.87 (47.4)	2.024 (51.40)
24	1.82 (46.2)	2.03 (51.6)	2.189 (55.60)

NOTES:

1) HOUSING MATERIAL:

- "BLANK" - NYLON, UNFILLED U.L. 94V-2, COLOR: NATURAL.
- 210 - NYLON, UNFILLED U.L. 94V-0, COLOR: NATURAL.
- BL - NYLON, UNFILLED U.L. 94V-2, COLOR: BLACK.
- 400 - NYLON, UNFILLED U.L. 94V-0, COLOR: BLACK.

TERMINAL MATERIAL: BRASS

2) TERMINAL PLATING:

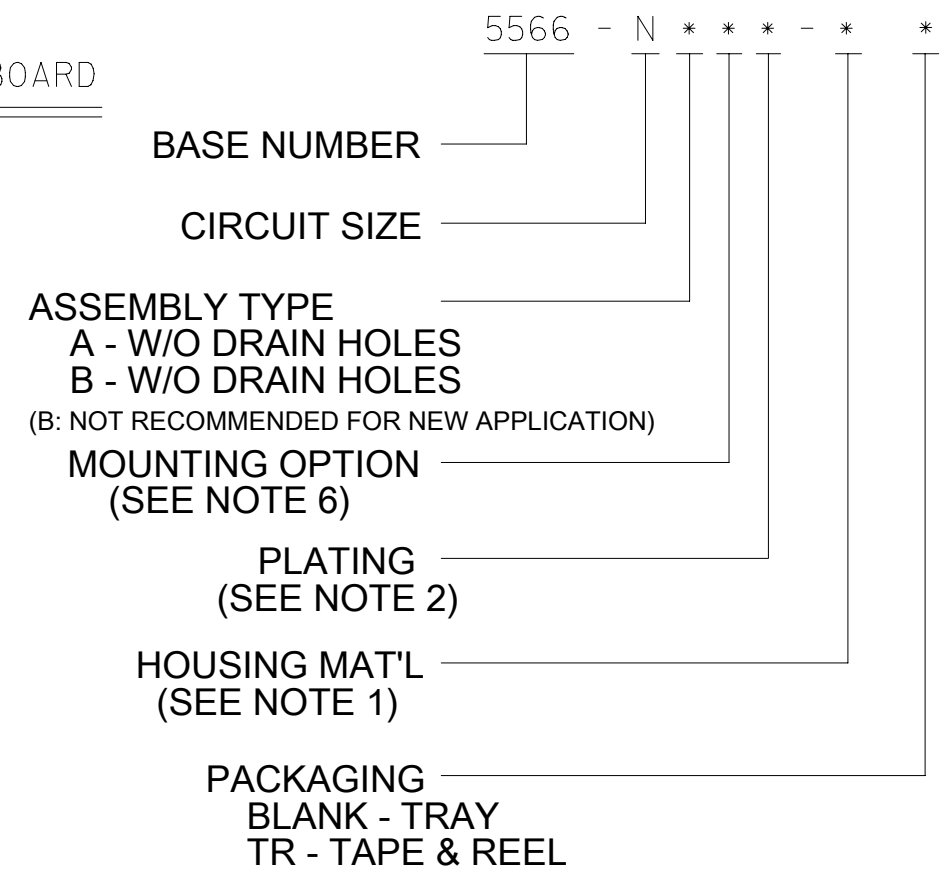
- "BLANK" - .000035/(.00090) MIN. REFLOWED MATTE TIN OVER .000020/(.00050) MIN. COPPER. (PREPLATE) (FINISH IS BRIGHT IN APPEARANCE, THICKNESS AS APPLIED PRIOR TO REFLOW)
- GS - .000030/(.00076) MIN. SELECT GOLD .000100/(.00254) MIN. SELECT MATTE TIN OVER .000050/(.00127) MIN. NICKEL OVERALL.
- GS2 - .000015/(.00038) MIN. SELECT GOLD AND .000100/(.00254) MIN. SELECT MATTE TIN OVER .000050/(.00127) MIN. NICKEL OVERALL.
- S - .000100/(.00254) MIN. BRIGHT TIN OVER .000050/(.00127) MIN. NICKEL OVERALL.
- MS - .000100/(.00254) MIN. MATTE TIN OVER .000050/(.00127) MIN. NICKEL OVERALL.

- 3) PRODUCT SPECIFICATION: PS-5556-001
- 4) PACKAGING: SEE CHARTS
- 5) PART MATES WITH MINI-FIT JR. RECEPTACLE #5557.
- 6) MOUNTING OPTIONS:  
"BLANK" - NO MOUNTING (SEE SD-5566-002 DWG.)  
2 - PEG MOUNT

7. PART CONFORMS TO CLASS "B" REQUIREMENTS OF COSMETIC SPECIFICATION PS-45499-002

- 8. ANTI-SHINGLING RIB MAY OR MAY NOT APPEAR ON HOUSINGS.
- 9. CONNECTORS ARE NOT TO BE MATED OR UNMATED WHILE CIRCUITS ARE LIVE.
- 10. PARTS ARE NOT DESIGNED FOR CURRENT SHARING.

LEGEND:



THIS DRAWING CONTAINS INFORMATION THAT IS PROPRIETARY TO MOLEX ELECTRONIC TECHNOLOGIES, LLC AND SHOULD NOT BE USED WITHOUT WRITTEN PERMISSION									
DIMENSION UNITS <b>IN/MM</b>		SCALE <b>NTS</b>		CURRENT REV DESC:				<b>molex</b>	
GENERAL TOLERANCES (UNLESS SPECIFIED)				EC NO: 784313					
				DRWN: JERRYW8 2023/08/10				MINIFIT JR VERT HDR ASSY'S W/ PEGS	
				CHK'D: XQZHANG 2024/09/11					
				APPR: XQZHANG 2024/09/11				PRODUCT CUSTOMER DRAWING	
				INITIAL REVISION:					
				DRWN: RJF 1987/08/19				DOCUMENT NUMBER <b>55660021-SD</b>	
				APPR: FSMITH 2012/01/10					
				THIRD ANGLE PROJECTION		DRAWING		SERIES	
DRAFT WHERE APPLICABLE MUST REMAIN WITHIN DIMENSIONS				C-SIZE		5566		MATERIAL NUMBER SEE TABLE	
				CUSTOMER		GENERAL MARKET		SHEET NUMBER 1 OF 4	

THIS DRAWING REPLACES SDA-5566-N\*2\*.\*

DOCUMENT STATUS	P1	RELEASE DATE	2024/09/11	06:39:17
-----------------	----	--------------	------------	----------

12				11				10				9				8				7				6				5				4				3				2				1			
PLATING:				35 M.I. TIN				PLATING:				35 M.I. TIN				PLATING:				30 M.I. GOLD				PLATING:				30 M.I. GOLD																			
DRAIN HOLES:				WITHOUT DRAIN HOLES				DRAIN HOLES:				WITHOUT DRAIN HOLES				DRAIN HOLES:				WITHOUT DRAIN HOLES				DRAIN HOLES:				WITHOUT DRAIN HOLES																			
MTG. OPTION:				WITH PEGS				MTG. OPTION:				WITH PEGS				MTG. OPTION:				WITH PEGS				MTG. OPTION:				WITH PEGS																			
HOUSING MAT'L:				NYLON 6/6 94V-2 NATURAL				HOUSING MAT'L:				NYLON 6/6 94V-0 NATURAL				HOUSING MAT'L:				NYLON 6/6 94V-2 NATURAL				HOUSING MAT'L:				NYLON 6/6 94V-0 NATURAL																			
PACKAGING:				PK-5566-001				PACKAGING:				PK-5566-001				PACKAGING:				PK-5566-001				PACKAGING:				PK-5566-001																			
PART NO.	ENG NO.	CKTS		PART NO.	ENG NO.	CKTS		PART NO.	ENG NO.	CKTS		PART NO.	ENG NO.	CKTS		PART NO.	ENG NO.	CKTS		PART NO.	ENG NO.	CKTS																									
39-29-9023	5566 -02A2	2		39-29-9027	5566 -02A2-210	2		39-29-9025	5566 -02A2GS	2		39-29-9029	5566 -02A2GS-210	2		39-29-9029	5566 -02A2GS-210	2		39-29-9029	5566 -02A2GS-210	2																									
39-29-9043	5566 -04A2	4		39-29-9047	5566 -04A2-210	4		39-29-9045	5566 -04A2GS	4		39-29-9049	5566 -04A2GS-210	4		39-29-9049	5566 -04A2GS-210	4		39-29-9049	5566 -04A2GS-210	4																									
39-29-9063	5566 -06A2	6		39-29-9067	5566 -06A2-210	6		39-29-9065	5566 -06A2GS	6		39-29-9069	5566 -06A2GS-210	6		39-29-9069	5566 -06A2GS-210	6		39-29-9069	5566 -06A2GS-210	6																									
39-29-9083	5566 -08A2	8		39-29-9087	5566 -08A2-210	8		39-29-9085	5566 -08A2GS	8		39-29-9089	5566 -08A2GS-210	8		39-29-9089	5566 -08A2GS-210	8		39-29-9089	5566 -08A2GS-210	8																									
39-29-9103	5566 -10A2	10		39-29-9107	5566 -10A2-210	10		39-29-9105	5566 -10A2GS	10		39-29-9109	5566 -10A2GS-210	10		39-29-9109	5566 -10A2GS-210	10		39-29-9109	5566 -10A2GS-210	10																									
39-29-9123	5566 -12A2	12		39-29-9127	5566 -12A2-210	12		39-29-9125	5566 -12A2GS	12		39-29-9129	5566 -12A2GS-210	12		39-29-9129	5566 -12A2GS-210	12		39-29-9129	5566 -12A2GS-210	12																									
39-29-9143	5566 -14A2	14		39-29-9147	5566 -14A2-210	14		39-29-9145	5566 -14A2GS	14		39-29-9149	5566 -14A2GS-210	14		39-29-9149	5566 -14A2GS-210	14		39-29-9149	5566 -14A2GS-210	14																									
39-29-9163	5566 -16A2	16		39-29-9167	5566 -16A2-210	16		39-29-9165	5566 -16A2GS	16		39-29-9169	5566 -16A2GS-210	16		39-29-9169	5566 -16A2GS-210	16		39-29-9169	5566 -16A2GS-210	16																									
39-29-9183	5566 -18A2	18		39-29-9187	5566 -18A2-210	18		39-29-9185	5566 -18A2GS	18		39-29-9189	5566 -18A2GS-210	18		39-29-9189	5566 -18A2GS-210	18		39-29-9189	5566 -18A2GS-210	18																									
39-29-9203	5566 -20A2	20		39-29-9207	5566 -20A2-210	20		39-29-9205	5566 -20A2GS	20		39-29-9209	5566 -20A2GS-210	20		39-29-9209	5566 -20A2GS-210	20		39-29-9209	5566 -20A2GS-210	20																									
39-29-9223	5566 -22A2	22		39-29-9227	5566 -22A2-210	22		39-29-9225	5566 -22A2GS	22		39-29-9229	5566 -22A2GS-210	22		39-29-9229	5566 -22A2GS-210	22		39-29-9229	5566 -22A2GS-210	22																									
39-29-9243	5566 -24A2	24		39-29-9247	5566 -24A2-210	24		39-29-9245	5566 -24A2GS	24		39-29-9249	5566 -24A2GS-210	24		39-29-9249	5566 -24A2GS-210	24		39-29-9249	5566 -24A2GS-210	24																									
	-				-				-				-				-				-																										

12				11				10				9				8				7				6				5				4				3				2				1			
PLATING:				35 M.I. TIN				PLATING:				35 M.I. TIN				PLATING:				30 M.I. GOLD				PLATING:				30 M.I. GOLD																			
DRAIN HOLES:				WITHOUT DRAIN HOLES				DRAIN HOLES:				WITHOUT DRAIN HOLES				DRAIN HOLES:				WITHOUT DRAIN HOLES				DRAIN HOLES:				WITHOUT DRAIN HOLES																			
MTG. OPTION:				WITH PEGS				MTG. OPTION:				WITH PEGS				MTG. OPTION:				WITH PEGS				MTG. OPTION:				WITH PEGS																			
HOUSING MAT'L:				NYLON 6/6 94V-2 NATURAL				HOUSING MAT'L:				NYLON 6/6 94V-0 NATURAL				HOUSING MAT'L:				NYLON 6/6 94V-2 NATURAL				HOUSING MAT'L:				NYLON 6/6 94V-0 NATURAL																			
PACKAGING:				PK-5566-001				PACKAGING:				PK-5566-001				PACKAGING:				PK-5566-001				PACKAGING:				PK-5566-001																			
PART NO.	ENG NO.	CKTS		PART NO.	ENG NO.	CKTS		PART NO.	ENG NO.	CKTS		PART NO.	ENG NO.	CKTS		PART NO.	ENG NO.	CKTS		PART NO.	ENG NO.	CKTS																									
	5566 -02B2	2	*		5566 -02B2-210	2	*		5566 -02B2GS	2	*		5566 -02B2GS-210	2	*		5566 -02B2GS-210	2	*		5566 -02B2GS-210	2	*																								
<b>39-29-9042</b>	5566 -04B2	4	*	<b>39-29-9046</b>	5566 -04B2-210	4	*	<b>39-29-9044</b>	5566 -04B2GS	4	*	<b>39-28-9048</b>	5566 -04B2GS-210	4	*	<b>39-28-9048</b>	5566 -04B2GS-210	4	*	<b>39-28-9048</b>	5566 -04B2GS-210	4	*																								
<b>39-29-9062</b>	5566 -06B2	6	*	<b>39-29-9066</b>	5566 -06B2-210	6	*	<b>39-29-9064</b>	5566 -06B2GS	6	*	<b>39-28-9068</b>	5566 -06B2GS-210	6	*	<b>39-28-9068</b>	5566 -06B2GS-210	6	*	<b>39-28-9068</b>	5566 -06B2GS-210	6	*																								
<b>39-29-9082</b>	5566 -08B2	8	*	<b>39-29-9086</b>	5566 -08B2-210	8	*	<b>39-29-9084</b>	5566 -08B2GS	8	*	<b>39-28-9088</b>	5566 -08B2GS-210	8	*	<b>39-28-9088</b>	5566 -08B2GS-210	8	*	<b>39-28-9088</b>	5566 -08B2GS-210	8	*																								
<b>39-29-9102</b>	5566 -10B2	10	*	<b>39-29-9106</b>	5566 -10B2-210	10	*	<b>39-29-9104</b>	5566 -10B2GS	10	*	<b>39-28-9108</b>	5566 -10B2GS-210	10	*	<b>39-28-9108</b>	5566 -10B2GS-210	10	*	<b>39-28-9108</b>	5566 -10B2GS-210	10	*																								
<b>39-29-9122</b>	5566 -12B2	12	*	<b>39-29-9126</b>	5566 -12B2-210	12	*	<b>39-29-9124</b>	5566 -12B2GS	12	*	<b>39-28-9128</b>	5566 -12B2GS-210	12	*	<b>39-28-9128</b>	5566 -12B2GS-210	12	*	<b>39-28-9128</b>	5566 -12B2GS-210	12	*																								
<b>39-29-9142</b>	5566 -14B2	14	*	<b>39-29-9146</b>	5566 -14B2-210	14	*	<b>39-29-9144</b>	5566 -14B2GS	14	*	<b>39-28-9148</b>	5566 -14B2GS-210	14	*	<b>39-28-9148</b>	5566 -14B2GS-210	14	*	<b>39-28-9148</b>	5566 -14B2GS-210	14	*																								
<b>39-29-9162</b>	5566 -16B2	16	*	<b>39-29-9166</b>	5566 -16B2-210	16	*	<b>39-29-9164</b>	5566 -16B2GS	16	*	<b>39-28-9168</b>	5566 -16B2GS-210	16	*	<b>39-28-9168</b>	5566 -16B2GS-210	16	*	<b>39-28-9168</b>	5566 -16B2GS-210	16	*																								
<b>39-29-9182</b>	5566 -18B2	18	*	<b>39-29-9186</b>	5566 -18B2-210	18	*	<b>39-29-9184</b>	5566 -18B2GS	18	*	<b>39-28-9188</b>	5566 -18B2GS-210	18	*	<b>39-28-9188</b>	5566 -18B2GS-210	18	*	<b>39-28-9188</b>	5566 -18B2GS-210	18	*																								
<b>39-29-9202</b>	5566 -20B2	20	*	<b>39-29-9206</b>	5566 -20B2-210	20	*	<b>39-29-9204</b>	5566 -20B2GS	20	*	<b>39-28-9208</b>	5566 -20B2GS-210	20	*	<b>39-28-9208</b>	5566 -20B2GS-210	20	*	<b>39-28-9208</b>	5566 -20B2GS-210	20	*																								
<b>39-29-9222</b>	5566 -22B2	22	*		5566 -22B2-210	22	*	<b>39-29-9224</b>	5566 -22B2GS	22	*		5566 -22B2GS-210	22	*		5566 -22B2GS-210	22	*		5566 -22B2GS-210	22	*																								
<b>39-29-9242</b>	5566 -24B2	24	*	<b>39-29-9246</b>	5566 -24B2-210	24	*	<b>39-29-9244</b>	5566 -24B2GS	24	*	<b>39-28-9248</b>	5566 -24B2GS-210	24	*	<b>39-28-9248</b>	5566 -24B2GS-210	24	*	<b>39-28-9248</b>	5566 -24B2GS-210	24	*																								
	-				-				-				-				-				-																										

PART NUMBERS MARKED IN "\*" IN THIS SHEET ARE NOT RECOMMENDED FOR NEW APPLICATION.  
 ALL WITH DRAIN HOLE VERSION PRODUCTS ARE CHANGED TO WITHOUT DRAIN HOLE VERSION PRODUCTS.

THIS DRAWING CONTAINS INFORMATION THAT IS PROPRIETARY TO MOLEX ELECTRONIC TECHNOLOGIES, LLC AND SHOULD NOT BE USED WITHOUT WRITTEN PERMISSION											
DIMENSION UNITS		SCALE		CURRENT REV DESC:						<b>molex</b>	
IN/MM		NTS									
GENERAL TOLERANCES (UNLESS SPECIFIED)				MM		INCH		EC NO: 784313		MINIFIT JR VERT HDR ASSY'S W/ PEGS	
4 PLACES		±		±		DRWN: JERRYW8		2023/08/10			
3 PLACES		±		± 0.015		CHK'D: XQZHANG		2024/09/11		PRODUCT CUSTOMER DRAWING	
2 PLACES		±		± 0.02		APPR: XQZHANG		2024/09/11			
1 PLACE		±		±		INITIAL REVISION:		1987/08/19		DOCUMENT NUMBER	
0 PLACES		±		±		DRWN: RJF		2012/01/10			
ANGULAR TOL		±		3.0 °		APPR: FSMITH		1987/08/19		55660021-SD	
DRAFT WHERE APPLICABLE MUST REMAIN WITHIN DIMENSIONS				THIRD ANGLE PROJECTION		DRAWING		SERIES		MATERIAL NUMBER	
						C-SIZE		5566		SEE TABLE	
										CUSTOMER	
										GENERAL MARKET	
										SHEET NUMBER	
										2 OF 4	



12				11				10				9				8				7				6				5				4				3				2				1			
PLATING:				35 M.I. TIN				PLATING:				35 M.I. TIN				PLATING:								PLATING:																							
DRAIN HOLES:				WITHOUT DRAIN HOLES				DRAIN HOLES:				WITHOUT DRAIN HOLES				DRAIN HOLES:								DRAIN HOLES:																							
MTG. OPTION:				WITH PEGS				MTG. OPTION:				WITH PEGS				MTG. OPTION:								MTG. OPTION:																							
HOUSING MAT'L:				NYLON 6/6 94V-2 (BLACK)				HOUSING MAT'L:				NYLON 6/6 94V-0 NATURAL				HOUSING MAT'L:								HOUSING MAT'L:																							
PACKAGING:				PK-5566-001				PACKAGING:				55660000-RPK				PACKAGING:								PACKAGING:																							
PART NO.	ENG NO.	CKTS		PART NO.	ENG NO.	CKTS		PART NO.	ENG NO.	CKTS		PART NO.	ENG NO.	CKTS		PART NO.	ENG NO.	CKTS		PART NO.	ENG NO.	CKTS		PART NO.	ENG NO.	CKTS		PART NO.	ENG NO.	CKTS																	
	-			39-29-9300	5566-02A2-210TR	2																																									
39-31-9048	5566 -04A2-BL	4			-																																										
	-				-																																										
39-31-9088	5566 -08A2-BL	8			-																																										
	-				-																																										
	-				-																																										
	-				-																																										
	-				-																																										
	-				-																																										
	-				-																																										
	-				-																																										
	-				-																																										

PLATING:								PLATING:				100 M.I. MATTE TIN				PLATING:								PLATING:							
DRAIN HOLES:								DRAIN HOLES:				WITHOUT DRAIN HOLES				DRAIN HOLES:								DRAIN HOLES:							
MTG. OPTION:								MTG. OPTION:				WITH PEGS				MTG. OPTION:								MTG. OPTION:							
HOUSING MAT'L:								HOUSING MAT'L:				NYLON 6/6 94V-0 BLACK				HOUSING MAT'L:								HOUSING MAT'L:							
PACKAGING:								PACKAGING:				PK-5566-001				PACKAGING:								PACKAGING:							
PART NO.	ENG NO.	CKTS		PART NO.	ENG NO.	CKTS		PART NO.	ENG NO.	CKTS		PART NO.	ENG NO.	CKTS		PART NO.	ENG NO.	CKTS		PART NO.	ENG NO.	CKTS		PART NO.	ENG NO.	CKTS		PART NO.	ENG NO.	CKTS	
				46999-0335	5566-02A2MS-400	2																									
				46999-0336	5566-04A2MS-400	4																									
				46999-0337	5566-06A2MS-400	6																									
				46999-0338	5566-08A2MS-400	8																									
				46999-0339	5566-10A2MS-400	10																									
				46999-0340	5566-12A2MS-400	12																									
				46999-0341	5566-14A2MS-400	14																									
				46999-0342	5566-16A2MS-400	16																									
				46999-0343	5566-18A2MS-400	18																									
				46999-0344	5566-20A2MS-400	20																									
				46999-0345	5566-22A2MS-400	22																									
				46999-0346	5566-24A2MS-400	24																									
					-																										
					-																										

C																															
B																															

THIS DRAWING CONTAINS INFORMATION THAT IS PROPRIETARY TO MOLEX ELECTRONIC TECHNOLOGIES, LLC AND SHOULD NOT BE USED WITHOUT WRITTEN PERMISSION

DIMENSION UNITS	SCALE	CURRENT REV DESC:	<b>molex</b>			
IN/MM	NTS					
GENERAL TOLERANCES (UNLESS SPECIFIED)		EC NO: 784313	MINIFIT JR VERT HDR ASSY'S W/ PEGS			
4 PLACES	±	DRWN: JERRYW8				
3 PLACES	±	2023/08/10	PRODUCT CUSTOMER DRAWING			
2 PLACES	± 0.38	CHK'D: XQZHANG				
1 PLACE	± 0.5	2024/09/11	DOCUMENT NUMBER			
0 PLACES	±	APPR: XQZHANG				
ANGULAR TOL	± 3.0 °	INITIAL REVISION:	55660021-SD			
DRAFT WHERE APPLICABLE MUST REMAIN WITHIN DIMENSIONS		DRWN: RJF				
		APPR: FSMITH	DOC TYPE			
		1987/08/19				
		2012/01/10	DOC PART			
			REVISION			
			MATERIAL NUMBER			
			CUSTOMER			
			SHEET NUMBER			

THIRD ANGLE PROJECTION

DRAWING SERIES: C-SIZE 5566

MATERIAL NUMBER: SEE TABLE

CUSTOMER: GENERAL MARKET

SHEET NUMBER: 4 OF 4

Looking for pricing, stock, or lifecycle information?

Click below to explore more details on WIN SOURCE:

[View 0039299186 on WIN SOURCE](#)

[Molex, LLC Information](#)

### Optimize Your Supply Chain with WIN SOURCE Solutions

- ✓ Global Sourcing Solution
- ✓ Obsolete Management
- ✓ Cost Control Management
- ✓ Shortage Management
- ✓ Alternative Solution
- ✓ Excess Inventory Management