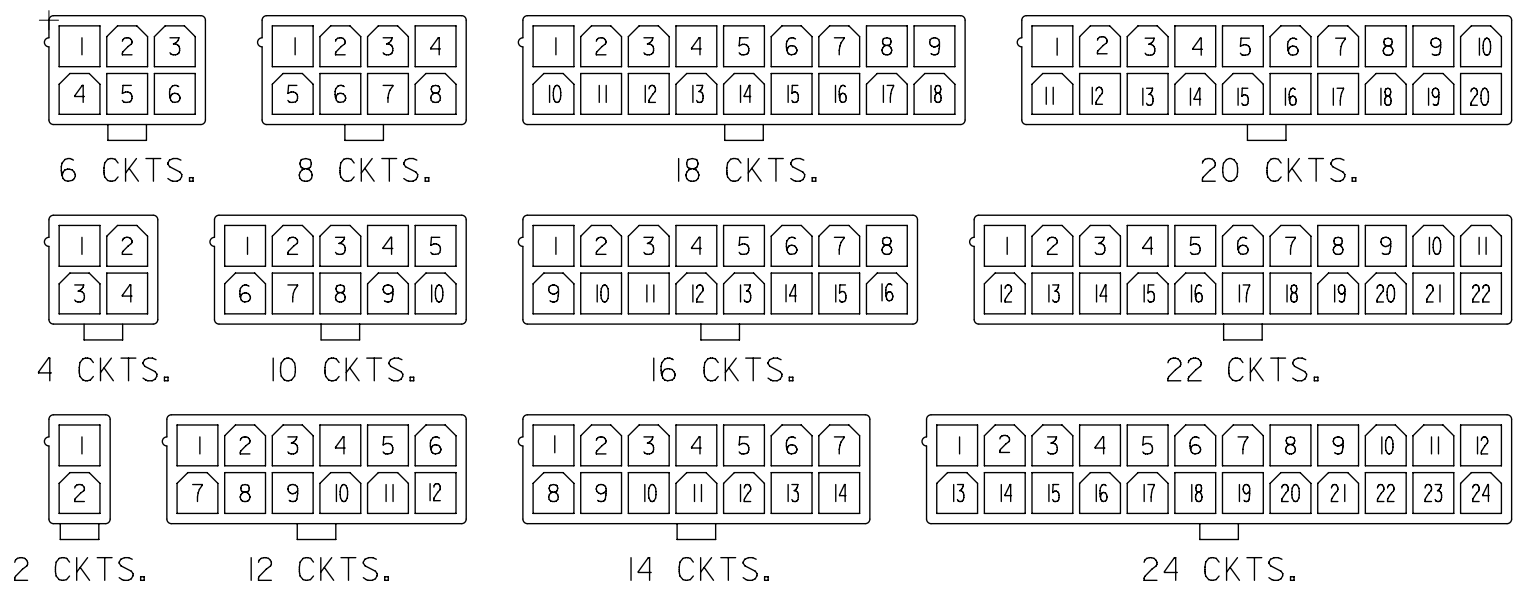




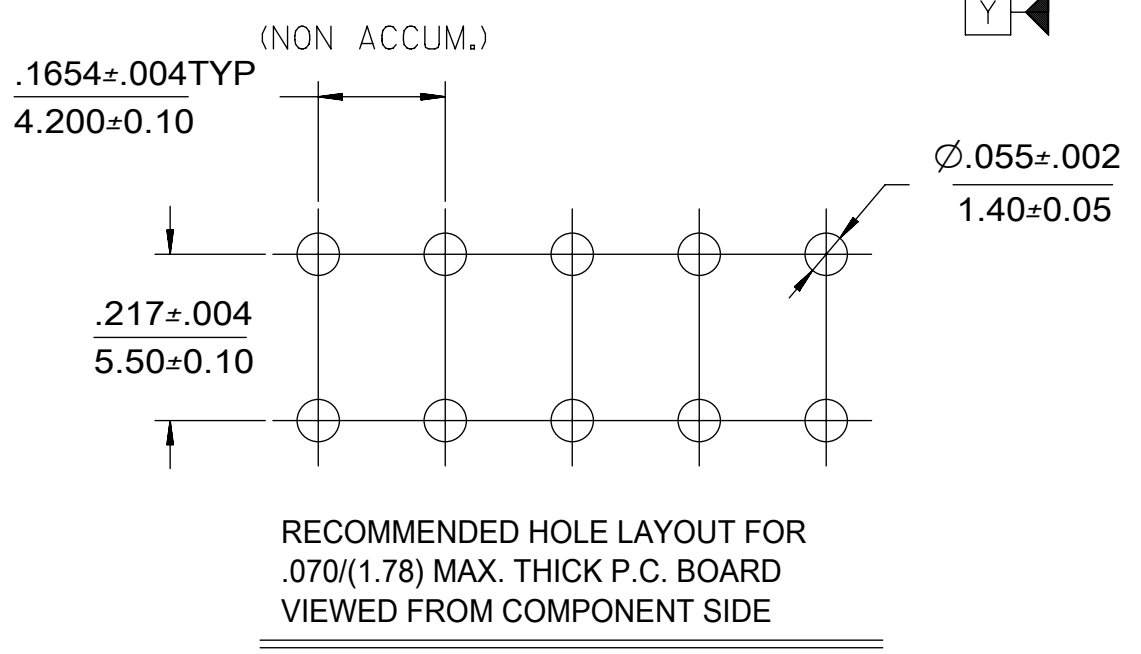
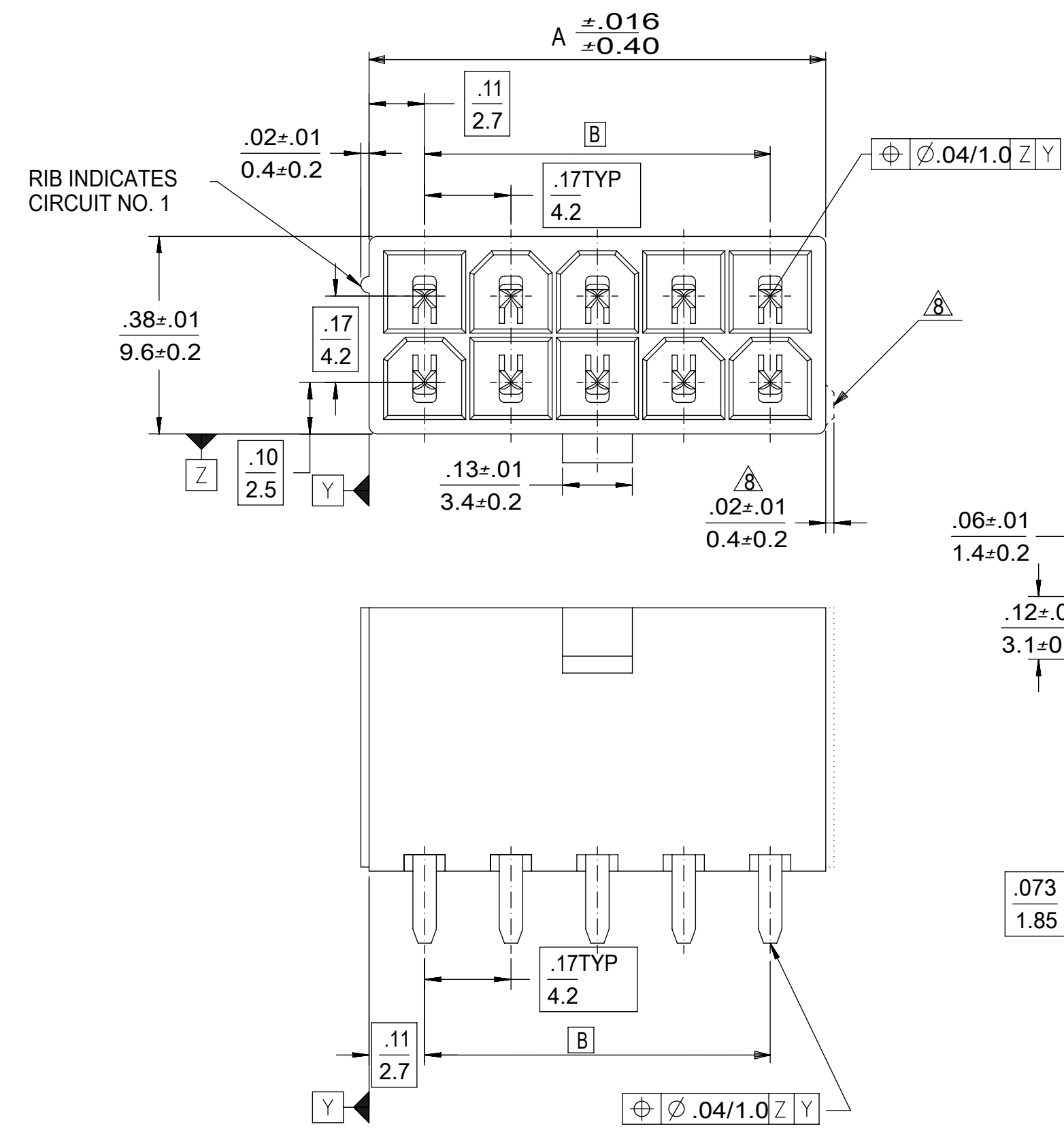
THE DATASHEET OF
0039281163



CIRCUIT SIZE	DIM. "A"	DIM. "B"
2	.21 (5.4)	—
4	.38 (9.6)	.17 (4.2)
6	.54 (13.8)	.33 (8.4)
8	.71 (18.0)	.50 (12.6)
10	.87 (22.2)	.66 (16.8)
12	1.04 (26.4)	.83 (21.0)
14	1.20 (30.6)	.99 (25.2)
16	1.37 (34.8)	1.16 (29.4)
18	1.54 (39.0)	1.32 (33.6)
20	1.70 (43.2)	1.49 (37.8)
22	1.87 (47.4)	1.65 (42.0)
24	2.03 (51.6)	1.82 (46.2)

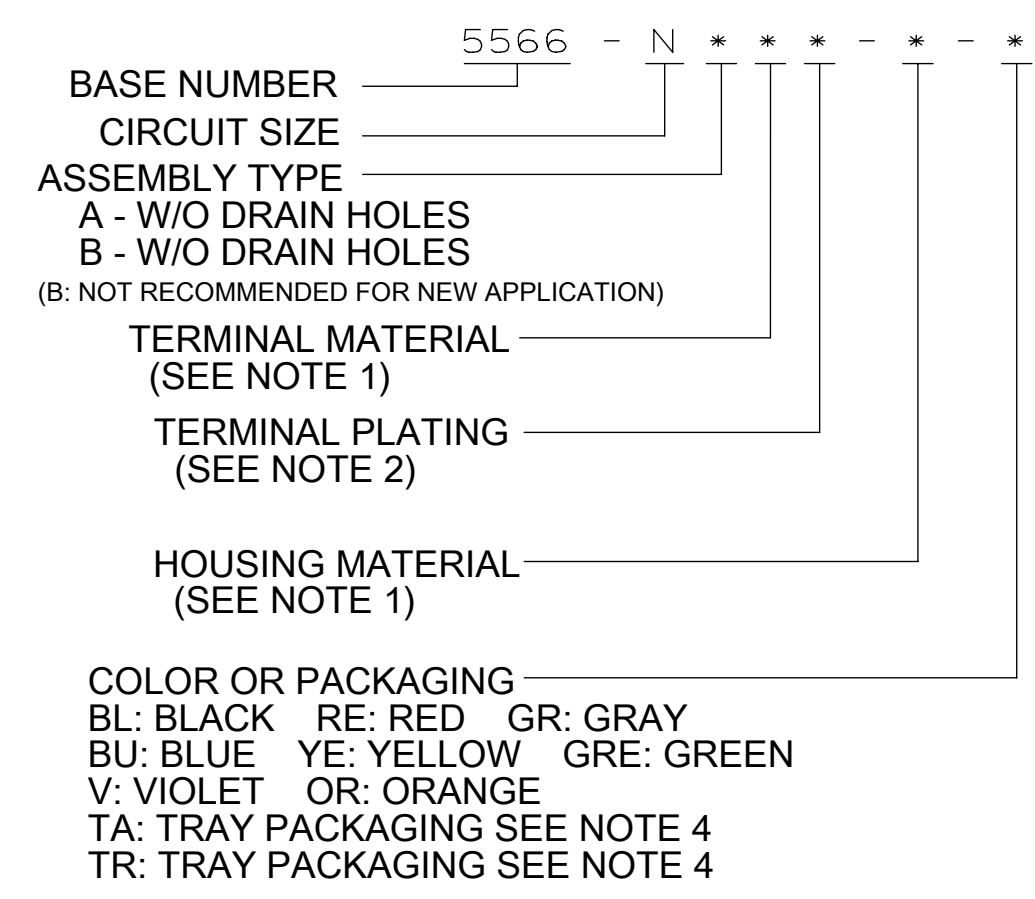


CIRCUIT SIZE LAYOUT



- NOTES:
- MATERIALS:
HOUSING:
"BLANK"=NYLON 6/6, UL94V-2, COLOR: NATURAL
"210" =NYLON 6/6, UL94V-0, COLOR: NATURAL
"400"=NYLON 6/6, UL94V-0, COLOR: BLACK
TERMINALS:
"BLANK" = BRASS
"PB" = PHOSPHOR BRONZE
 - TERMINAL PLATING:
"BLANK" = REFLOWED MATTE TIN .000035/(0.00090) MIN.
OVER COPPER .000020/(0.00050) MIN. (BRASS) (PREPLATE)
OR REFLOWED MATTE TIN .000035/(0.00090) MIN. (PHOSPHOR BRONZE) (PREPLATE)
(FINISH IS BRIGHT IN APPEARANCE, THICKNESS AS APPLIED PRIOR TO REFLOW)
"S"=.000100/(0.00254) MIN. BRIGHT TIN OVER
.000050/(0.00127) MIN NICKEL
"MS"=.000100/(0.00254) MIN. MATTE TIN OVER
.000050/(0.00127) MIN NICKEL
"GS2"=.000015/(0.00038) MIN. SELECT GOLD AND
.000100/(0.00254) MIN. SELECT MATTE TIN
OVER .000050/(0.00127) MIN. NICKEL OVERALL
"GS"=.000030/(0.00076) MIN. SELECT GOLD AND
.000100/(0.00254) MIN. SELECT MATTE TIN
OVER .000050/(0.00127) MIN. NICKEL OVERALL
 - PRODUCT SPECIFICATION: PS-5556-001
 - PACKAGING: "BLANK"= BULK PACKED,
"TA"=TRAY PACK PER PK-5566-001, "TR"=TRAY PACK PER PK-5566
 - PART MATES WITH MINI-FIT JR. RECEPTACLE NO. 5557.
 - PART IS NOT DESIGNED FOR CURRENT SHARING.
 - PARTS ARE NOT DESIGNED TO BE MATED OR UN-MATED
WHILE CIRCUITS ARE LIVE.
 - ANTI-SHINGLING RIB MAY OR MAY NOT APPEAR ON
HOUSINGS.
 - PART CONFORMS TO CLASS "B" REQUIREMENTS OF
COSMETIC SPECIFICATION PS-45499-002.
 - TEXT ON PART IS FOR REFERENCE ONLY. TEXT AND TEXT LOCATION MAY VARY
DEPENDING ON PART NUMBER AND/OR TOOL.

LEGEND



THIS DRAWING CONTAINS INFORMATION THAT IS PROPRIETARY TO MOLEX ELECTRONIC TECHNOLOGIES, LLC AND SHOULD NOT BE USED WITHOUT WRITTEN PERMISSION									
DIMENSION UNITS IN/MM		SCALE NTS		CURRENT REV DESC:					
GENERAL TOLERANCES (UNLESS SPECIFIED)				EC NO: 784313		2023/03/17		molex	
4 PLACES ±		±		DRWN: XQZHANG		2024/09/11			
3 PLACES ±		± 0.015		CHK'D: XQZHANG		2024/09/11		MINI FIT JR VERTICAL HEADER ASSEMBLIES WITHOUT PEGS	
2 PLACES ±		± 0.38 ± 0.02		APPR: XQZHANG		2024/09/11		PRODUCT CUSTOMER DRAWING	
1 PLACE ±		± 0.5 ±		INITIAL REVISION:				DOCUMENT NUMBER	
0 PLACES ±		±		DRWN: H.HIRAMOTO		1989/04/03		SD-5566-002	
ANGULAR TOL ±		± 3.0 °		APPR: FSMITH		2012/05/04		PSD 000 M7	
DRAFT WHERE APPLICABLE MUST REMAIN WITHIN DIMENSIONS		THIRD ANGLE PROJECTION		DRAWING		SERIES		MATERIAL NUMBER	
				C-SIZE		5566		SEE TABLE	
				CUSTOMER		GENERAL MARKET		SHEET NUMBER	
								1 OF 5	

	12	11	10	9	8	7	6	5	4	3	2	1		
H				39-30-9245	5566-24AGS2-210	39-29-6248	5566-24AGS-210				39-28-8240	5566-24A-210	24	
				39-30-9225	5566-22AGS2-210	39-29-6228	5566-22AGS-210				39-28-8220	-22A-210	22	
				39-30-9205	5566-20AGS2-210	39-29-6208	5566-20AGS-210				39-28-8200	-20A-210	20	
				39-30-9185	5566-18AGS2-210	39-29-6188	5566-18AGS-210				39-28-8180	-18A-210	18	
				39-30-9165	5566-16AGS2-210	39-29-6168	5566-16AGS-210	39-30-6162	5566-16AS-210		39-28-8160	-16A-210	16	
				39-30-9145	5566-14AGS2-210	39-29-6148	5566-14AGS-210				39-28-8140	-14A-210	14	
				39-30-9125	5566-12AGS2-210	39-29-6128	5566-12AGS-210				39-28-8120	-12A-210	12	
				39-30-9105	5566-10AGS2-210	39-29-6108	5566-10AGS-210				39-28-8100	-10A-210	10	
				39-30-9085	5566-08AGS2-210	39-29-6088	5566-08AGS-210	39-30-6082	5566-08AS-210		39-28-8080	-08A-210	8	
				39-30-9065	5566-06AGS2-210	39-29-6068	5566-06AGS-210	39-30-6062	5566-06AS-210		39-28-8060	-06A-210	6	
G				39-30-9045	5566-04AGS2-210	39-29-6048	5566-04AGS-210	39-30-6042	5566-04AS-210		39-28-8040	-04A-210	4	
				39-30-9025	5566-02AGS2-210	39-29-6028	5566-02AGS-210				39-28-8020	5566-02A-210	2	
	EDP NO.	ENG. NO.	EDP NO.	ENG. NO.	EDP NO.	ENG. NO.	EDP NO.	ENG. NO.	EDP NO.	ENG. NO.	EDP NO.	ENG. NO.	CKT. SIZE	
	5566-NAPB-210			5566-NAGS2-210			5566-NAGS-210			5566-NAS-210			5566-NA-210	
				39-30-9244	5566-24AGS2	39-29-0243	5566-24AGS				39-28-1243	5566-24A	24	
F				39-30-9224	5566-22AGS2						39-28-1223	5566-22A	22	
				39-30-9204	5566-20AGS2	39-29-0203	5566-20AGS				39-28-1203	5566-20A	20	
				39-30-9184	5566-18AGS2	39-29-0183	5566-18AGS				39-28-1183	5566-18A	18	
				39-30-9164	5566-16AGS2						39-28-1163	5566-16A	16	
				39-30-9144	5566-14AGS2						39-28-1143	5566-14A	14	
				39-30-9124	5566-12AGS2	39-29-0123	5566-12AGS				39-28-1123	5566-12A	12	
				39-30-9104	5566-10AGS2	39-29-0103	5566-10AGS	39-30-6101	5566-10AS		39-28-1103	5566-10A	10	
				39-30-9084	5566-08AGS2	39-29-0083	5566-08AGS	39-30-6081	5566-08AS		39-28-1083	5566-08A	8	
				39-30-9064	5566-06AGS2	39-29-0063	5566-06AGS				39-28-1063	5566-06A	6	
				39-30-9044	5566-04AGS2	39-29-0043	5566-04AGS				39-28-1043	5566-04A	4	
E				39-30-9024	5566-02AGS2	39-29-0023	5566-02AGS				39-28-1023	5566-02A	2	
	EDP NO.	ENG. NO.	EDP NO.	ENG. NO.	EDP NO.	ENG. NO.	EDP NO.	ENG. NO.	EDP NO.	ENG. NO.	EDP NO.	ENG. NO.	CKT. SIZE	
	5566-NAPB			5566-NAGS2			5566-NAGS			5566-NAS			5566-NA	

PARTS WITHOUT DRAIN HOLES

THIS DRAWING CONTAINS INFORMATION THAT IS PROPRIETARY TO MOLEX ELECTRONIC TECHNOLOGIES, LLC AND SHOULD NOT BE USED WITHOUT WRITTEN PERMISSION																	
DIMENSION UNITS		SCALE		CURRENT REV DESC:				molex									
IN/MM		NTS															
GENERAL TOLERANCES (UNLESS SPECIFIED)				EC NO: 784313 DRWN: XQZHANG 2023/03/17 CHK'D: XQZHANG 2024/09/11 APPR: XQZHANG 2024/09/11				MINI FIT JR VERTICAL HEADER ASSEMBLIES WITHOUT PEGS									
4 PLACES		±															
3 PLACES		± 0.015															
2 PLACES		± 0.38 ± 0.02															
1 PLACE		± 0.5 ±															
0 PLACES		±		INITIAL REVISION: DRWN: H.HIRAMOTO 1989/04/03 APPR: FSMITH 2012/05/04				DOCUMENT NUMBER		DOC TYPE		DOC PART		REVISION			
ANGULAR TOL ± 3.0 °								DRAFT WHERE APPLICABLE MUST REMAIN WITHIN DIMENSIONS		THIRD ANGLE PROJECTION		DRAWING		SERIES		MATERIAL NUMBER	
DRAFT WHERE APPLICABLE MUST REMAIN WITHIN DIMENSIONS		THIRD ANGLE PROJECTION		DRAWING		SERIES		MATERIAL NUMBER		CUSTOMER		SHEET NUMBER					
DRAFT WHERE APPLICABLE MUST REMAIN WITHIN DIMENSIONS		THIRD ANGLE PROJECTION		DRAWING		SERIES		MATERIAL NUMBER		CUSTOMER		SHEET NUMBER					
DRAFT WHERE APPLICABLE MUST REMAIN WITHIN DIMENSIONS		THIRD ANGLE PROJECTION		DRAWING		SERIES		MATERIAL NUMBER		CUSTOMER		SHEET NUMBER					

						24	
						22	
						20	
						18	
		39-31-0168	5566-16BGS-210	39-31-0160	5566-16B-210	16	
		39-31-0148	5566-14BGS-210	39-31-0140	5566-14B-210	14	
		39-31-0128	5566-12BGS-210	39-31-0120	5566-12B-210	12	
		39-31-0108	5566-10BGS-210	39-31-0100	5566-10B-210	10	
		39-31-0088	5566-08BGS-210	39-31-0080	5566-08B-210	8	
		39-31-0068	5566-06BGS-210	39-31-0060	5566-06B-210	6	
		39-31-0048	5566-04BGS-210	39-31-0040	5566-04B-210	4	
		39-31-0028	5566-02BGS-210	39-31-0020	5566-02B-210	2	
		EDP NO.	ENG. NO.	EDP NO.	ENG. NO.	CKT. SIZE	
		5566-NBGS-210		5566-NB-210			
						24	
						22	
		39-31-0207	5566-20BGS	39-29-3206	5566-20B	20	
						18	
		39-31-0167	5566-16BGS	39-29-3166	5566-16B	16	
		39-31-0147	5566-14BGS	39-29-3146	5566-14B	14	
				39-29-3126	5566-12B	12	
		39-31-0107	5566-10BGS	39-29-3106	5566-10B	10	
		39-31-0087	5566-08BGS	39-29-3086	5566-08B	8	
		39-31-0067	5566-06BGS	39-29-3066	5566-06B	6	
	39-30-9046	5566-04BGS2	39-31-0047	5566-04BGS	39-29-3046	5566-04B	4
			39-31-0027	5566-02BGS	39-29-3026	5566-02B	2
		EDP NO.	ENG. NO.	EDP NO.	ENG. NO.	CKT. SIZE	
		5566-NBGS2		5566-NBGS		5566-NB	

PARTS WITHOUT DRAIN HOLES

PART NUMBERS IN THIS SHEET ARE NOT RECOMMENDED FOR NEW APPLICATION.
ALL WITH DRAIN HOLE VERSION PRODUCTS ARE CHANGED TO WITHOUT DRAIN HOLE VERSION PRODUCTS.

THIS DRAWING CONTAINS INFORMATION THAT IS PROPRIETARY TO MOLEX ELECTRONIC TECHNOLOGIES, LLC AND SHOULD NOT BE USED WITHOUT WRITTEN PERMISSION																		
DIMENSION UNITS		SCALE		CURRENT REV DESC:			molex											
IN/MM		NTS																
GENERAL TOLERANCES (UNLESS SPECIFIED)				EC NO: 784313 DRWN: XQZHANG 2023/03/17 CHK'D: XQZHANG 2024/09/11 APPR: XQZHANG 2024/09/11			MINI FIT JR VERTICAL HEADER ASSEMBLIES WITHOUT PEGS											
4 PLACES		±	±							PRODUCT CUSTOMER DRAWING								
3 PLACES		±	± 0.015										DOCUMENT NUMBER SD-5566-002					
2 PLACES		± 0.38	± 0.02													DOC TYPE PSD		
1 PLACE		± 0.5	±															
0 PLACES		±	±	REVISION M7														
ANGULAR TOL		± 3.0 °					INITIAL REVISION:			SHEET NUMBER 3 OF 5								
DRAFT WHERE APPLICABLE MUST REMAIN WITHIN DIMENSIONS		THIRD ANGLE PROJECTION		DRAWING C-SIZE		SERIES 5566		MATERIAL NUMBER SEE TABLE		CUSTOMER GENERAL MARKET								

COLORED PART NUMBERS
PARTS WITHOUT DRAIN HOLES

										24			
										22			
										20			
46999-0085	5566-18AS-RE									18			
										16			
										14			
										12			
								46999-0087	5566-10AS-V	10			
										8			
										6			
										4			
										2			
EDP. NO.	ENG. NO.	EDP. NO.	ENG. NO.	EDP. NO.	ENG. NO.	EDP. NO.	ENG. NO.	EDP. NO.	ENG. NO.	CKT. SIZE			
5566-NAS-RE			5566-NAS-OR			5566-NAS-V							
										24			
										22			
										20			
										18			
										16			
										14			
										12			
										10			
										8			
										6			
										4			
										2			
EDP. NO.	ENG. NO.	EDP. NO.	ENG. NO.	EDP. NO.	ENG. NO.	EDP. NO.	ENG. NO.	EDP. NO.	ENG. NO.	CKT. SIZE			
5566-NAMS-400			5566-NAMS-RE			5566-NAS-GRE			5566-NA-210-YE			5566-NA-400	
												24	
												22	
												20	
												18	
												16	
												14	
												12	
												10	
												8	
												6	
												4	
												2	
EDP. NO.	ENG. NO.	EDP. NO.	ENG. NO.	EDP. NO.	ENG. NO.	EDP. NO.	ENG. NO.	EDP. NO.	ENG. NO.	EDP. NO.	ENG. NO.	CKT. SIZE	
5566-NA-GR			5566-NA-YE			5566-NA-RE			5566-NA-BU			5566-NA-BL	
												24	
												22	
												20	
												18	
												16	
												14	
												12	
												10	
												8	
												6	
												4	
												2	
EDP. NO.	ENG. NO.	EDP. NO.	ENG. NO.	EDP. NO.	ENG. NO.	EDP. NO.	ENG. NO.	EDP. NO.	ENG. NO.	EDP. NO.	ENG. NO.	CKT. SIZE	
5566-NAMS-400			5566-NAMS-RE			5566-NAS-GRE			5566-NA-210-YE			5566-NA-400	
												24	
												22	
												20	
												18	
												16	
												14	
												12	
												10	
												8	
												6	
												4	
												2	
EDP. NO.	ENG. NO.	EDP. NO.	ENG. NO.	EDP. NO.	ENG. NO.	EDP. NO.	ENG. NO.	EDP. NO.	ENG. NO.	EDP. NO.	ENG. NO.	CKT. SIZE	
5566-NA-GR			5566-NA-YE			5566-NA-RE			5566-NA-BU			5566-NA-BL	
												24	
												22	
												20	
												18	
												16	
												14	
												12	
												10	
												8	
												6	
												4	
												2	
EDP. NO.	ENG. NO.	EDP. NO.	ENG. NO.	EDP. NO.	ENG. NO.	EDP. NO.	ENG. NO.	EDP. NO.	ENG. NO.	EDP. NO.	ENG. NO.	CKT. SIZE	
5566-NA-GR			5566-NA-YE			5566-NA-RE			5566-NA-BU			5566-NA-BL	
												24	
												22	
												20	
												18	
												16	
												14	
												12	
												10	
												8	
												6	
												4	
												2	
EDP. NO.	ENG. NO.	EDP. NO.	ENG. NO.	EDP. NO.	ENG. NO.	EDP. NO.	ENG. NO.	EDP. NO.	ENG. NO.	EDP. NO.	ENG. NO.	CKT. SIZE	
5566-NA-GR			5566-NA-YE			5566-NA-RE			5566-NA-BU			5566-NA-BL	
												24	
												22	
												20	
												18	
												16	
												14	
												12	
												10	
												8	
												6	
												4	
												2	
EDP. NO.	ENG. NO.	EDP. NO.	ENG. NO.	EDP. NO.	ENG. NO.	EDP. NO.	ENG. NO.	EDP. NO.	ENG. NO.	EDP. NO.	ENG. NO.	CKT. SIZE	
5566-NA-GR			5566-NA-YE			5566-NA-RE			5566-NA-BU			5566-NA-BL	
												24	
												22	
												20	
												18	
												16	
												14	
												12	
												10	
												8	
												6	
												4	
												2	
EDP. NO.	ENG. NO.	EDP. NO.	ENG. NO.	EDP. NO.	ENG. NO.	EDP. NO.	ENG. NO.	EDP. NO.	ENG. NO.	EDP. NO.	ENG. NO.	CKT. SIZE	
5566-NA-GR			5566-NA-YE			5566-NA-RE			5566-NA-BU			5566-NA-BL	
												24	
												22	
												20	
												18	
												16	
												14	
												12	
												10	
												8	
												6	
												4	
												2	
EDP. NO.	ENG. NO.	EDP. NO.	ENG. NO.	EDP. NO.	ENG. NO.	EDP. NO.	ENG. NO.	EDP. NO.	ENG. NO.	EDP. NO.	ENG. NO.	CKT. SIZE	
5566-NA-GR			5566-NA-YE			5566-NA-RE			5566-NA-BU			5566-NA-BL	
												24	
												22	
												20	
												18	
												16	
												14	
												12	
												10	
												8	
												6	
												4	
												2	
EDP. NO.	ENG. NO.	EDP. NO.	ENG. NO.	EDP. NO.	ENG. NO.	EDP. NO.	ENG. NO.	EDP. NO.	ENG. NO.	EDP. NO.	ENG. NO.	CKT. SIZE	
5566-NA-GR			5566-NA-YE			5566-NA-RE			5566-NA-BU			5566-NA-BL	
												24	
												22	
												20	
												18	
												16	
												14	
												12	
												10	
												8	
												6	
												4	
												2	
EDP. NO.	ENG. NO.	EDP. NO.	ENG. NO.	EDP. NO.	ENG. NO.	EDP. NO.	ENG. NO.	EDP. NO.	ENG. NO.	EDP. NO.	ENG. NO.	CKT. SIZE	
5566-NA-GR			5566-NA-YE			5566-NA-RE			5566-NA-BU			5566-NA-BL	
												24	
												22	
												20	
												18	
												16	
												14	
												12	
												10	
												8	
												6	
												4	
												2	
EDP. NO.	ENG. NO.	EDP. NO.	ENG. NO.	EDP. NO.	ENG. NO.	EDP. NO.	ENG. NO.	EDP. NO.	ENG. NO.	EDP. NO.	ENG. NO.	CKT. SIZE	
5566-NA-GR			5566-NA-YE			5566-NA-RE			5566-NA-BU			5566-NA-BL	
												24	
												22	
												20	
												18	
												16	
												14	
												12	
												10	

TRAY PACKED PART NUMBERS
PARTS WITHOUT DRAIN HOLES

TRAY PACKED PER TA	5566-NAMS		TRAY PACKED PER TA	5566-NAMS-210		CKT. SIZE	
	EDP. NO.	ENG. NO.		EDP. NO.	ENG. NO.		
4	46999-0137	5566-24AMS	4	46999-0149	5566-24AMS-210	24	
	46999-0136	5566-22AMS		46999-0148	5566-22AMS-210	22	
	46999-0135	5566-20AMS		46999-0147	5566-20AMS-210	20	
	46999-0134	5566-18AMS		46999-0146	5566-18AMS-210	18	
	46999-0133	5566-16AMS		46999-0145	5566-16AMS-210	16	
	46999-0132	5566-14AMS		46999-0144	5566-14AMS-210	14	
	46999-0131	5566-12AMS		46999-0143	5566-12AMS-210	12	
	46999-0130	5566-10AMS		46999-0142	5566-10AMS-210	10	
	46999-0129	5566-08AMS		46999-0141	5566-08AMS-210	8	
	46999-0128	5566-06AMS		46999-0140	5566-06AMS-210	6	
	46999-0127	5566-04AMS		46999-0139	5566-04AMS-210	4	
	46999-0126	5566-02AMS		46999-0138	5566-02AMS-210	2	
						22	
						20	
			39-53-9188	5566-18A-TA		18	
						16	
						14	
						12	
						10	
						8	
			46999-0630	5566-06AGS2-BL-TA		6	
			46999-0629	5566-04AGS2-BL-TA		4	
						2	
			EDP. NO.	ENG. NO.	EDP. NO.	ENG. NO.	CKT. SIZE
			5566-NAGS2-BL-TA		5566-NA-TA		

THIS DRAWING CONTAINS INFORMATION THAT IS PROPRIETARY TO MOLEX ELECTRONIC TECHNOLOGIES, LLC AND SHOULD NOT BE USED WITHOUT WRITTEN PERMISSION

DIMENSION UNITS	SCALE	CURRENT REV DESC:	molex			
IN/MM	NTS					
GENERAL TOLERANCES (UNLESS SPECIFIED)		EC NO: 784313	MINI FIT JR VERTICAL HEADER ASSEMBLIES WITHOUT PEGS			
	MM INCH	DRWN: XQZHANG 2023/03/17				
4 PLACES	± ±	CHK'D: XQZHANG 2024/09/11	PRODUCT CUSTOMER DRAWING			
3 PLACES	± ± 0.015	APPR: XQZHANG 2024/09/11				
2 PLACES	± 0.38 ± 0.02	INITIAL REVISION:	DOCUMENT NUMBER	DOC TYPE	DOC PART	REVISION
1 PLACE	± 0.5 ±	DRWN: H.HIRAMOTO 1989/04/03	SD-5566-002	PSD	000	M7
0 PLACES	± ±	APPR: FSMITH 2012/05/04	MATERIAL NUMBER	CUSTOMER	SHEET NUMBER	
ANGULAR TOL	± 3.0 °	THIRD ANGLE PROJECTION	SEE TABLE	GENERAL MARKET	5 OF 5	
DRAFT WHERE APPLICABLE MUST REMAIN WITHIN DIMENSIONS		DRAWING C-SIZE	SERIES 5566			

Looking for pricing, stock, or lifecycle information?

Click below to explore more details on WIN SOURCE:

 [View 0039281163 on WIN SOURCE](#)

 [Molex, LLC Information](#)

Optimize Your Supply Chain with WIN SOURCE Solutions

-  Global Sourcing Solution
-  Obsolete Management
-  Cost Control Management
-  Shortage Management
-  Alternative Solution
-  Excess Inventory Management