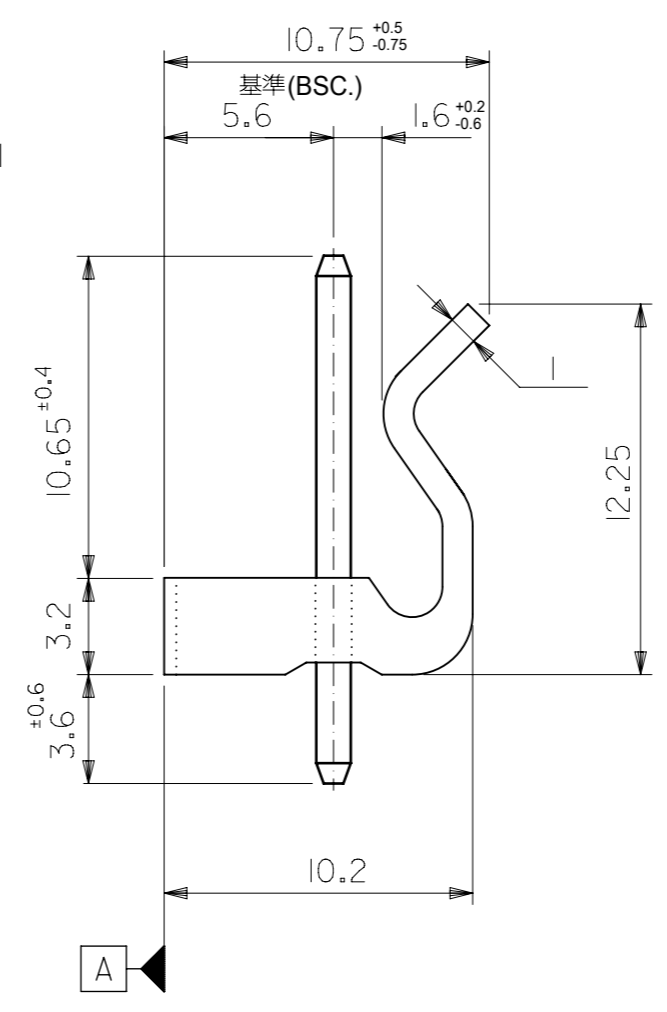
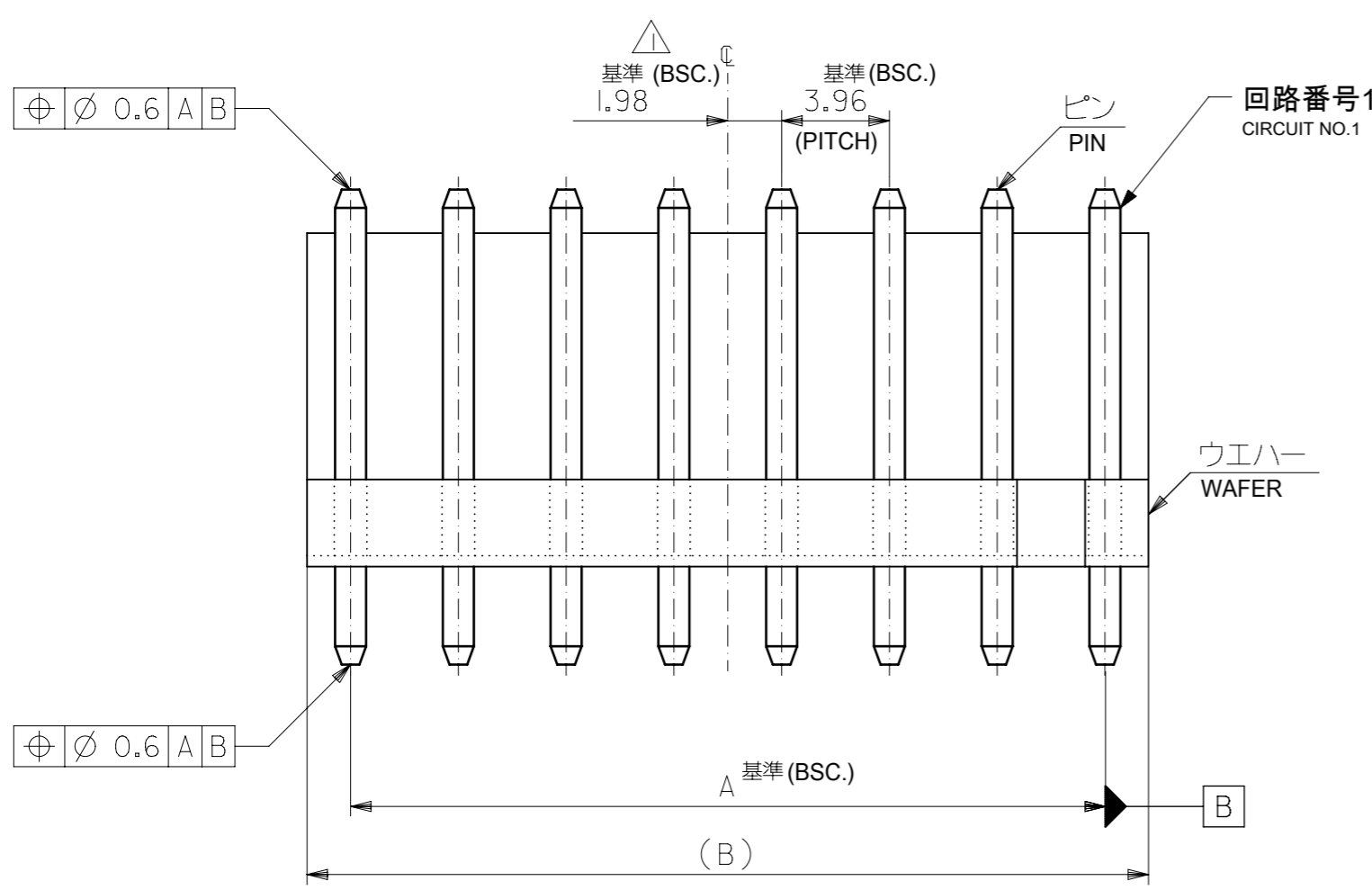




**THE DATASHEET OF
0009652128**



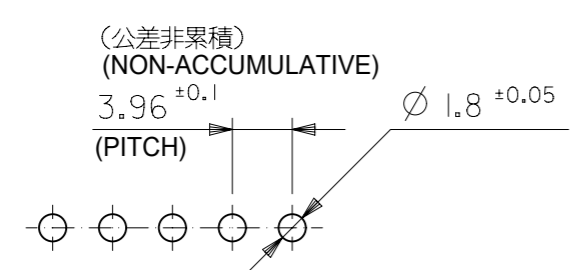


注記
NOTES

△全極数が偶数の場合のみ適用。
TO BE APPLIED ONLY WHEN ALLCKTS ARE EVEN.

2.材質
MATERIAL
ウエハー： 66ナイロン, UL94V-2
WAFER : 66NYLON, UL-94V-2
ピン： 黄銅, 銅下地錫メッキ (□1.14X17.45)
PIN : BRASS, TIN OVER COPPER PLATING (□1.14X17.45)

46.76	43.56	09-65-2128	5273-12A	12
42.8	39.6	↑ -2118	↑ -11A	11
38.84	35.64	-2108	-10A	10
34.88	31.68	-2098	-09A	9
30.92	27.72	-2088	-08A	8
26.96	23.76	-2078	-07A	7
23	19.8	-2068	-06A	6
19.04	15.84	-2058	-05A	5
15.08	11.88	-2048	-04A	4
11.12	7.92	↓ -2038	↓ -03A	3
7.16	3.96	09-65-2028	5273-02A	2
B	A	オーダー番号 (EDP NO.) ORDER NO. (EDP NO.)	ENG. NO.	極数 CKTS



基板取付穴推奨寸法
RECOMMENDED P.C. BOARD HOLE DIM.

QUALITY SYMBOLS ▽A = 0 ▽E = 0 ▽F = 0 ▼ = 0 ▽C = 0 ⊠ = 0 ■ = 0 ▽ = 0	THIS DRAWING CONTAINS INFORMATION THAT IS PROPRIETARY TO MOLEX ELECTRONIC TECHNOLOGIES, LLC AND SHOULD NOT BE USED WITHOUT WRITTEN PERMISSION		DIMENSION UNITS mm	SCALE 4:1				
	EC NO: 123310 DRWN: MIKEDA01 CHK'D: AIDA APPR: TKANEKO	2017/10/12 2017/10/13 2017/10/13	GENERAL TOLERANCES (UNLESS SPECIFIED) ANGULAR TOL ± 3.0 ° 4 PLACES ± 0.2 3 PLACES ± 0.25 2 PLACES ± 0.3 1 PLACE ± 0 PLACES ±	DRWN BY YSHIBATA		DATE 2009/06/23	KK 3.96 WAFER ASSY WITH LOCK	
EC NO: 123310 DRWN: MIKEDA01 CHK'D: AIDA APPR: TKANEKO		DRAFT WHERE APPLICABLE MUST REMAIN WITHIN DIMENSIONS	CHK'D BY THARUYAMA	DATE 2010/03/15	PRODUCT CUSTOMER DRAWING			
EC NO: 123310 DRWN: MIKEDA01 CHK'D: AIDA APPR: TKANEKO		DRAWING SIZE A3	THIRDS ANGLE PROJECTION 	APPR BY NUKITA	DATE 2010/03/15	SERIES 5273	MATERIAL NUMBER 09652**8	CUSTOMER GENERAL MARKET
EC NO: 123310 DRWN: MIKEDA01 CHK'D: AIDA APPR: TKANEKO		DOCUMENT NUMBER SD-5273-001		DOC TYPE PSD	DOC PART 001	SHEET NUMBER 1 OF 1		

Looking for pricing, stock, or lifecycle information?

Click below to explore more details on WIN SOURCE:

 [View 0009652128 on WIN SOURCE](#)

 [Molex, LLC Information](#)

Optimize Your Supply Chain with WIN SOURCE Solutions

-  Global Sourcing Solution
-  Obsolete Management
-  Cost Control Management
-  Shortage Management
-  Alternative Solution
-  Excess Inventory Management