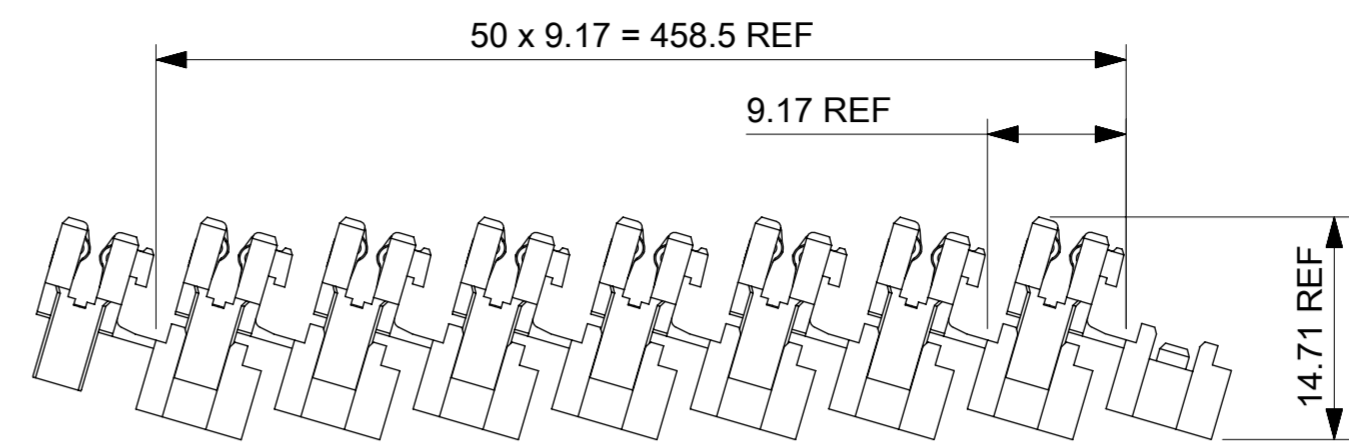
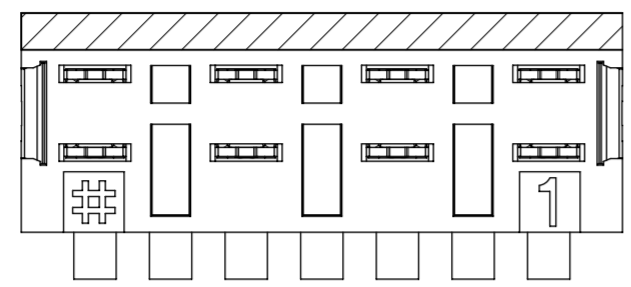




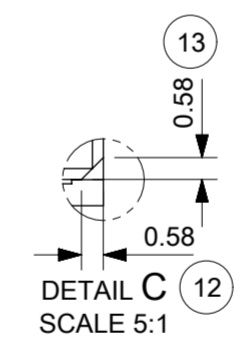
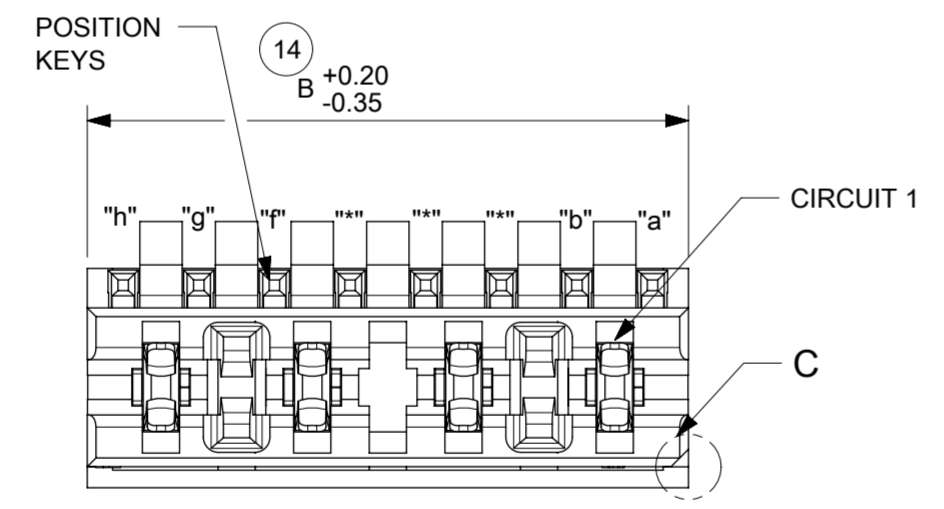
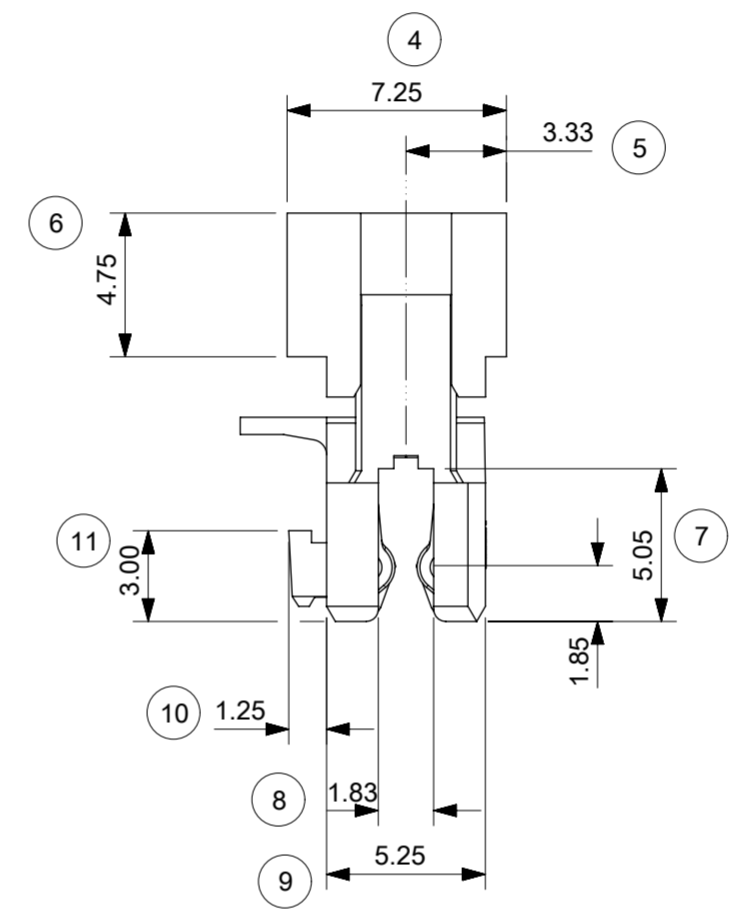
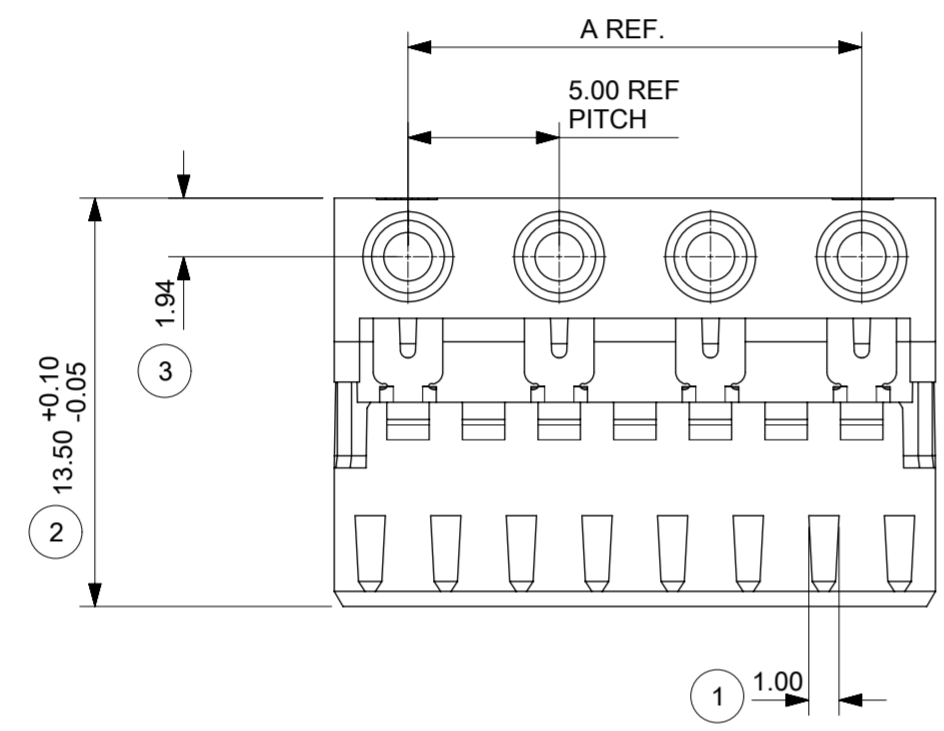
THE DATASHEET OF
0008500004





CCT	A	B
2	5.0	9.9
3	10.0	14.9
4	15.0	19.9
5	20.0	24.9
6	25.0	29.9
7	30.0	34.9
8	35.0	39.9
9	40.0	44.9
10	45.0	49.9

SHIPPING ARRANGEMENT



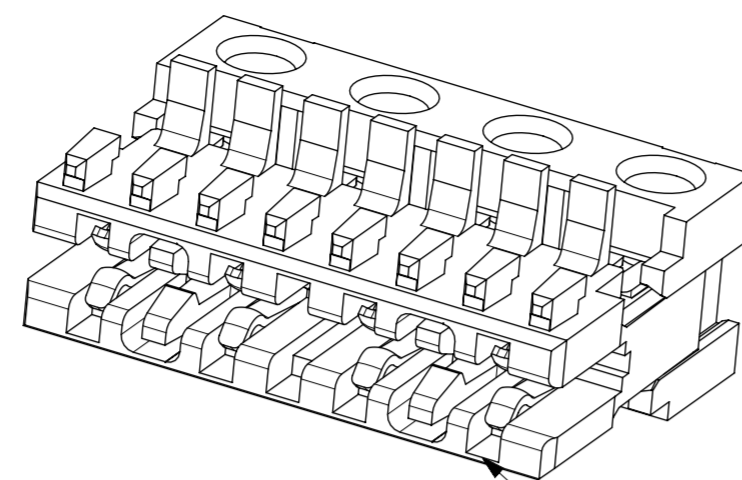
- NOTES:
- REFER TO PRODUCT SPECIFICATION: PS-93270-001.
 - MATERIAL: HOUSING - PA66
UL94-V0, COLOUR: BLACK.
TERMINAL: COPPER ALLOY 0.30 REF. THICK - PLATING
HOT TIN DIP.
 - COLOUR STRIPE IS OPTIONAL. AVAILABLE IN THE FOLLOWING
COLOURS: YELLOW, RED, GREEN, BLUE, BLACK & ORANGE.
 - REFER TO PACKAGING SPEC (PK-93270-001)
 - REFER TO APPLICATION SPEC (AS-93270-001)
LAST INSPECTION NUMBER : 14

THIS DRAWING CONTAINS INFORMATION THAT IS PROPRIETARY TO MOLEX ELECTRONIC TECHNOLOGIES, LLC AND SHOULD NOT BE USED WITHOUT WRITTEN PERMISSION

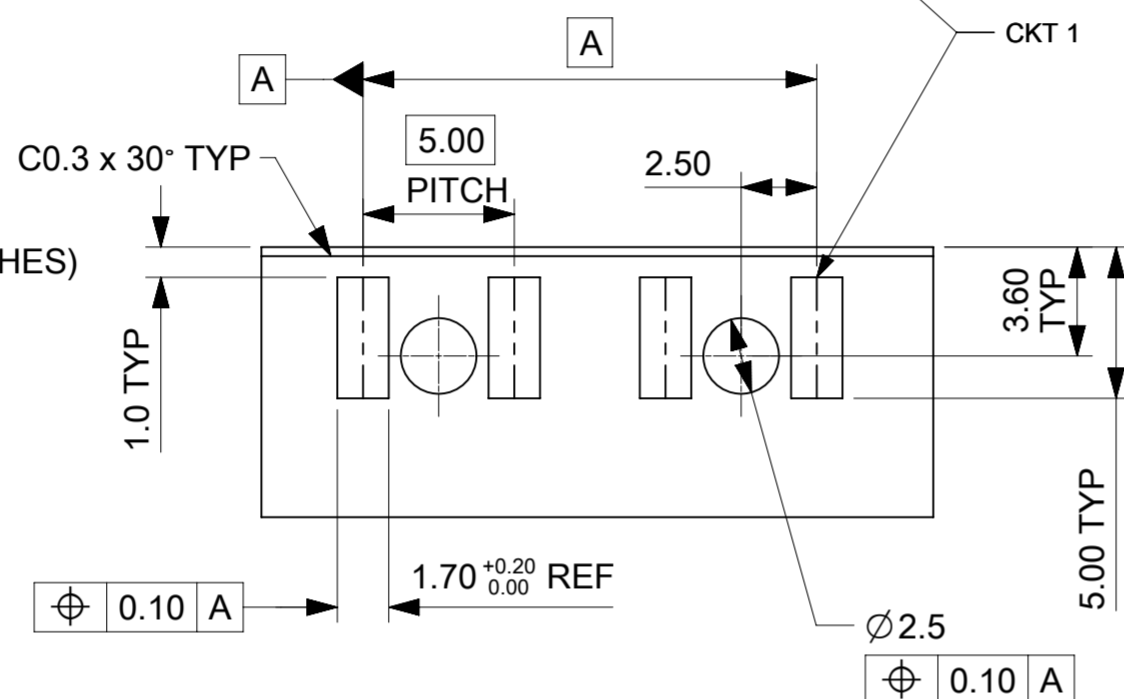
EC NO: 736404 DRWN: MBN02 CHKD: RAHULH3 REV: APPR: MRAMAKRISHNA	GENERAL TOLERANCES (UNLESS SPECIFIED) DIMENSION UNITS: mm SCALE:	molex R POWER 10 AMP BLACK LATI 5MM TERMINAL PITCH (MATL: NYLON PA66)
	ANGULAR TOL ± 0.5 ° 4 PLACES ± 3 PLACES ± 0.05 2 PLACES ± 0.1 1 PLACE ± 0.2 0 PLACES ±	
	DRWN BY: MBN02 DATE: 2022/05/30 CHK'D BY: DATE:	
	APPR BY: MRAMAKRISHNA DATE: 2023/02/08	
DRAFT WHERE APPLICABLE MUST REMAIN WITHIN DIMENSIONS	DRAWING SIZE: A2 THIRD ANGLE PROJECTION	PRODUCT CUSTOMER DRAWING SERIES: 220958 MATERIAL NUMBER: SEE CHARTS CUSTOMER: GENERAL MARKET
RELEASE STATUS: P1 RELEASE DATE: 2023/02/08 08:56:08	DOCUMENT NUMBER: 2209580001 DOC TYPE: PSD DOC PART: 000 SHEET NUMBER: 1 OF 9	

SINGLE ROW CODING KEYS OPEN
END WALLS WITH LATCHES

END WALLS OPEN	
FIRST END WALL	LAST END WALL
OPEN	OPEN

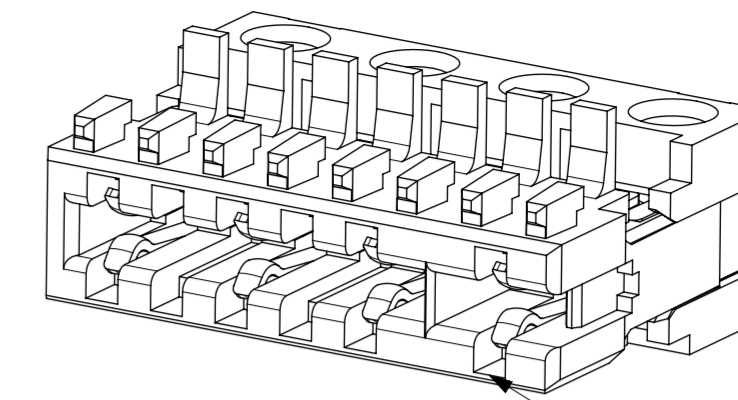


- PCB LAYOUT FOR 4CCT CONNECTOR
(WITH NO OPTIONAL POSITIONAL RIB SLOT)
(WITH HOLES FOR OPTIONAL INTERNAL LATCHES)
- RECOMMENDED PCB THICKNESS 1.5±0.14

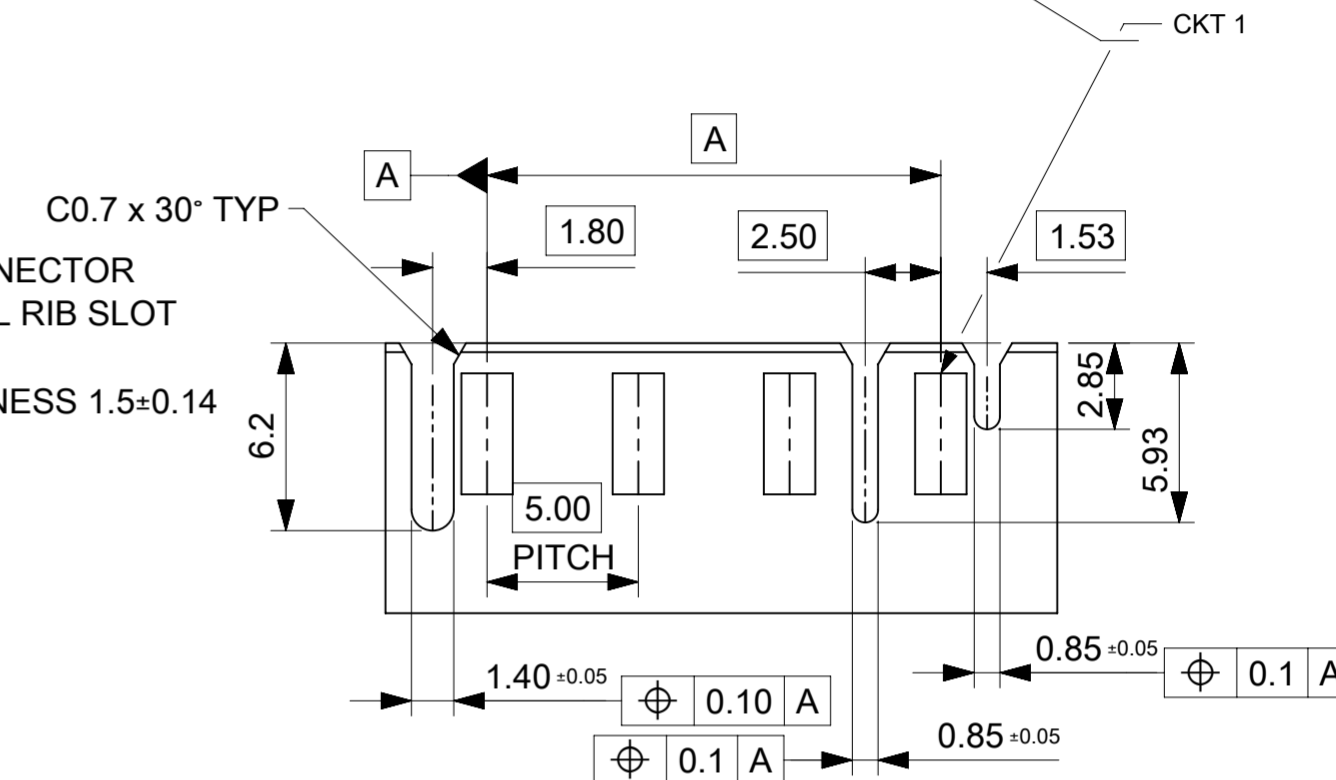


SINGLE ROW CODING KEYS OPTION A
END WALLS WITH POLARIZING RIBS

OPTION A END WALLS	
FIRST END WALL	LAST END WALL
SHORT	CLOSED

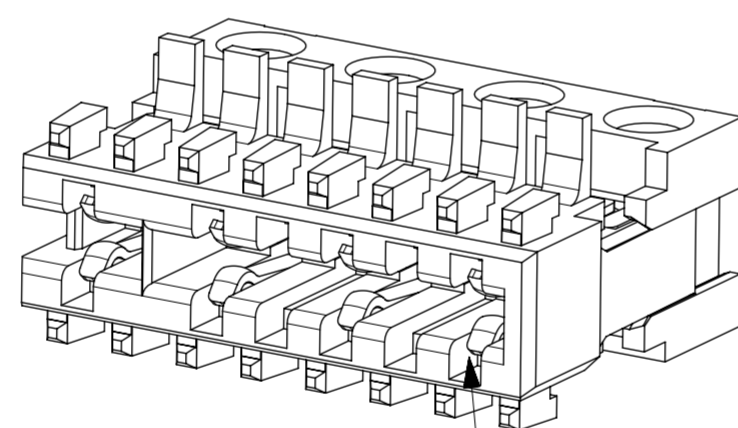


- PCB LAYOUT FOR 4CCT CONNECTOR
(WITH OPTIONAL POSITIONAL RIB SLOT
BETWEEN CCTS 1&2)
- RECOMMENDED PCB THICKNESS 1.5±0.14

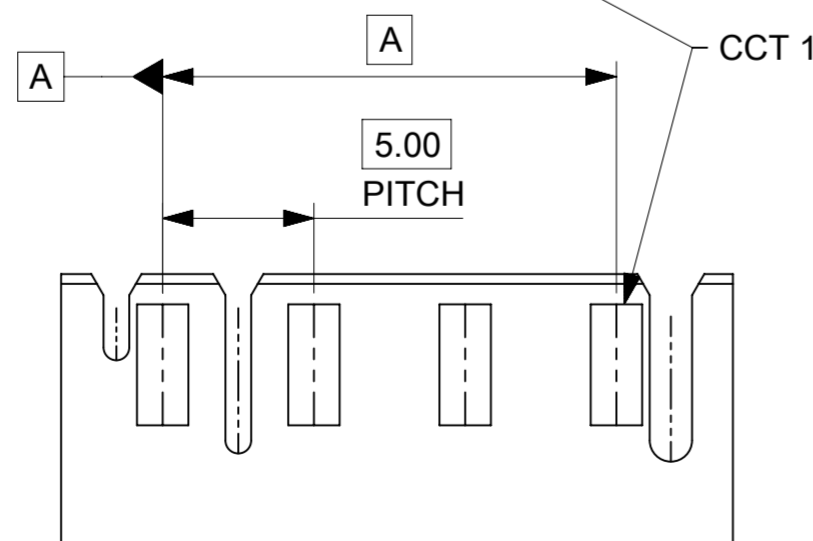


2 ROW CODING KEYS OPTION B
END WALLS WITH POLARIZING RIBS

OPTION B END WALLS	
FIRST END WALL	LAST END WALL
CLOSED	SHORT

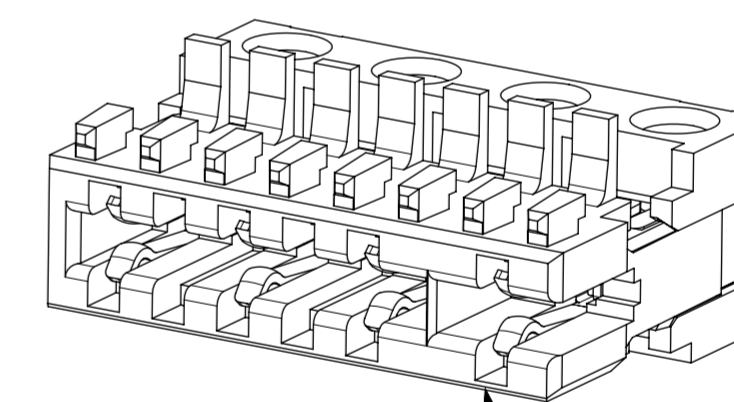


- PCB LAYOUT FOR 4CCT CONNECTOR
(WITH OPTIONAL POSITIONAL RIB SLOT
BETWEEN CCTS 3&4)
- RECOMMENDED PCB THICKNESS 1.5±0.14

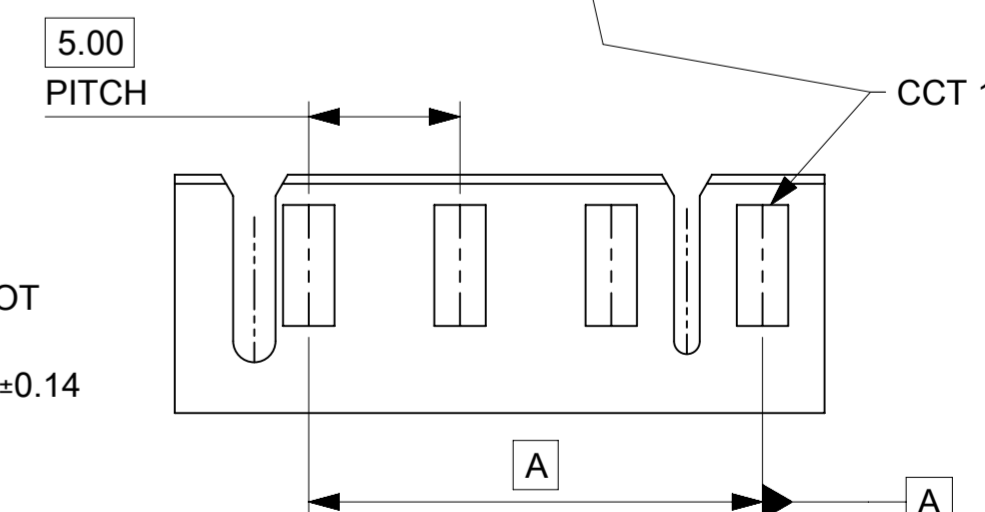


1 ROW CODING KEYS OPTION C
END WALLS WITH POLARIZING RIBS

OPTION C END WALLS	
FIRST END WALL	LAST END WALL
OPEN	CLOSED



- PCB LAYOUT FOR 4CCT CONNECTOR
(WITH OPTIONAL POSITIONAL RIB SLOT
BETWEEN CCTS 1&2)
- RECOMMENDED PCB THICKNESS 1.5±0.14

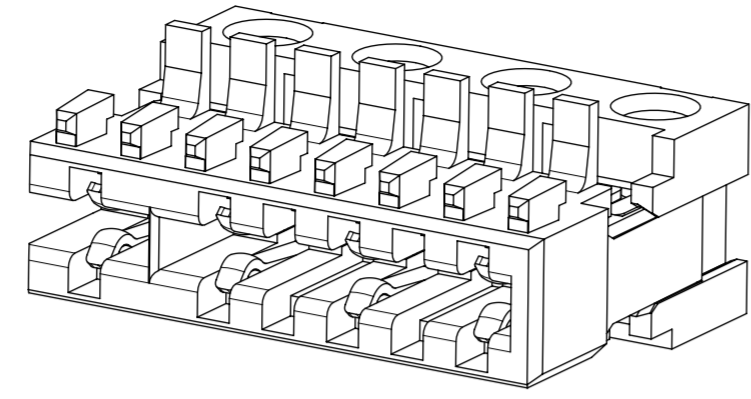


- NOTES:
1. ALL UNSPECIFIED DIMENSIONS SEE SHEET 1
 2. PCB FEATURES WHEN USED ARE IDENTICAL IN SIZE AND POSITION ACROSS PCB OPTIONS
 3. OPTIONS SHOWN ARE FOR REFERENCE ONLY, FOR PART CONFIGURATIONS SEE SHEETS 4-8
 4. FOR PARTS NOT LISTED ON THIS DRAWING PLEASE CONTACT YOUR MOLEX SALES ENGINEER

THIS DRAWING CONTAINS INFORMATION THAT IS PROPRIETARY TO MOLEX ELECTRONIC TECHNOLOGIES, LLC AND SHOULD NOT BE USED WITHOUT WRITTEN PERMISSION

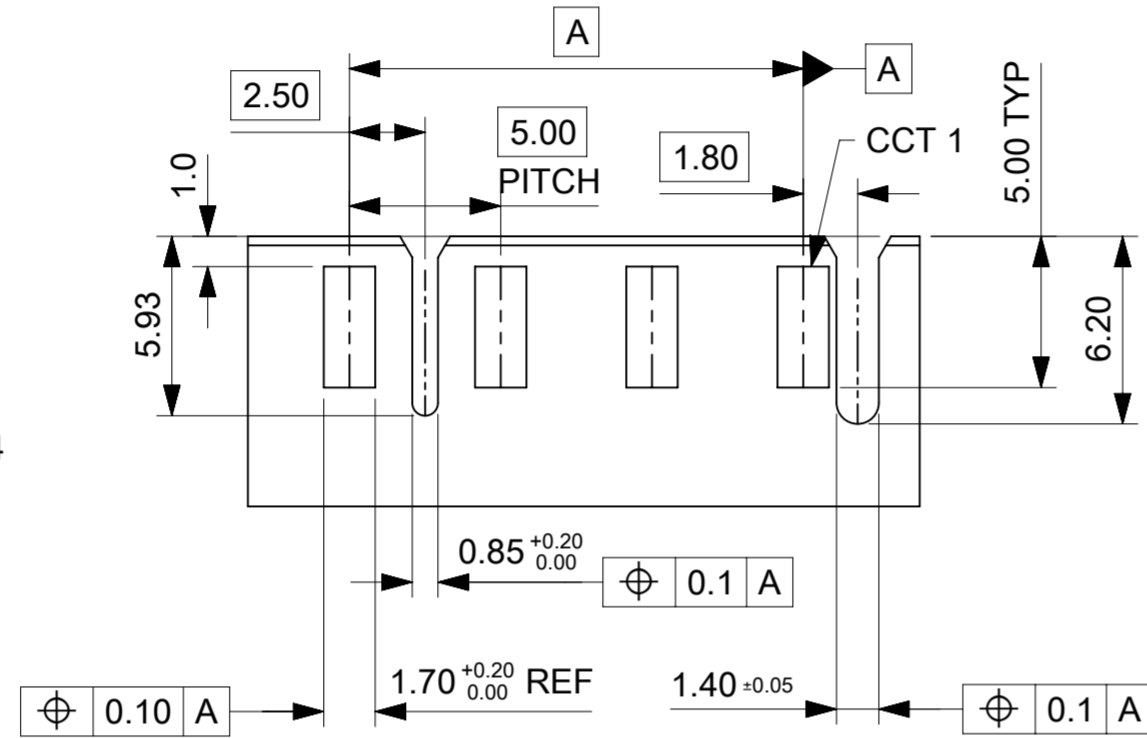
EC NO: 736404 DRWN: MBN02 CHKD: RAHULH3 APPR: MRAMAKRISHNA	2022/05/30	2023/02/08	2023/02/08	GENERAL TOLERANCES (UNLESS SPECIFIED)	DIMENSION UNITS	SCALE	
	4 PLACES ±			ANGULAR TOL ± 0.5 °	mm		
	3 PLACES ± 0.05						
	2 PLACES ± 0.1						
1 PLACE ± 0.2							
0 PLACES ±							
DRAFT WHERE APPLICABLE MUST REMAIN WITHIN DIMENSIONS					A2	THIRD ANGLE PROJECTION	
DRWN BY		DATE		MBN02		2022/05/30	
CHK'D BY		DATE					
APPR BY		DATE		MRAMAKRISHNA		2023/02/08	
DRAWING SIZE		THIRD ANGLE PROJECTION		A2			
SERIES				MATERIAL NUMBER		CUSTOMER	
220958				SEE CHARTS		GENERAL MARKET	
DOCUMENT NUMBER				DOC TYPE		DOC PART SHEET NUMBER	
2209580001				PSD		000 2 OF 9	

1 ROW CODING KEYS OPTION D
END WALLS WITH POLARIZING RIBS

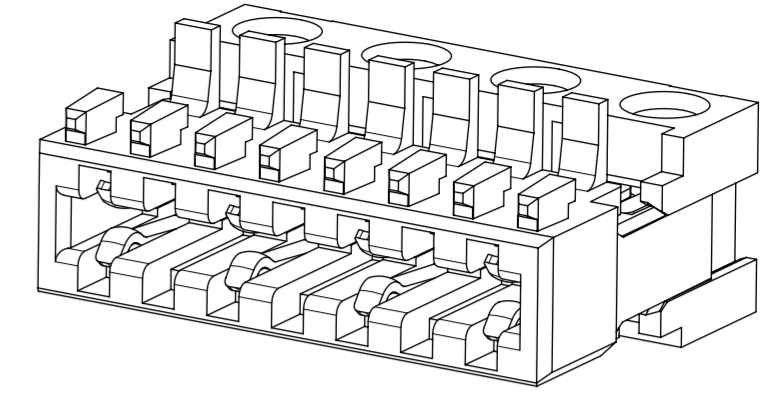


OPTION D END WALLS	
FIRST END WALL	LAST END WALL
CLOSED	OPEN

- PCB LAYOUT FOR 4CCT CONNECTOR
(WITH OPTIONAL POSITIONAL RIB SLOT
BETWEEN CCTS 3&4)
- RECOMMENDED PCB THICKNESS 1.5±0.14

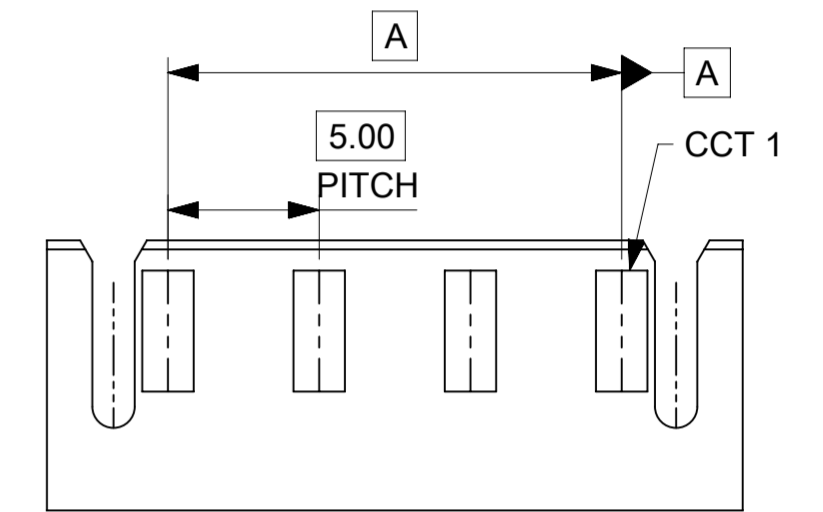


1 ROW CODING KEYS
OPTION E END WALLS

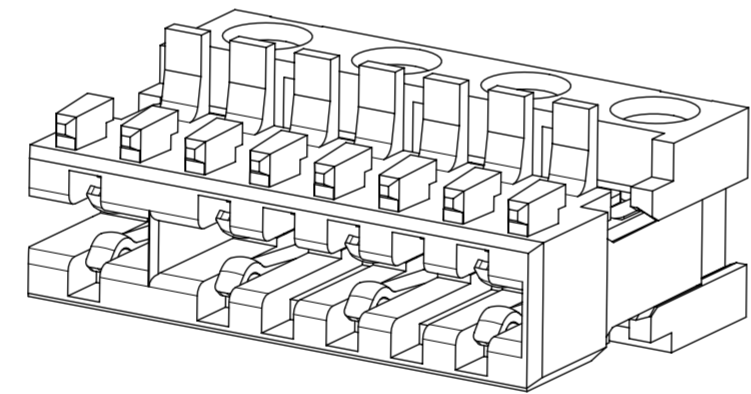


OPTION E END WALLS	
FIRST END WALL	LAST END WALL
CLOSED	CLOSED

- PCB LAYOUT FOR 4CCT CONNECTOR
(WITH NO OPTIONAL POSITIONAL RIB SLOTS)
- RECOMMENDED PCB THICKNESS 1.5±0.14

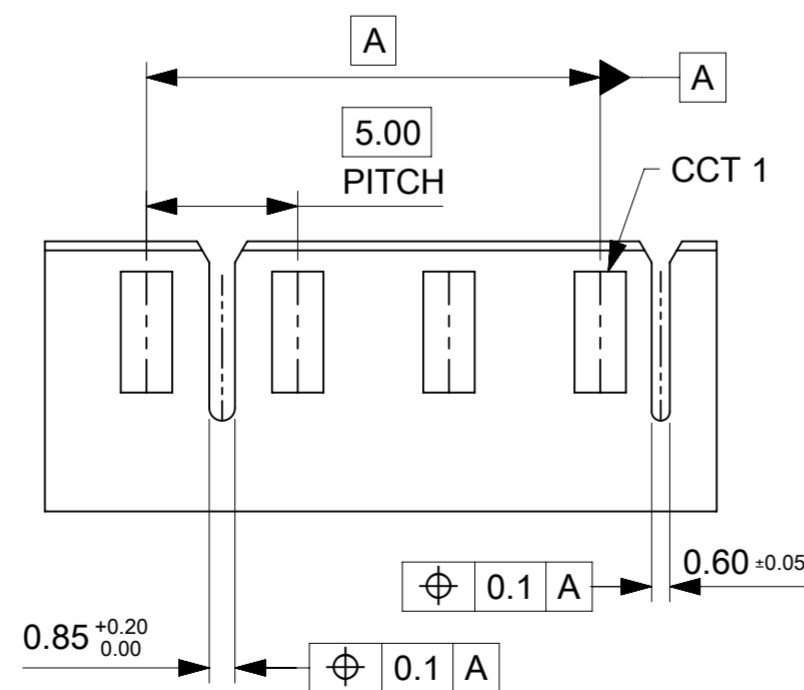


1 ROW CODING KEYS OPTION F
END WALLS WITH POLARIZING RIBS

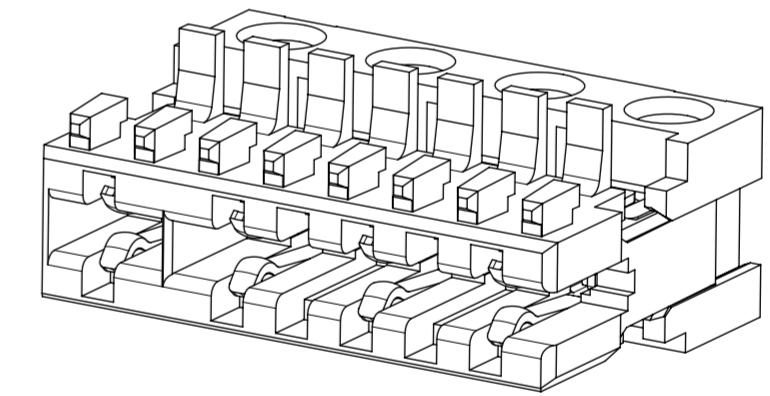


OPTION F END WALLS	
FIRST END WALL	LAST END WALL
NARROW FLUSH	OPEN

OPTION F: FIRST END NARROW FLUSH
LAST END WALL OPEN
SHOWN WITH SINGLE ROW CODING KEYS
RIB SHOWN BETWEEN CCTS 3&4

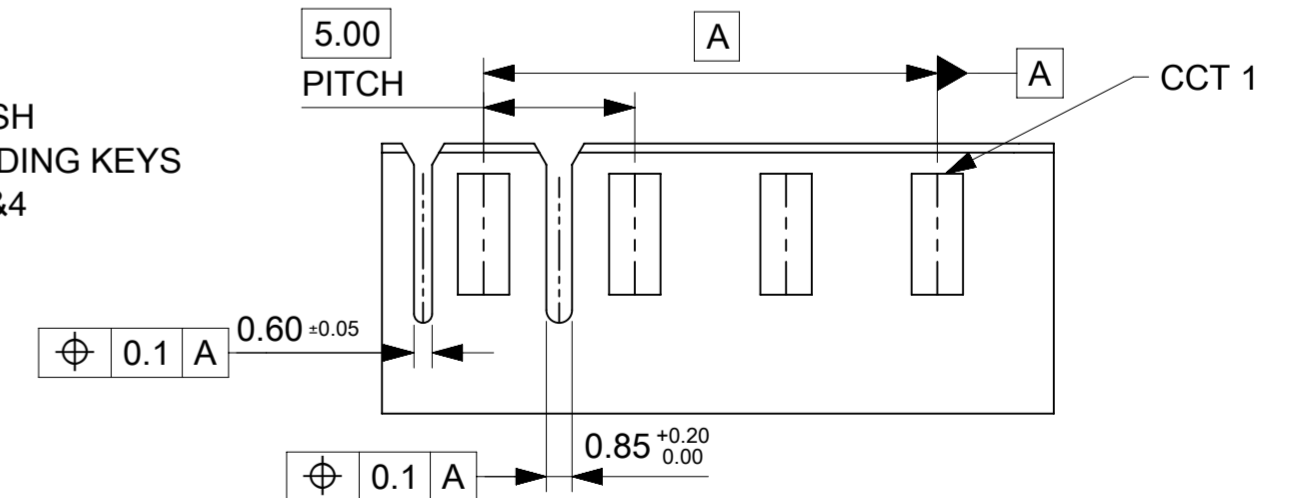


1 ROW CODING KEYS OPTION G
END WALLS WITH POLARIZING RIBS



OPTION G END WALLS	
FIRST END WALL	LAST END WALL
OPEN	NARROW FLUSH

OPTION G: FIRST END OPEN
LAST END WALL NARROW FLUSH
SHOWN WITH SINGLE ROW CODING KEYS
RIB SHOWN BETWEEN CCTS 3&4



- NOTES:
1. ALL UNSPECIFIED DIMENSIONS SEE SHEET 1
 2. PCB FEATURES WHEN USED ARE IDENTICAL IN SIZE AND POSITION ACROSS PCB OPTIONS
 3. OPTIONS SHOWN ARE FOR REFERENCE ONLY, FOR PART CONFIGURATIONS SEE SHEETS 4-8
 4. FOR PARTS NOT LISTED ON THIS DRAWING PLEASE CONTACT YOUR MOLEX SALES ENGINEER

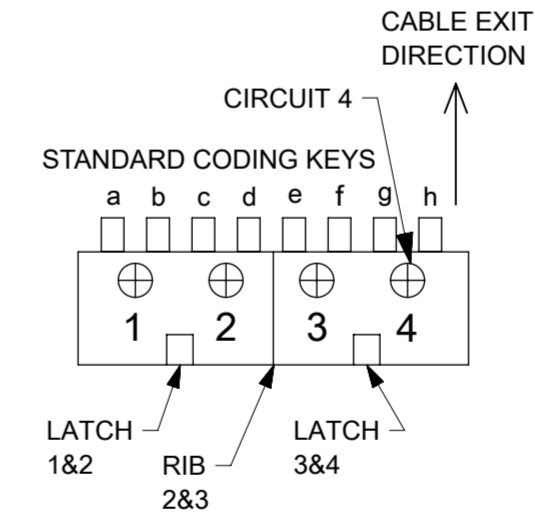
THIS DRAWING CONTAINS INFORMATION THAT IS PROPRIETARY TO MOLEX ELECTRONIC TECHNOLOGIES, LLC AND SHOULD NOT BE USED WITHOUT WRITTEN PERMISSION

EC NO: 736404 DRWN: MBN02 CHKD: RAHULH3 APPR: MRAMAKRISHNA	2022/05/30	2023/02/08	2023/02/08	GENERAL TOLERANCES (UNLESS SPECIFIED)	DIMENSION UNITS	SCALE		
	4 PLACES	±		mm		DRWN BY		DATE
	3 PLACES	±	0.05		ANGULAR TOL ± 0.5 °	MBN02		2022/05/30
	2 PLACES	±	0.1			CHK'D BY		DATE
1 PLACE	±	0.2			MRAMAKRISHNA	2023/02/08	R POWER 10 AMP BLACK LATI 5MM TERMINAL PITCH (MATL: NYLON PA66)	
0 PLACES	±						PRODUCT CUSTOMER DRAWING	
DRAFT WHERE APPLICABLE MUST REMAIN WITHIN DIMENSIONS		A2		THIRD ANGLE PROJECTION		SERIES: 220958 MATERIAL NUMBER: SEE CHARTS CUSTOMER: GENERAL MARKET		
DOCUMENT STATUS: P1		RELEASE DATE: 2023/02/08 08:56:08		DRAWING SIZE: A2		DOCUMENT NUMBER: 2209580001 DOC TYPE: PSD DOC PART: 000 SHEET NUMBER: 3 OF 9		

2 CIRCUIT

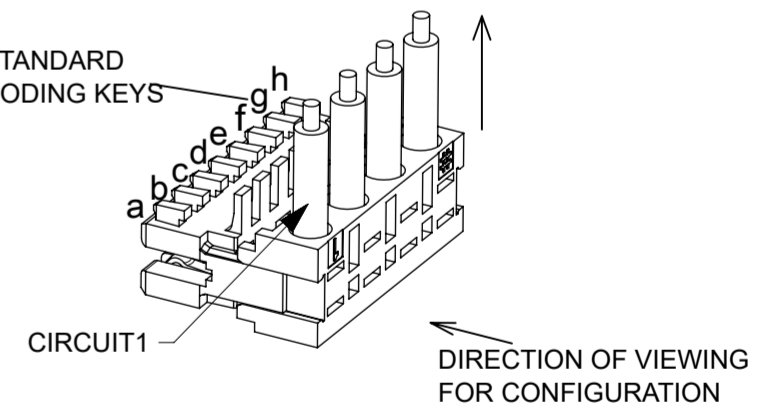
PART NUMBER	HOUSING USED	TERMINAL No.	TERMINAL VOID POSITION	REMOVED CODING KEYS	CONFIGURATION	LATCH BETWEEN	POLARIZING RIB BETWEEN	FIRST ENDWALL	LAST ENDWALL	COLOUR STRIPE
220958-0001	220850-0002	93268-0004	NONE	NONE		NONE	NONE	OPEN	OPEN	NONE
220958-0002	220851-2002	93268-0004	NONE	NONE		CCT 1 & 2	NONE	OPEN	OPEN	NONE

KEYING, CODING & LATCH IDENTIFICATION VIEWED IN MATING DIRECTION



CABLE EXIT DIRECTION

STANDARD CODING KEYS



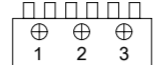
NOTES

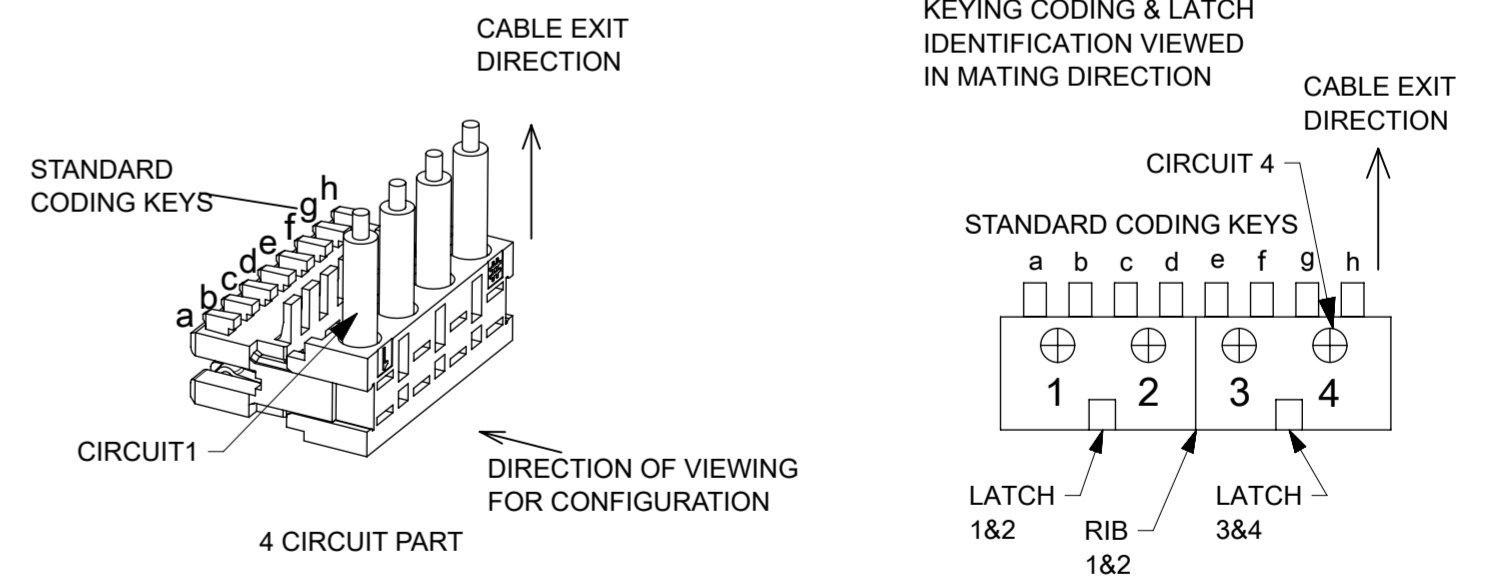
4 CIRCUIT PART


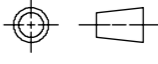
- + DENOTES TERMINAL VOIDED POSITION
⊕ DENOTES TERMINAL LOADED POSITION
| DENOTES POLARIZING RIB POSITION
- MOLEX HOUSING NO. FOR REFERENCE ONLY

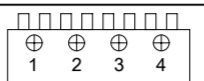
THIS DRAWING CONTAINS INFORMATION THAT IS PROPRIETARY TO MOLEX ELECTRONIC TECHNOLOGIES, LLC AND SHOULD NOT BE USED WITHOUT WRITTEN PERMISSION

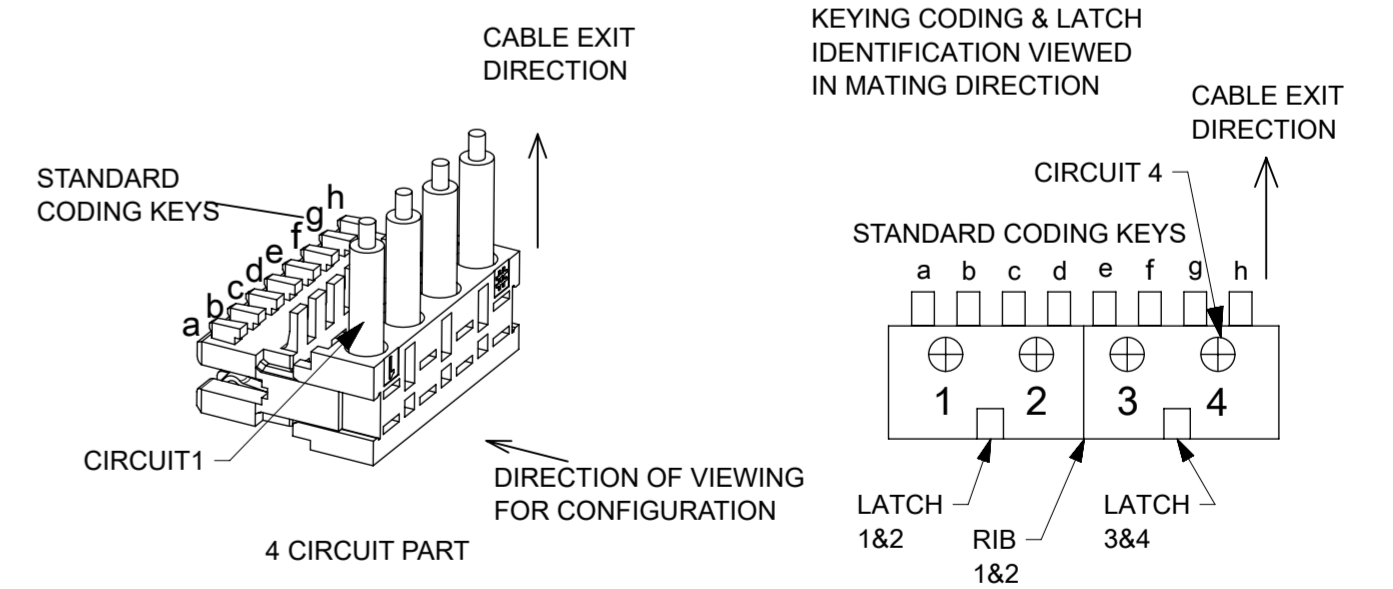
EC NO: 736404 DRWN: MBN02 CHKD: RAHULH3 APPR: MRAMAKRISHNA	2022/05/30	2023/02/08	GENERAL TOLERANCES (UNLESS SPECIFIED) mm ANGULAR TOL ± 0.5 ° 4 PLACES ± 3 PLACES ± 0.05 2 PLACES ± 0.1 1 PLACE ± 0.2 0 PLACES ± DRAFT WHERE APPLICABLE MUST REMAIN WITHIN DIMENSIONS	DIMENSION UNITS	SCALE		
	DRWN BY	DATE		mm			
	MBN02	2022/05/30					
	CHK'D BY	DATE					
APPR BY	DATE						
MRAMAKRISHNA	2023/02/08						
PRODUCT CUSTOMER DRAWING			R POWER 10 AMP BLACK LATI 5MM TERMINAL PITCH (MATL: NYLON PA66)				
DRAWING SIZE A2		THIRD ANGLE PROJECTION		SERIES 220958		MATERIAL NUMBER SEE CHARTS	
CUSTOMER GENERAL MARKET		DOCUMENT NUMBER 2209580001		DOC TYPE PSD		DOC PART SHEET NUMBER 000 4 OF 9	


3 CIRCUIT										
PART NUMBER	HOUSING USED	TERMINAL No.	TERMINAL VOID POSITION	REMOVED CODING KEYS	CONFIGURATION	LATCH BETWEEN	POLARIZING RIB BETWEEN	FIRST ENDWALL	LAST ENDWALL	COLOUR STRIPE
220958-1001	220850-0003	93268-0004	NONE	NONE		NONE	NONE	OPEN	OPEN	NONE



THIS DRAWING CONTAINS INFORMATION THAT IS PROPRIETARY TO MOLEX ELECTRONIC TECHNOLOGIES, LLC AND SHOULD NOT BE USED WITHOUT WRITTEN PERMISSION										
EC NO: 736404 DRWN: MBN02 CHKD: RAHULH3 REV: APPR: MRAMAKRISHNA	2022/05/30	GENERAL TOLERANCES (UNLESS SPECIFIED)		DIMENSION UNITS	SCALE					
	2023/02/08	ANGULAR TOL ± 0.5 °		mm						
		4 PLACES	±	DRWN BY	DATE	R POWER 10 AMP BLACK LATI 5MM TERMINAL PITCH (MATL: NYLON PA66)				
		3 PLACES	± 0.05	MBN02	2022/05/30					
		2 PLACES	± 0.1	CHK'D BY	DATE					
	1 PLACE	± 0.2	MRAMAKRISHNA	2023/02/08						
	0 PLACES	±	APPR BY	DATE	PRODUCT CUSTOMER DRAWING					
	DRAFT WHERE APPLICABLE MUST REMAIN WITHIN DIMENSIONS		DRAWING SIZE	THIRD ANGLE PROJECTION	SERIES	MATERIAL NUMBER	CUSTOMER			
	A2		A2		220958		GENERAL MARKET			
					DOCUMENT NUMBER	DOC TYPE	DOC PART	SHEET NUMBER		
					2209580001	PSD	000	5 OF 9		

4 CIRCUIT										
PART NUMBER	HOUSING USED	TERMINAL No.	TERMINAL VOID POSITION	REMOVED CODING KEYS	CONFIGURATION	LATCH BETWEEN	POLARIZING RIB BETWEEN	FIRST ENDWALL	LAST ENDWALL	COLOUR STRIPE
220958-2001	220850-0004	93268-0004	NONE	NONE		NONE	NONE	OPEN	OPEN	NONE



THIS DRAWING CONTAINS INFORMATION THAT IS PROPRIETARY TO MOLEX ELECTRONIC TECHNOLOGIES, LLC AND SHOULD NOT BE USED WITHOUT WRITTEN PERMISSION										
EC NO: 736404 DRWN: MBN02 CHKD: RAHULH3 APPR: MRAMAKRISHNA	2022/05/30	GENERAL TOLERANCES (UNLESS SPECIFIED)		DIMENSION UNITS	SCALE					
	2023/02/08	ANGULAR TOL ± 0.5 °		mm						
		4 PLACES	±	DRWN BY	DATE	R POWER 10 AMP BLACK LATI 5MM TERMINAL PITCH (MATL: NYLON PA66)				
		3 PLACES	± 0.05	MBN02	2022/05/30					
		2 PLACES	± 0.1	CHK'D BY	DATE	PRODUCT CUSTOMER DRAWING				
	1 PLACE	± 0.2	MRAMAKRISHNA	2023/02/08						
	0 PLACES	±	APPR BY	DATE	SERIES	MATERIAL NUMBER	CUSTOMER			
	DRAFT WHERE APPLICABLE MUST REMAIN WITHIN DIMENSIONS		DRAWING SIZE	THIRD ANGLE PROJECTION	220958	GENERAL MARKET				
A	REV	A2			DOCUMENT NUMBER	DOC TYPE	DOC PART	SHEET NUMBER		
					2209580001	PSD	000	6 OF 9		

5 CIRCUIT

PART NUMBER	HOUSING USED	TERMINAL No.	TERMINAL VOID POSITION	REMOVED CODING KEYS	CONFIGURATION	LATCH BETWEEN	POLARIZING RIB BETWEEN	FIRST ENDWALL	LAST ENDWALL	COLOUR STRIPE
220958-3001	220850-0005	93268-0004	NONE	NONE		NONE	NONE	OPEN	OPEN	NONE

THIS DRAWING CONTAINS INFORMATION THAT IS PROPRIETARY TO MOLEX ELECTRONIC TECHNOLOGIES, LLC AND SHOULD NOT BE USED WITHOUT WRITTEN PERMISSION

EC NO: 736404 DRWN: MBN02 CHK'D: RAHULH3 APPR: MRAMAKRISHNA	2022/05/30	GENERAL TOLERANCES (UNLESS SPECIFIED)	DIMENSION UNITS	SCALE				
	2023/02/08	ANGULAR TOL ± 0.5 °	mm					
		4 PLACES ±	DRWN BY	DATE		R POWER 10 AMP BLACK LATI 5MM TERMINAL PITCH (MATL: NYLON PA66)		
		3 PLACES ± 0.05	MBN02	2022/05/30				
		2 PLACES ± 0.1	CHK'D BY	DATE		PRODUCT CUSTOMER DRAWING		
	1 PLACE ± 0.2	MRAMAKRISHNA	2023/02/08					
	0 PLACES ±	APPR BY	DATE	SERIES	MATERIAL NUMBER	CUSTOMER		
		DRAFT WHERE APPLICABLE MUST REMAIN WITHIN DIMENSIONS	DRAWING SIZE	THIRD ANGLE PROJECTION	220958		GENERAL MARKET	
A	REV		A2		DOCUMENT NUMBER	DOC TYPE	DOC PART	SHEET NUMBER
					2209580001	PSD	000	7 OF 9

13

12

11

10

9

8

7

6

5

4

3

2

1


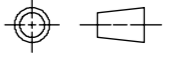
6 CIRCUIT

PART NUMBER	HOUSING USED	TERMINAL No.	TERMINAL VOID POSITION	REMOVED CODING KEYS	CONFIGURATION	LATCH BETWEEN	POLARIZING RIB BETWEEN	FIRST ENDWALL	LAST ENDWALL	COLOUR STRIPE
220958-4001	220850-0006	93268-0004	NONE	NONE	□□□□□□□□□□□□□□ ⊕ ⊕ ⊕ ⊕ ⊕ ⊕ 1 2 3 4 5 6	NONE	NONE	OPEN	OPEN	NONE

7 CIRCUIT

PART NUMBER	HOUSING USED	TERMINAL No.	TERMINAL VOID POSITION	REMOVED CODING KEYS	CONFIGURATION	LATCH BETWEEN	POLARIZING RIB BETWEEN	FIRST ENDWALL	LAST ENDWALL	COLOUR STRIPE
220958-5001	220850-0007	93268-0004	NONE	NONE	□□□□□□□□□□□□□□ ⊕ ⊕ ⊕ ⊕ ⊕ ⊕ ⊕ 1 2 3 4 5 6 7	NONE	NONE	OPEN	OPEN	NONE

THIS DRAWING CONTAINS INFORMATION THAT IS PROPRIETARY TO MOLEX ELECTRONIC TECHNOLOGIES, LLC AND SHOULD NOT BE USED WITHOUT WRITTEN PERMISSION

EC NO: 736404 DRWN: MBN02 CHKD: RAHULH3 APPR: MRAMAKRISHNA	2022/05/30	2023/02/08	2023/02/08	GENERAL TOLERANCES (UNLESS SPECIFIED)	DIMENSION UNITS	SCALE		
				4 PLACES ±	mm			R POWER 10 AMP BLACK LATI 5MM TERMINAL PITCH (MATL: NYLON PA66)
				3 PLACES ± 0.05	DRWN BY	DATE		
				2 PLACES ± 0.1	MBN02	2022/05/30	PRODUCT CUSTOMER DRAWING	
				1 PLACE ± 0.2	CHK'D BY	DATE		
			0 PLACES ±	MRAMAKRISHNA	2023/02/08	SERIES: 220958 MATERIAL NUMBER: 2209580001 CUSTOMER: GENERAL MARKET		
			DRAFT WHERE APPLICABLE MUST REMAIN WITHIN DIMENSIONS	DRAWING SIZE	THIRD ANGLE PROJECTION	DOCUMENT NUMBER: 2209580001 DOC TYPE: PSD DOC PART: 000 SHEET NUMBER: 8 OF 9		
A	REV			A2				

8 CIRCUIT

PART NUMBER	HOUSING USED	TERMINAL No.	TERMINAL VOID POSITION	REMOVED CODING KEYS	CONFIGURATION	LATCH BETWEEN	POLARIZING RIB BETWEEN	FIRST ENDWALL	LAST ENDWALL	COLOUR STRIPE
220958-6001	220850-0008	93268-0004	NONE	NONE		NONE	NONE	OPEN	OPEN	NONE

10 CIRCUIT

PART NUMBER	HOUSING USED	TERMINAL No.	TERMINAL VOID POSITION	REMOVED CODING KEYS	CONFIGURATION	LATCH BETWEEN	POLARIZING RIB BETWEEN	FIRST ENDWALL	LAST ENDWALL	COLOUR STRIPE
220958-8001	220850-0010	93268-0004	NONE	NONE		NONE	NONE	OPEN	OPEN	NONE
220958-8002	220851-2010	93268-0004	NONE	NONE		CCT 1 & 2	NONE	OPEN	OPEN	NONE

9 CIRCUIT

PART NUMBER	HOUSING USED	TERMINAL No.	TERMINAL VOID POSITION	REMOVED CODING KEYS	CONFIGURATION	LATCH BETWEEN	POLARIZING RIB BETWEEN	FIRST ENDWALL	LAST ENDWALL	COLOUR STRIPE
220958-7001	220850-0009	93268-0004	NONE	NONE		NONE	NONE	OPEN	OPEN	NONE

THIS DRAWING CONTAINS INFORMATION THAT IS PROPRIETARY TO MOLEX ELECTRONIC TECHNOLOGIES, LLC AND SHOULD NOT BE USED WITHOUT WRITTEN PERMISSION

EC NO: 736404 DRWN: MBN02 CHK'D: RAHULH3 APPR: MRAMAKRISHNA	2022/05/30	2023/02/08	GENERAL TOLERANCES (UNLESS SPECIFIED) DIMENSION UNITS: mm SCALE:							
	DRWN BY: MBN02 DATE: 2022/05/30									
	CHK'D BY: RAHULH3 DATE:									
	APPR BY: MRAMAKRISHNA DATE: 2023/02/08									
	DRAFT WHERE APPLICABLE MUST REMAIN WITHIN DIMENSIONS									
A	REV		A2	DIMENSION UNITS: mm SCALE:	DRWN BY: MBN02 DATE: 2022/05/30	CHK'D BY: RAHULH3 DATE:	APPR BY: MRAMAKRISHNA DATE: 2023/02/08	DRAWING SIZE: A2 THIRD ANGLE PROJECTION:	SERIES: 220958 MATERIAL NUMBER:	CUSTOMER: GENERAL MARKET
DOCUMENT NUMBER: 2209580001			DOC TYPE: PSD	DOC PART: 000	SHEET NUMBER: 9 OF 9					

Looking for pricing, stock, or lifecycle information?

Click below to explore more details on WIN SOURCE:

 [View 0008500004 on WIN SOURCE](#)

 [Molex, LLC Information](#)

Optimize Your Supply Chain with WIN SOURCE Solutions

-  Global Sourcing Solution
-  Obsolete Management
-  Cost Control Management
-  Shortage Management
-  Alternative Solution
-  Excess Inventory Management