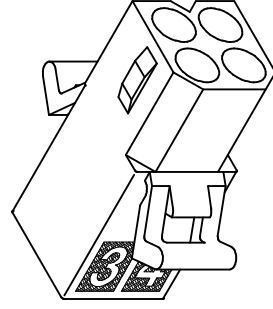
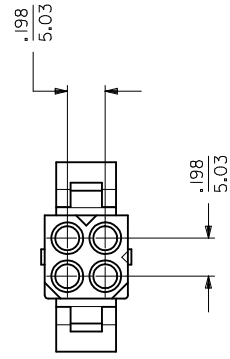
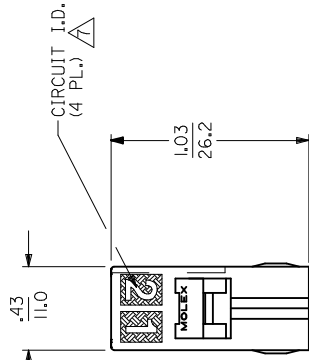
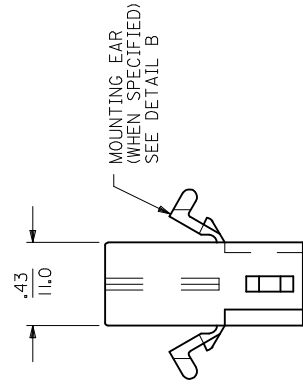
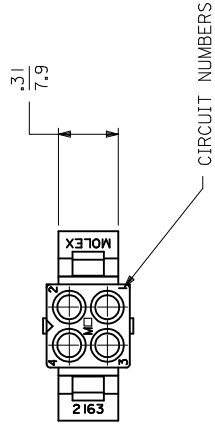




**THE DATASHEET OF**  
**0003092049**

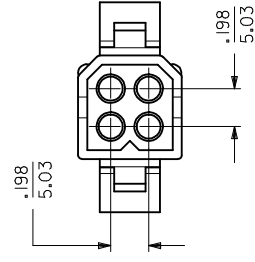
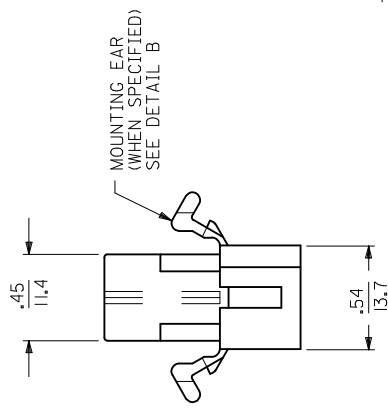
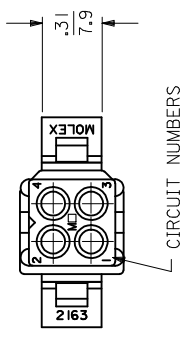


RECEPTACLE



SHOWN WITH PRESENT MOUNTING EAR

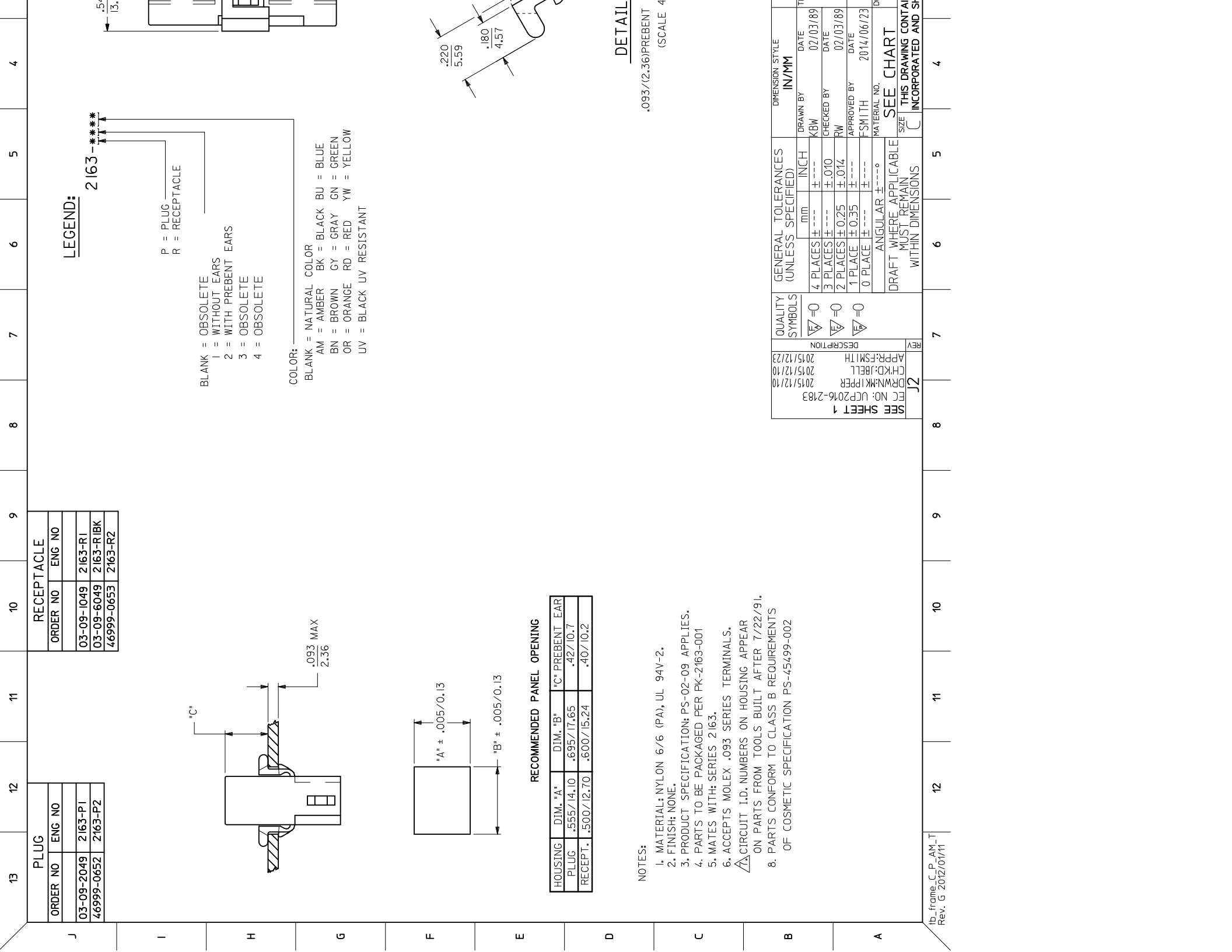
PLUG



SHOWN WITH PRESENT MOUNTING EAR

REVISIONS		DESCRIPTION	
REV	DESCRIPTION	REV	DESCRIPTION
J2	REMOVE OBSOLETE EC NO: UCP2016-2183 DRW:M/K1PPER 2015/12/10		
	CHKD:JBELL 2015/12/10		
	APPR:FSM1TH 2015/12/23		
QUALITY SYMBOLS		GENERAL TOLERANCES (UNLESS SPECIFIED)	
$\nabla = 0$	$\nabla = 0$	mm	INCH
$\nabla = 0$	$\nabla = 0$	4 PLACES $\pm$ ---	$\pm$ ---
$\nabla = 0$	$\nabla = 0$	3 PLACES $\pm$ ---	$\pm 0.10$
		2 PLACES $\pm 0.25$	$\pm 0.014$
		1 PLACE $\pm 0.35$	$\pm$ ---
		0 PLACE $\pm$ ---	$\pm$ ---
DRAFT WHERE APPLICABLE MUST REMAIN WITHIN DIMENSIONS		MATERIAL NO. 2014/06/23	
ANGULAR $\pm$ ---		DATE 02/03/89	
DRAWN BY		DATE 02/03/89	
CHECKED BY		DATE 02/03/89	
APPROVED BY		DATE 2014/06/23	
MATERIAL NO.		DATE	

SEE CHART  
 THIS DRAWING CONTAINS INCORPORATED AND S



**LEGEND:**

2163-\*\*\*  
P = PLUG  
R = RECEPTACLE

BLANK = OBSOLETE  
1 = WITHOUT EARS  
2 = WITH PREBENT EARS  
3 = OBSOLETE  
4 = OBSOLETE

**COLOR:**  
BLANK = NATURAL  
AM = AMBER  
BN = BROWN  
OR = ORANGE  
UV = BLACK UV RESISTANT  
COLOR = NATURAL  
BK = BLACK  
GY = GRAY  
RD = RED  
BU = BLUE  
GN = GREEN  
YW = YELLOW

RECEPTACLE	
ORDER NO	ENG NO
03-09-1049	2163-R1
03-09-6049	2163-R1BK
46999-0653	2163-R2

PLUG	
ORDER NO	ENG NO
03-09-2049	2163-P1
46999-0652	2163-P2

RECOMMENDED PANEL OPENING			
HOUSING	DIM. "A"	DIM. "B"	"C" PREBENT EAR
PLUG	.555/14.10	.695/17.65	.42/10.7
RECEPT.	.500/12.70	.600/15.24	.40/10.2

- NOTES:**
1. MATERIAL: NYLON 6/6 (PA), UL 94V-2.
  2. FINISH: NONE.
  3. PRODUCT SPECIFICATION: PS-02-09 APPLIES.
  4. PARTS TO BE PACKAGED PER PK-2163-001
  5. MATES WITH: SERIES 2163.
  6. ACCEPTS MOLEX .093 SERIES TERMINALS.
  7. CIRCUIT I.D. NUMBERS ON HOUSING APPEAR ON PARTS FROM TOOLS BUILT AFTER 7/22/91.
  8. PARTS CONFORM TO CLASS B REQUIREMENTS OF COSMETIC SPECIFICATION PS-45499-002

REV	DESCRIPTION
J2	FC NO: UCP2076-2183 DRW:MK1PPER 2015/12/10
	CHKD:JBELL 2015/12/10
	APP:FSM1TH 2015/12/23

QUALITY SYMBOLS	
	= 0
	= 0
	= 0

GENERAL TOLERANCES (UNLESS SPECIFIED)	
4 PLACES	± .010
3 PLACES	± .014
2 PLACES	± .025
1 PLACE	± .035
0 PLACE	± .050

DIMENSION STYLE	
IN/MM	

DRAWN BY	
KBW	02/03/89

CHECKED BY	
RW	02/03/89

APPROVED BY	
FSM1TH	2014/06/23

MATERIAL NO. SEE CHART

SIZE THIS DRAWING CONTAINS INCORPORATED AND SH

## Looking for pricing, stock, or lifecycle information?

Click below to explore more details on WIN SOURCE:

 [View 0003092049 on WIN SOURCE](#)

 [Molex, LLC Information](#)

## Optimize Your Supply Chain with WIN SOURCE Solutions

-  Global Sourcing Solution
-  Obsolete Management
-  Cost Control Management
-  Shortage Management
-  Alternative Solution
-  Excess Inventory Management