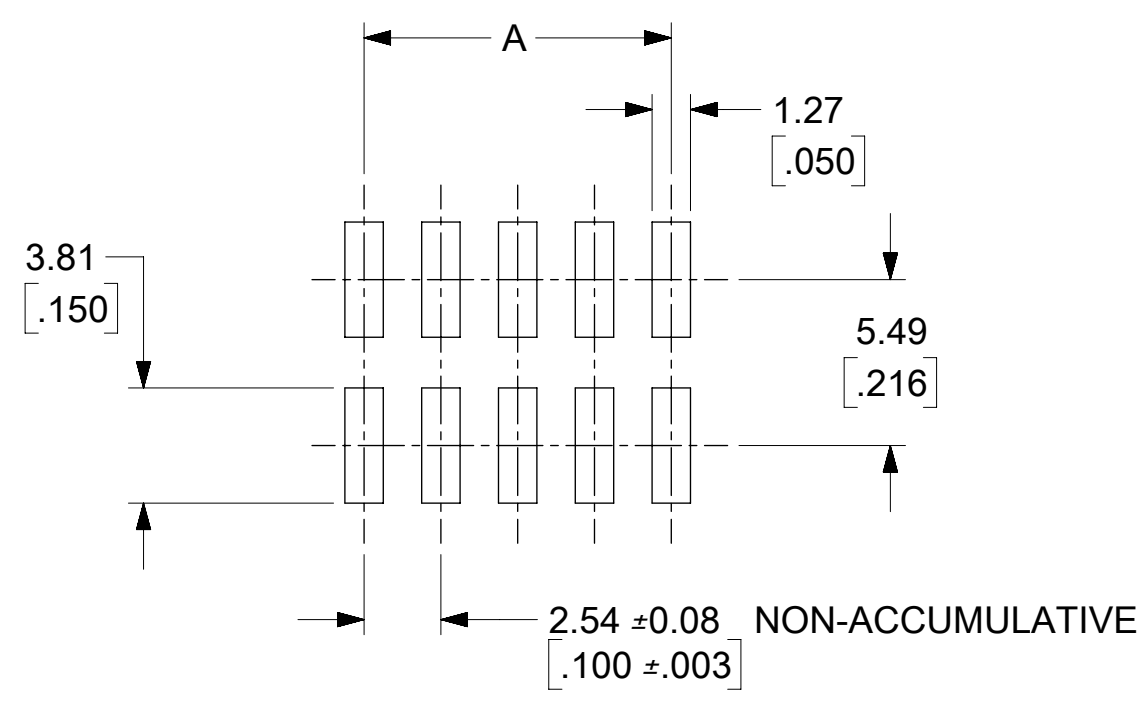
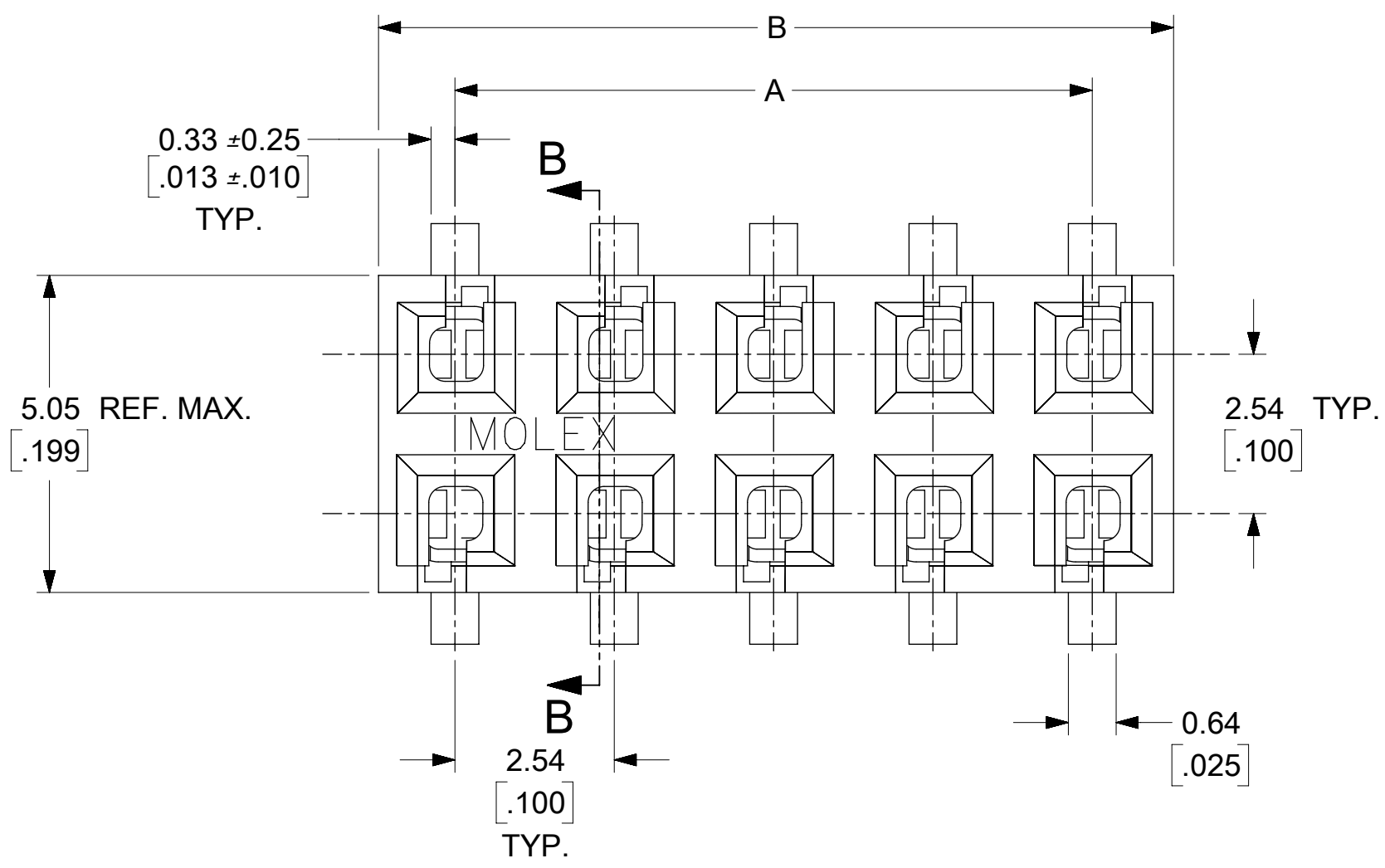


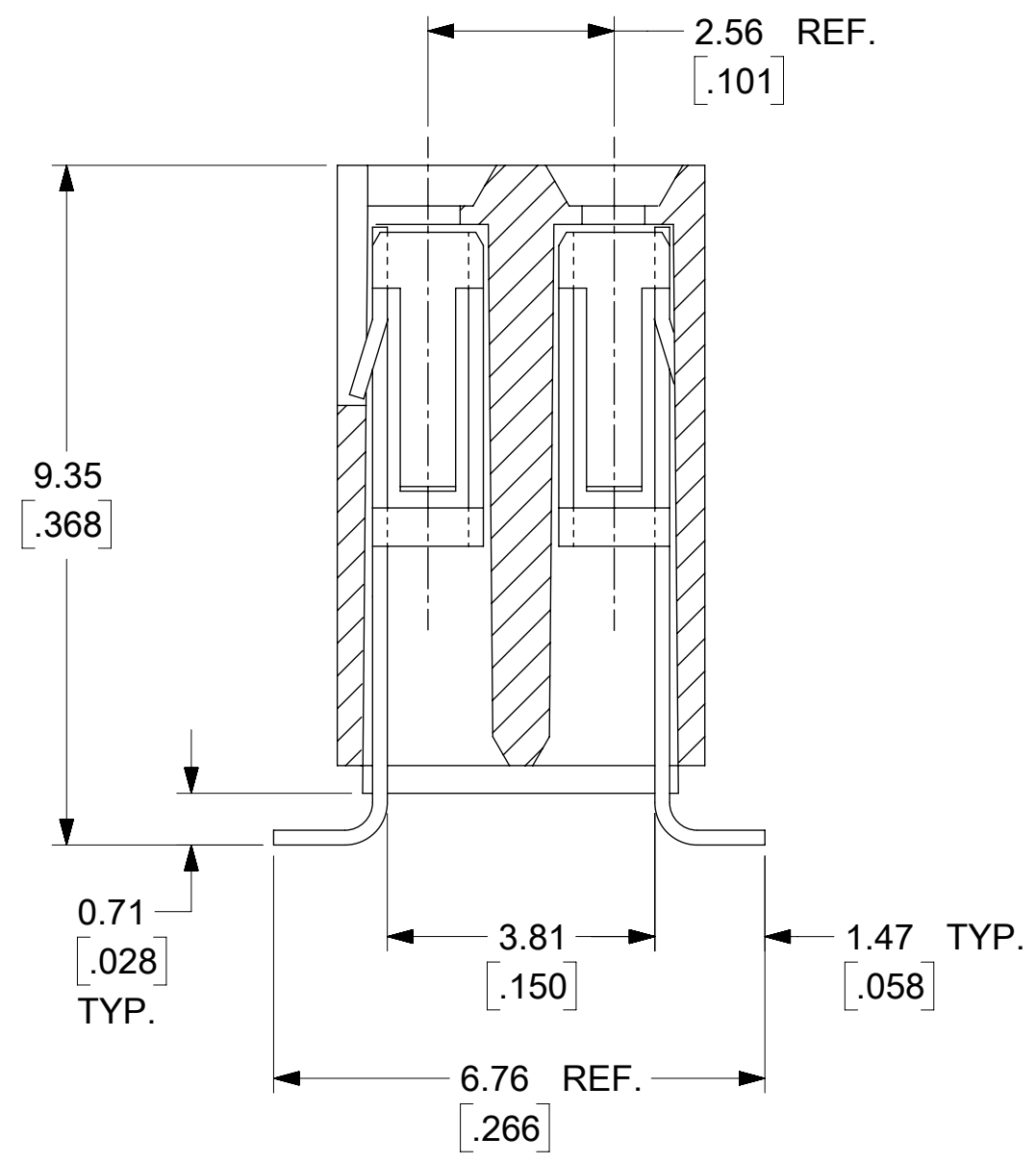
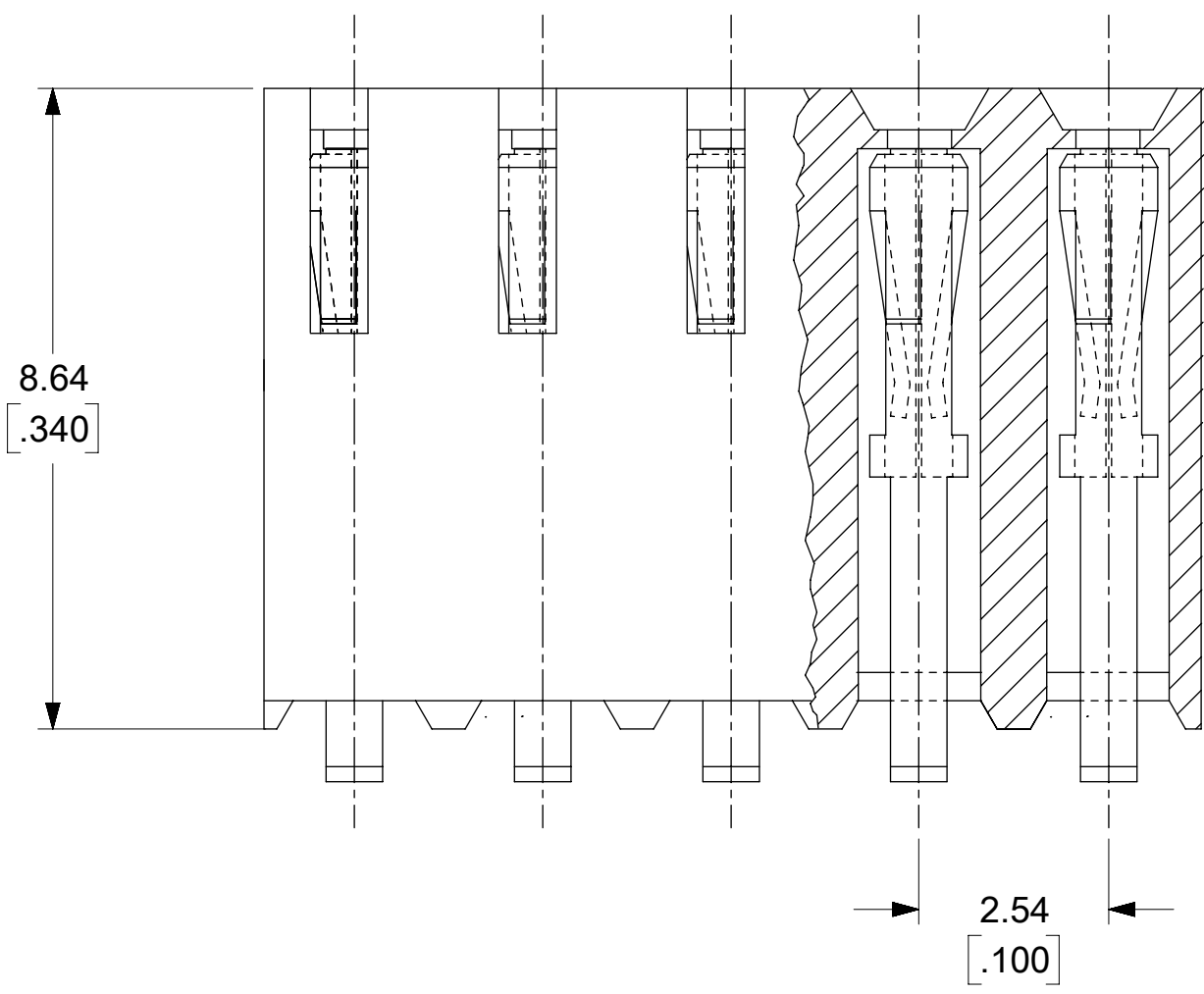


THE DATASHEET OF
0015453108





RECOMMENDED P.C. BOARD LAYOUT
SCALE 4:1



SECTION B-B

- VERSION WITHOUT PCB RETENTION PEGS -

- NOTES:
- HOUSING MATERIAL: G.F LCP: UL 94 V-0
COLOR : BLACK
 - TERMINAL MATERIAL: (0.20)/.008 PHOSPHOR BRONZE.
 - SEE SHEET 2 FOR CIRCUIT SIZES AND OVER-ALL DIMENSIONS.
 - PART CONFORMS TO PS-71395.
 - PACKAGING:
FOR TRAY PACK SEE PK-70873-0304
FOR TAPE AND REEL PACK SEE PK-71395-001
 - PRODUCT COMPLIES WITH CLASS B OF COSMETIC SPECIFICATION PS-45499-002

THIS DRAWING CONTAINS INFORMATION THAT IS PROPRIETARY TO MOLEX ELECTRONIC TECHNOLOGIES, LLC AND SHOULD NOT BE USED WITHOUT WRITTEN PERMISSION									
DIMENSION UNITS		SCALE		CURRENT REV DESC:					
MM/IN		10:1							
GENERAL TOLERANCES (UNLESS SPECIFIED)				EC NO: 631794					
		MM	INCH	DRWN: ABABUPS		2020/02/03			
4 PLACES		±	±	CHK'D: MRAMAKRISHNA		2020/02/11			
3 PLACES		±	± 0.01	APPR: MRAMAKRISHNA		2020/02/11			
2 PLACES		± 0.25	± 0.014	INITIAL REVISION:					
1 PLACE		± 0.35	±	DRWN:					
0 PLACES		±	±	APPR:					
ANGULAR TOL		± 0.5 °		THIRD ANGLE PROJECTION		DRAWING		SERIES	
DRAFT WHERE APPLICABLE MUST REMAIN WITHIN DIMENSIONS				C-SIZE		71395		MATERIAL NUMBER	
								CUSTOMER	
								SHEET NUMBER	
								1 OF 4	

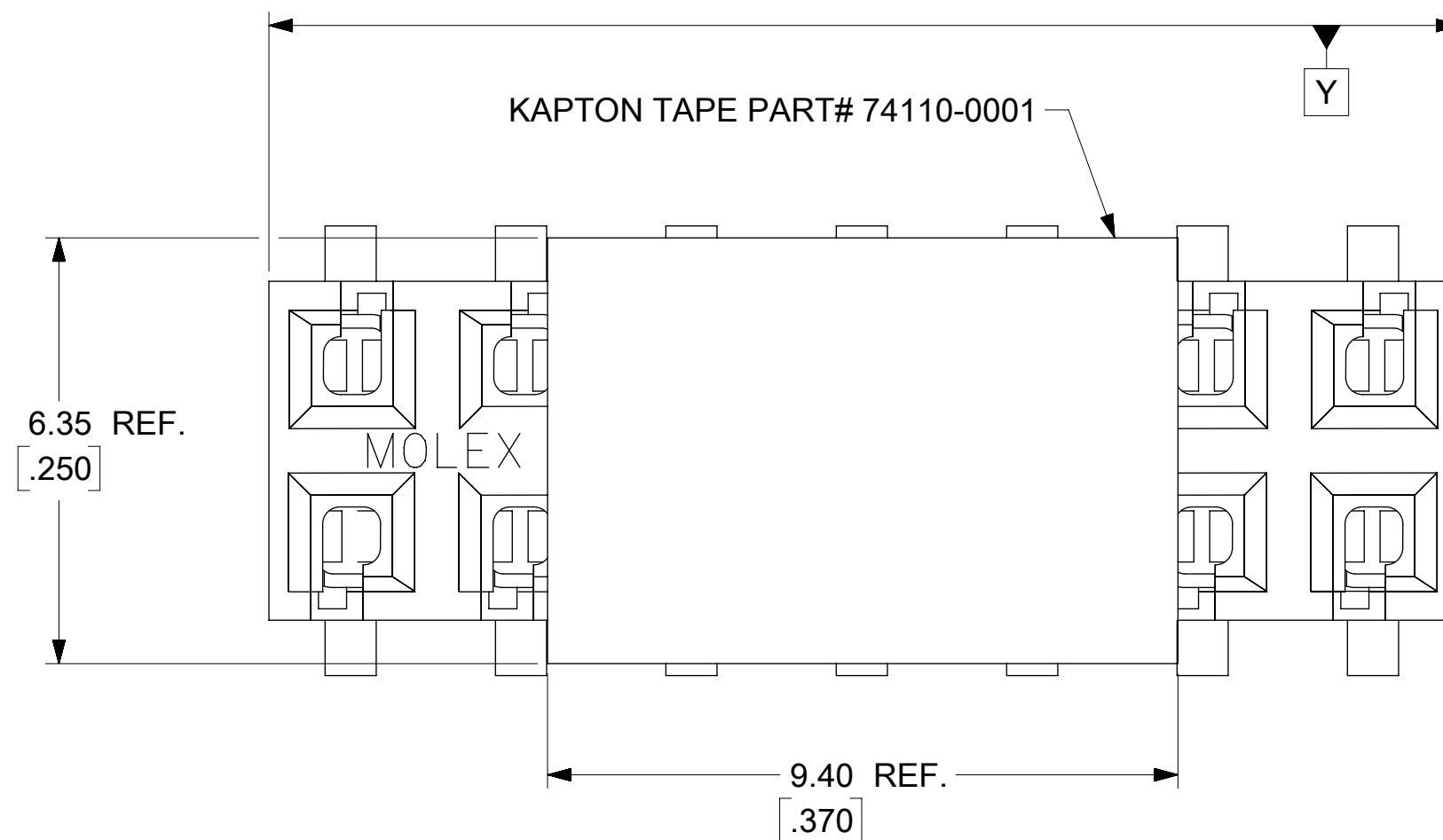
molex

CONNECTOR DUAL ROW
VERTICAL SURFACE MOUNT TOP ENTRY ON .100 GRID

PRODUCT CUSTOMER DRAWING

DOCUMENT NUMBER	DOC TYPE	DOC PART	REVISION
SDA-71395-1XXX	PSD	001	N4

NO. OF CKTS.		TIN PLATING			15 GOLD PLATING			30 GOLD PLATING								
PER ROW	TOTAL	E.D.P. NO.	ENG. NO.	TAPE AND REEL PACKAGING	E.D.P. NO.	ENG. NO.	TAPE AND REEL PACKAGING	E.D.P. NO.	ENG. NO.	TRAY PACKAGING	DIM. "A"		DIM. "B"		INCH	MM
											INCH	MM	INCH	MM		
7	4	NA	NA	NA	NA	NA	NA	71395-5114	A-71395-5114	PK-71395-001	.600	15.24	.699	17.75		
8	6	NA	NA	NA	71395-5016	A-71395-5016	PK-71395-001	NA	NA	NA	.700	17.78	.799	20.29		
		NA	NA	NA	NA	NA	NA	NA	NA	NA						
10	20	NA	NA	NA	71395-5020	A-71395-5020	PK-71395-001	71395-5120	A-71395-5120	PK-71395-001	.900	22.86	.999	25.37		
20	40	NA	NA	NA	71395-5040	A-71395-5040	PK-71395-001	NA	NA	NA	1.900	48.26	1.999	50.77		
		NA	NA	NA	NA	NA	NA	NA	NA	NA						

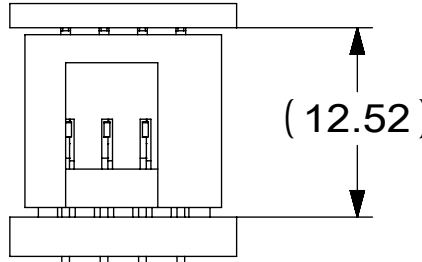
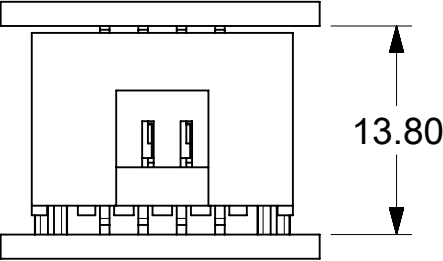


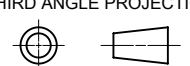
NOTE: KAPTON TAPE TO BE CENTERED ON TOP OF PART IN THE ORIENTATION SHOWN. 14 CIRCUIT SHOWN FOR REFERENCE

THIS DRAWING CONTAINS INFORMATION THAT IS PROPRIETARY TO MOLEX ELECTRONIC TECHNOLOGIES, LLC AND SHOULD NOT BE USED WITHOUT WRITTEN PERMISSION											
DIMENSION UNITS		SCALE		CURRENT REV DESC:							
MM/IN		1:1		molex CONNECTOR DUAL ROW VERTICAL SURFACE MOUNT TOP ENTRY ON .100 GRID PRODUCT CUSTOMER DRAWING EC NO: 631794 DRWN: ABABUPS 2020/02/03 CHK'D: MRAMAKRISHNA 2020/02/11 APPR: MRAMAKRISHNA 2020/02/11 INITIAL REVISION: DRWN: APPR:							
GENERAL TOLERANCES (UNLESS SPECIFIED)											
4 PLACES		±	±								
3 PLACES		±	± 0.01								
2 PLACES		± 0.25	± 0.014								
1 PLACE		± 0.35	±								
0 PLACES		±	±								
ANGULAR TOL		± 0.5 °		THIRD ANGLE PROJECTION 							
DRAFT WHERE APPLICABLE MUST REMAIN WITHIN DIMENSIONS		DRAWING		SERIES		MATERIAL NUMBER		CUSTOMER		SHEET NUMBER	
		C-SIZE		71395		SEE CHART		GENERAL MARKET		3 OF 4	

DOCUMENT STATUS	P1	RELEASE DATE	2020/02/11 09:55:37
-----------------	----	--------------	---------------------

BOARD TO BOARD (BTB) DISTANCE

RECEPTACLE	MATES WITH (HEADER)	BTB DIST.	PICTORIAL VIEW
71395	70567	12.52	
71395	71349	13.80	

THIS DRAWING CONTAINS INFORMATION THAT IS PROPRIETARY TO MOLEX ELECTRONIC TECHNOLOGIES, LLC AND SHOULD NOT BE USED WITHOUT WRITTEN PERMISSION									
DIMENSION UNITS		SCALE		CURRENT REV DESC:				molex	
INCH		2:1							
GENERAL TOLERANCES (UNLESS SPECIFIED)				EC NO: 631794		2020/02/03		CONNECTOR DUAL ROW VERTICAL SURFACE MOUNT TOP ENTRY ON .100 GRID	
		MM	INCH	DRWN: ABABUPS					
4 PLACES		±	±	CHK'D: MRAMAKRISHNA		2020/02/11		PRODUCT CUSTOMER DRAWING	
3 PLACES		±	± 0.01	APPR: MRAMAKRISHNA		2020/02/11			
2 PLACES		± 0.25	± 0.014	INITIAL REVISION:				DOCUMENT NUMBER	
1 PLACE		± 0.35	±	DRWN: DRWN BY		XXXX/XX/XX		SDA-71395-1XXX	
0 PLACES		±	±	APPR: APPR BY		XXXX/XX/XX		PSD 001 N4	
ANGULAR TOL		± 0.5 °		THIRD ANGLE PROJECTION		DRAWING		MATERIAL NUMBER	
DRAFT WHERE APPLICABLE MUST REMAIN WITHIN DIMENSIONS						C-SIZE		SERIES	
						71395		CUSTOMER	
								GENERAL MARKET	
								SHEET NUMBER	
								4 OF 4	

DOCUMENT STATUS	P1	RELEASE DATE	2020/02/11 09:55:37
-----------------	----	--------------	---------------------

Looking for pricing, stock, or lifecycle information?

Click below to explore more details on WIN SOURCE:

 [View 0015453108 on WIN SOURCE](#)

 [Molex, LLC Information](#)

Optimize Your Supply Chain with WIN SOURCE Solutions

-  Global Sourcing Solution
-  Obsolete Management
-  Cost Control Management
-  Shortage Management
-  Alternative Solution
-  Excess Inventory Management