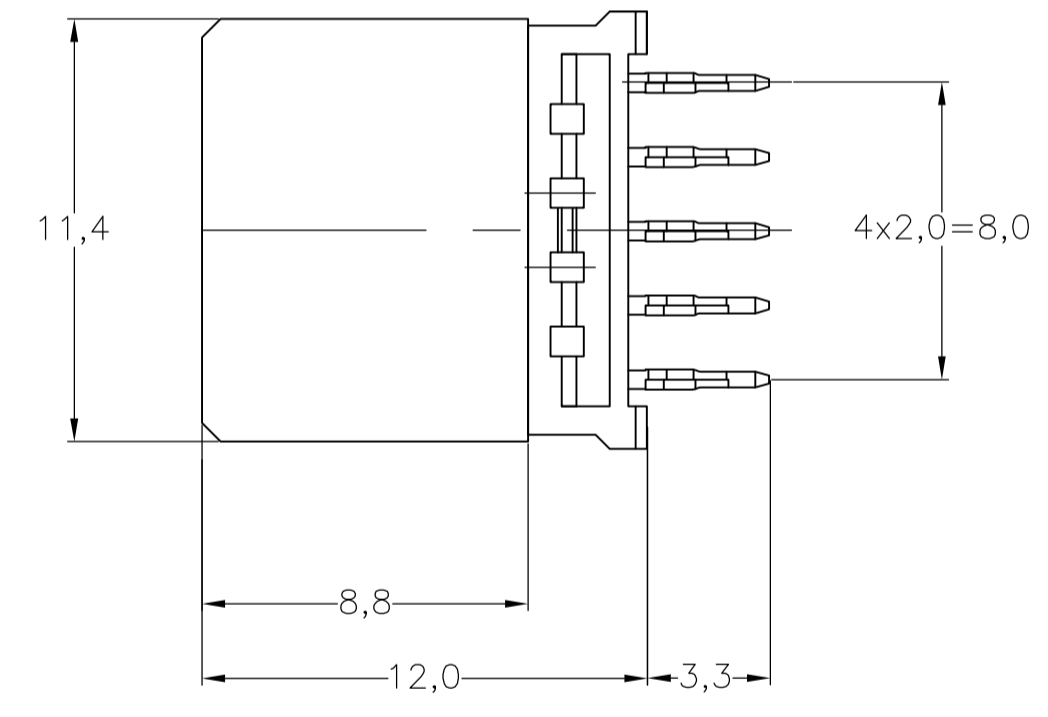
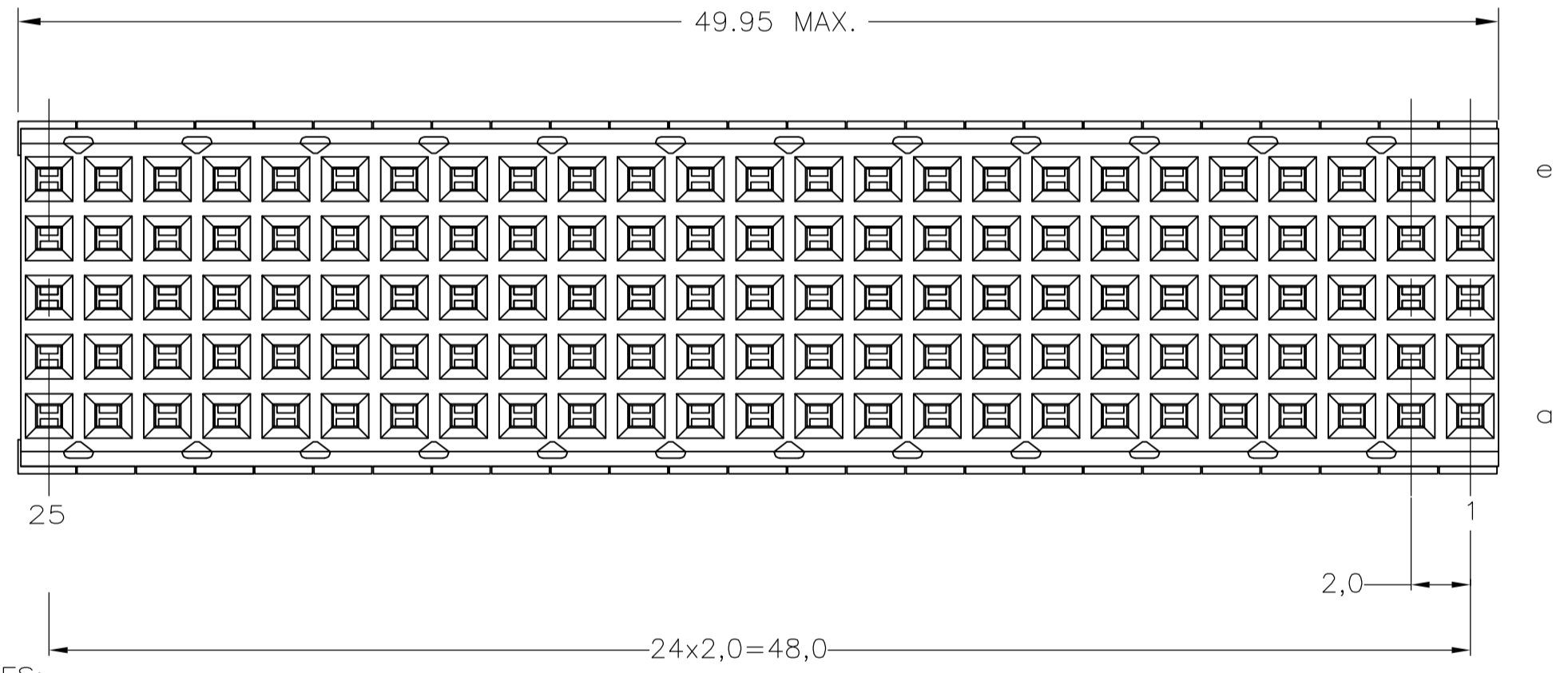
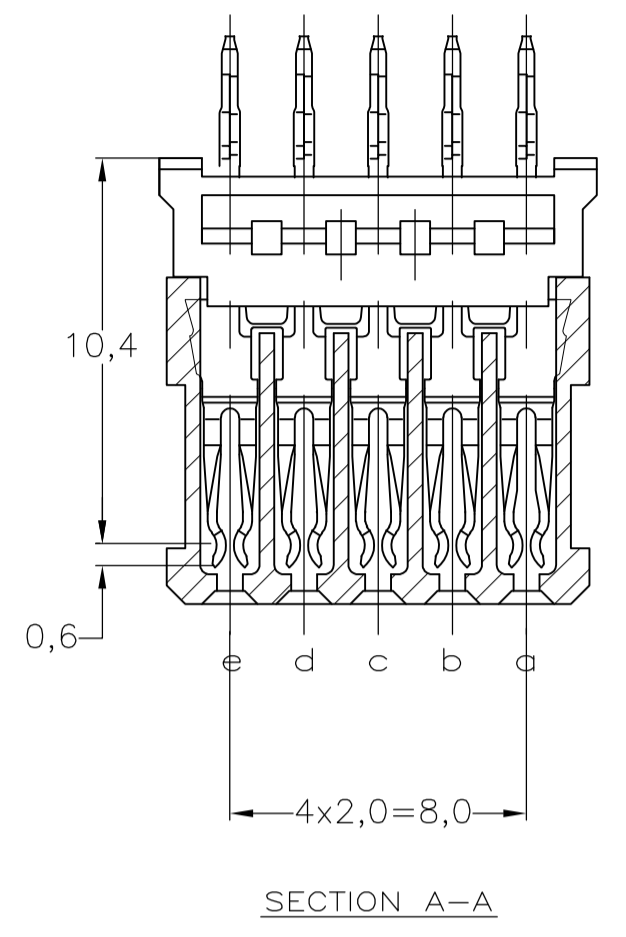
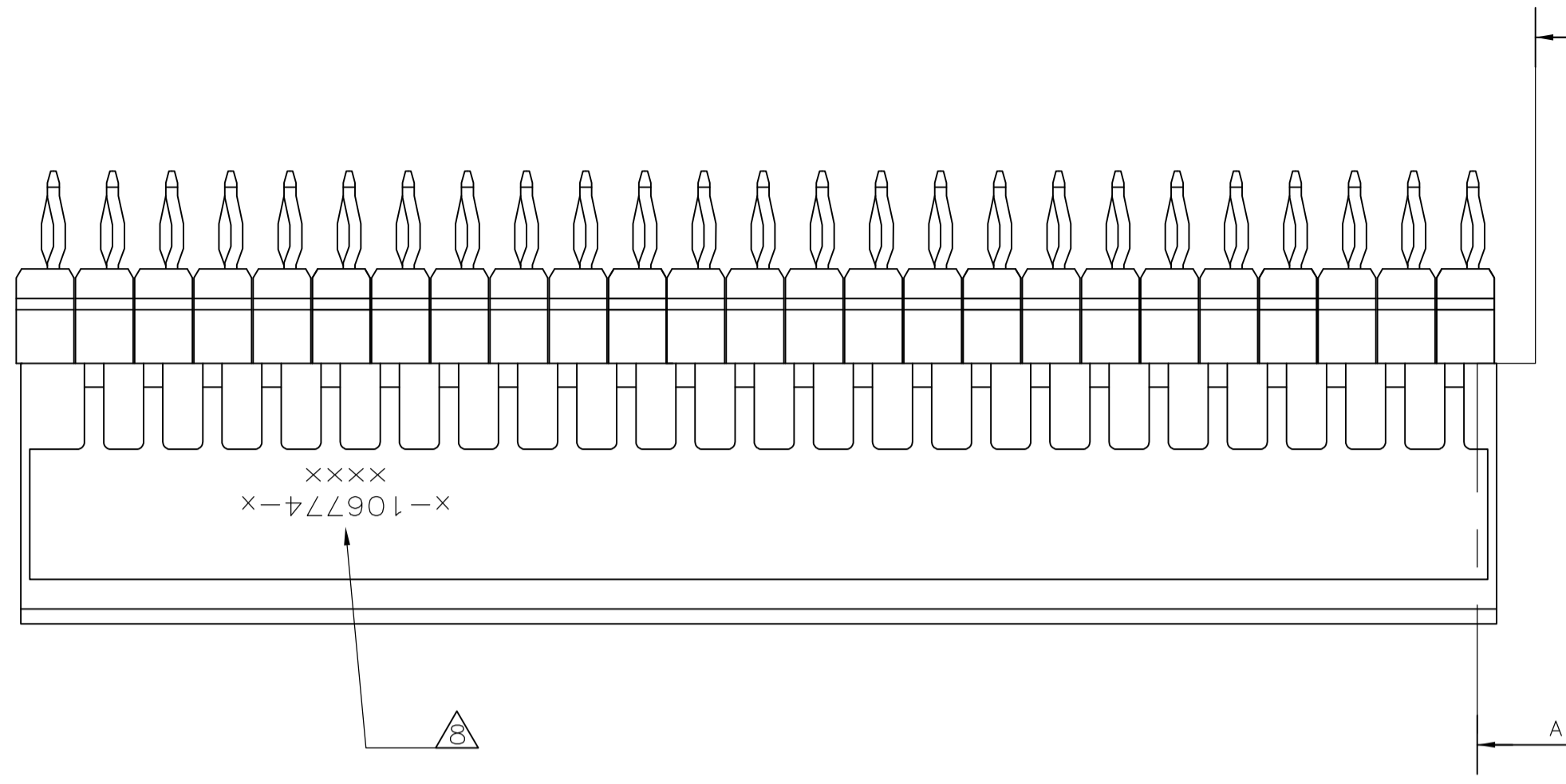
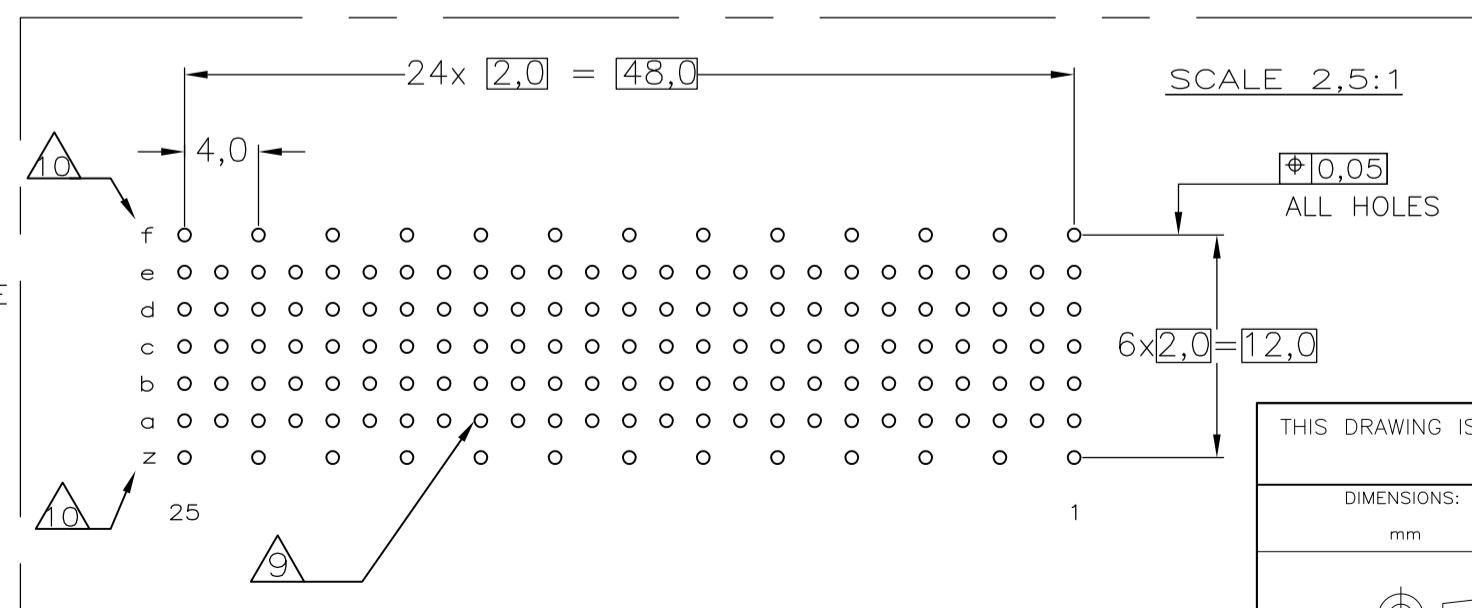


THIS DRAWING IS UNPUBLISHED. RELEASED FOR PUBLICATION
 © COPYRIGHT - By - ALL RIGHTS RESERVED.

LOC		DIST		REVISIONS			
P	LTR	DESCRIPTION	DATE	DWN	APVD		
N		REVISED PER ECO-11-008643	26APR11	RC	CW		
P		ECO-11-024491	13DEC11	SY	MQW		



- NOTES:
- 1 MATERIAL CONTACT: PHOSPHORBRONZE
MATERIAL HOUSING: GLASSFILLED POLYESTER
UL-RATING 94V0 (GRAY).
 - 2 GENERAL PLATING SPECIFICATION: UNDERPLATING (ENTIRE CONTACT): 1,27µm NICKEL MIN. AND ACTION PIN: 0,5µm TIN-LEAD MIN.
FOR PLATING OF MATING SURFACES SEE APPLICABLE SPECIFICATION REFERENCE FOR EACH DASH NUMBER.
 - 3 CONFORMS TO ALL TESTING ACCORDING IEC 61076-4-101 PERFORMANCE LEVEL 2.
 - 4 CONFORMS TO ALL TESTING ACCORDING IEC 61076-4-101 PERFORMANCE LEVEL 1.
 - 5 CONNECTOR TESTED AND QUALIFIED AGAINST TELCORDIA GR-1217-CORE QUALITY LEVEL III, CENTRAL OFFICE APPLICATIONS.
 - 6 CONNECTOR TESTED AND QUALIFIED AGAINST TELCORDIA GR-1217-CORE QUALITY LEVEL III, UNCONTROLLED ENVIRONMENT APPLICATIONS.
 - 7 CONNECTOR LUBRICATED WITH TELCORDIA APPROVED LUBRICANT.
 - 8 CONNECTOR PRINTED WITH PARTNUMBER AND DATECODE.
 - 9 PLATED-THROUGH HOLES AT 2x2mm SQUARE GRID (125 HOLES).
 - 10 HOLES IN ROW f AND z FOR POSSIBLE FUTURE USE OF GROUND RETURN SHIELD. (SHIELDS NOT YET TOOLED)
 - 11 0.76µm MIN GOLD PLATING AT MATING SURFACES.



P.C.B. HOLE DIM. ACTION PIN
 FOR DETAILS SEE APPLICATION SPECIFICATION

THIS DRAWING IS A CONTROLLED DOCUMENT.


DIMENSIONS:	TOLERANCES UNLESS OTHERWISE SPECIFIED:
mm	0-PLC ±
	1-PLC ±
	2-PLC ± ±0.2
	3-PLC ±
	4-PLC ±
MATERIAL	FINISH
-	-

FINISH	MATERIAL	PARTNUMBER
2 3 1 1	1	3-106774-0
2 6 7	1	1-106774-9
2 5 7	1	106774-9
2 4	1	106774-4
2 3	1	106774-1

DWN -		TE Connectivity	
CHK -		NAME	
APVD -		PRODUCT SPEC	
APPLICATION SPEC		108-19082	
DRAWING NO		114-19029	
SIZE	CAGE CODE	DRAWING NO	RESTRICTED TO
A2	00779	106774	-
CUSTOMER DRAWING		SCALE	SHEET
		NTS	1 of 1
		REV	P

Looking for pricing, stock, or lifecycle information?

Click below to explore more details on WIN SOURCE:

 [View 106774-1](#) on WIN SOURCE

 [TE Connectivity](#) Information

Optimize Your Supply Chain with WIN SOURCE Solutions

-  Global Sourcing Solution
-  Obsolete Management
-  Cost Control Management
-  Shortage Management
-  Alternative Solution
-  Excess Inventory Management