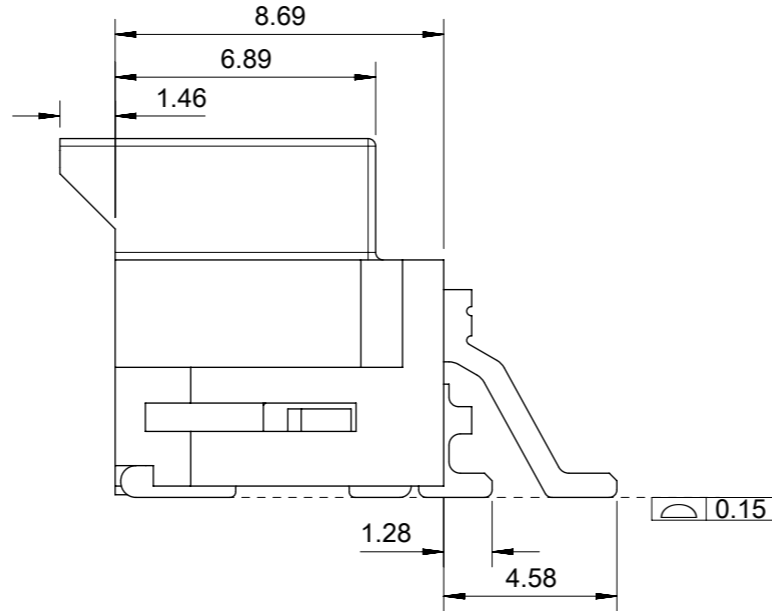
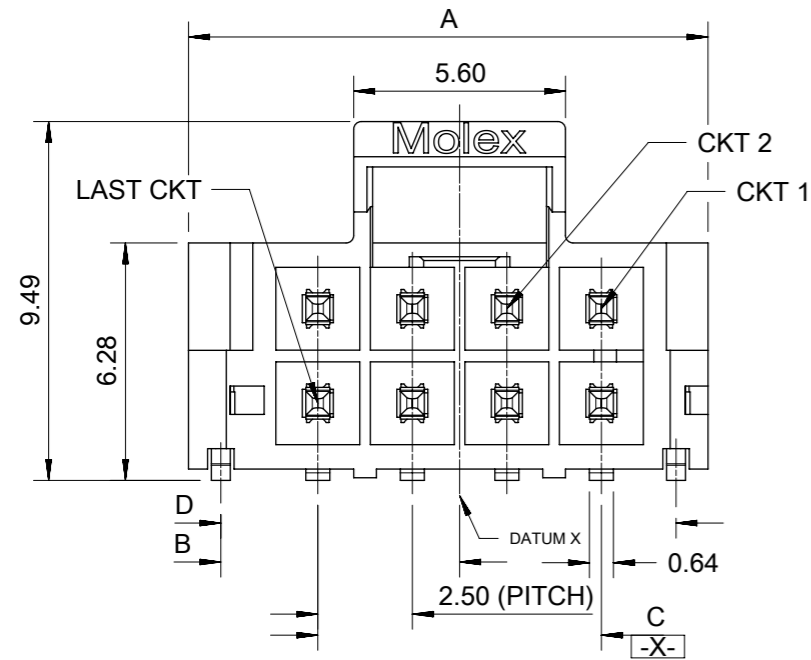


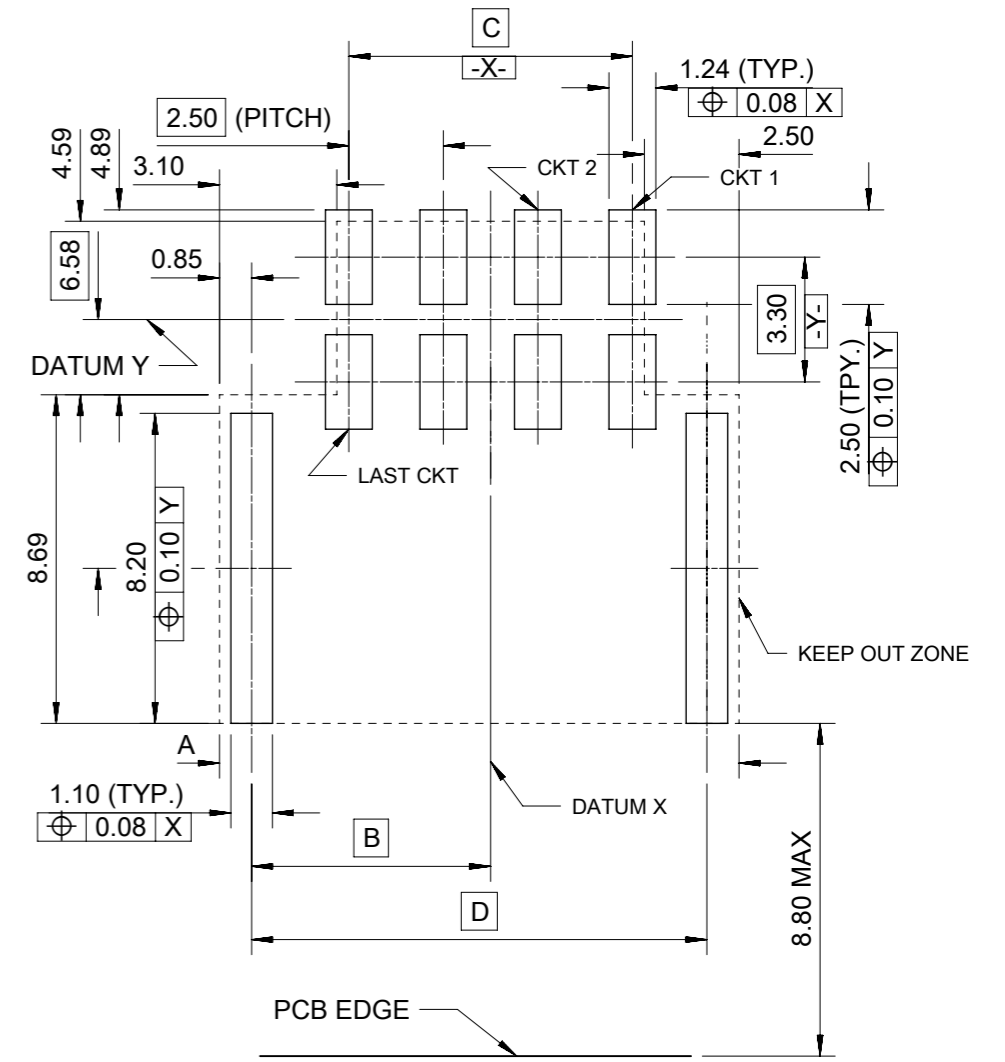


THE DATASHEET OF
1054052204

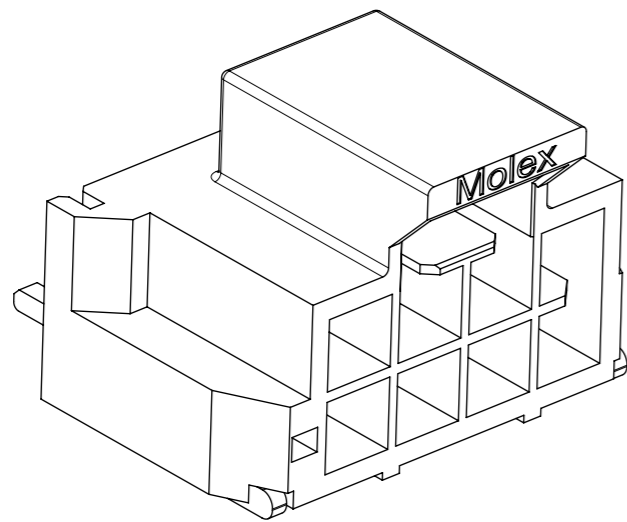




COPLANARITY NOTE:
 THE COPLANARITY DIMENSION IS ESTABLISHED
 BY PLACING THE ASSEMBLY ON A FLAT SURFACE.
 THE DISTANCE FROM THAT SURFACE TO THE
 BOTTOM OF ANY TERMINAL MUST NOT EXCEED 0.15MM.



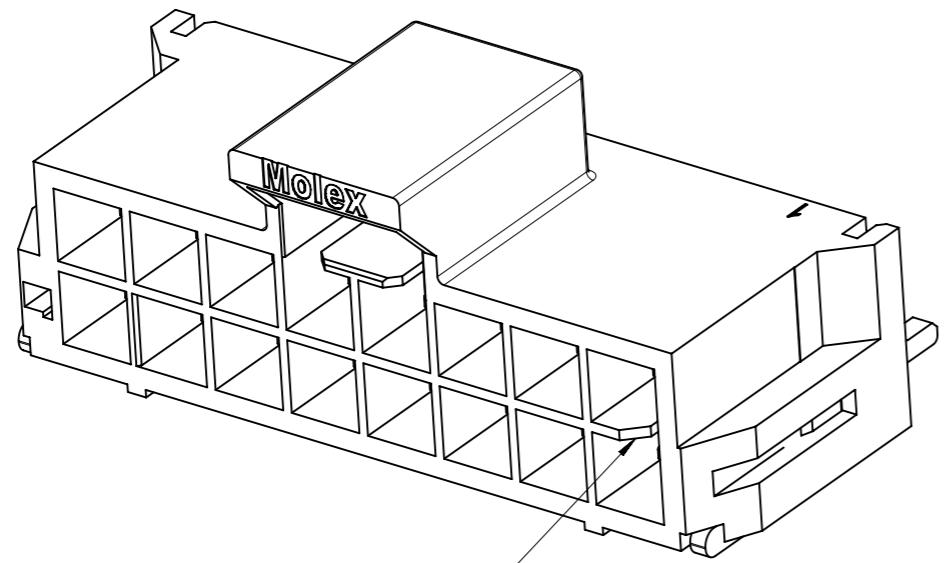
RECOMMENDED PCB LAYOUT (CONNECTOR SIDE VIEW)
 THICKNESS=1.6mm MIN. TOLERANCE: ±0.05
 RECOMMENDED STENCIL THICKNESS=0.2MM.



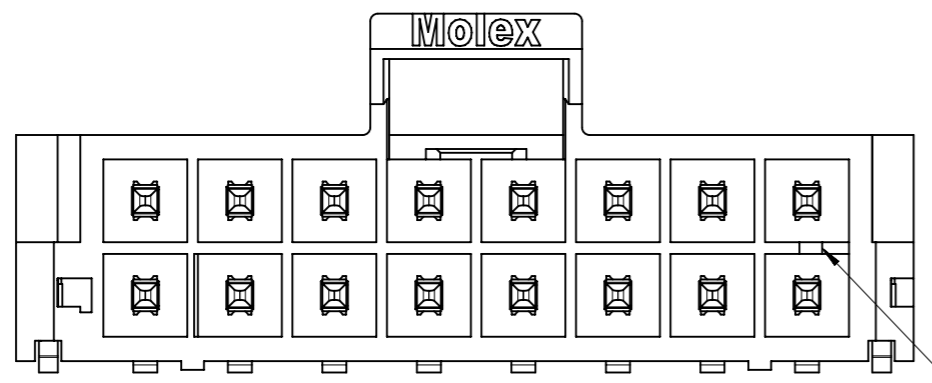
QUALITY SYMBOLS FA = 0 FE = 0 FP = 0 VA = 0 VC = 0 X = 0 ■ = 0 V = 0	THIS DRAWING CONTAINS INFORMATION THAT IS PROPRIETARY TO MOLEX ELECTRONIC TECHNOLOGIES, LLC AND SHOULD NOT BE USED WITHOUT WRITTEN PERMISSION										
	2019/10/10	2019/10/10	2019/10/10	GENERAL TOLERANCES (UNLESS SPECIFIED)		DIMENSION UNITS	SCALE				
	DRWN: GLLI	CHK'D: YXZHENG	APPR: YXZHENG	ANGULAR TOL ± 3.0 °		mm	5:1				
	EC NO: 625433 DRWN: GLLI CHK'D: YXZHENG APPR: YXZHENG	4 PLACES	±	4 PLACES ±		DRWN BY	DATE	SD DRAWING FOR SMT HEADER OF NANO-FIT RA DUAL			
		3 PLACES	±	3 PLACES ±		RFC_PLMMW	2016/01/04				
		2 PLACES	± 0.2	2 PLACES ± 0.2		CHK'D BY	DATE				
		1 PLACE	± 0.3	1 PLACE ± 0.3		APPR BY	DATE				
	0 PLACES ±		0 PLACES ±		AYIN	2016/01/04	PRODUCT CUSTOMER DRAWING				
	DRAFT WHERE APPLICABLE MUST REMAIN WITHIN DIMENSIONS				DRAWING SIZE	THIRD ANGLE PROJECTION	SERIES	MATERIAL NUMBER	CUSTOMER		
					A3		105405		GENERAL MARKET		
						DOCUMENT NUMBER	DOC TYPE	DOC PART	SHEET NUMBER		
						SD-105405-001	PSD	000	1 OF 4		

9 8 7 6 5 4 3 2 1

E
D
C
B
A

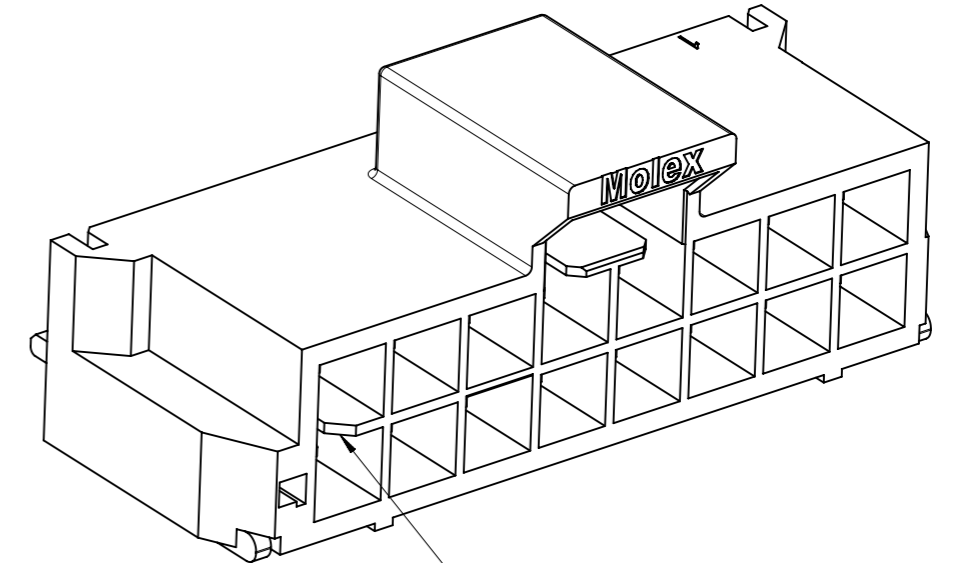


KEY A

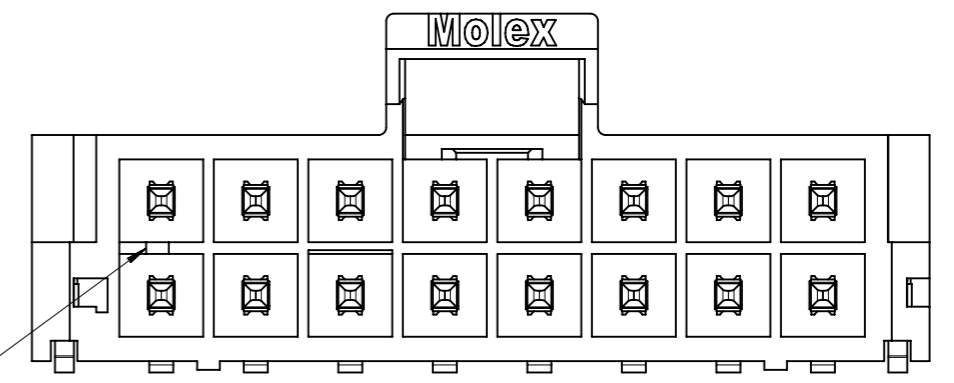


KEY A

BLACK



KEY B



KEY B

NATURAL

COLOR OPTION

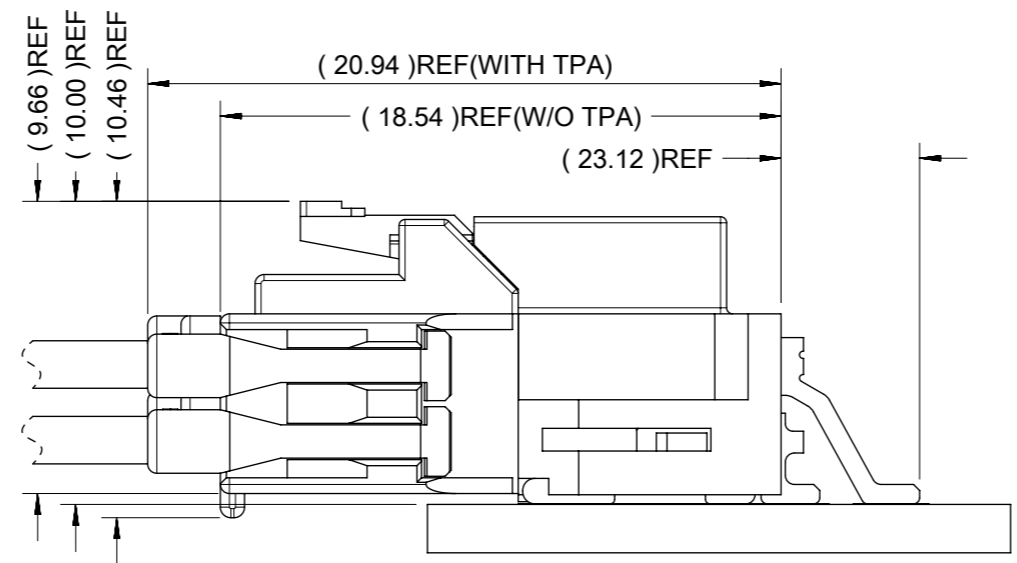
THIS DRAWING CONTAINS INFORMATION THAT IS PROPRIETARY TO MOLEX ELECTRONIC TECHNOLOGIES, LLC AND SHOULD NOT BE USED WITHOUT WRITTEN PERMISSION																	
SYMBOLS		DIMENSION UNITS		SCALE		CURRENT REV DESC: RE-MASTER IN ECTR											
▽ = 0		mm															
▽ = 0		GENERAL TOLERANCES (UNLESS SPECIFIED)										SD DRAWING FOR SMT HEADER OF NANO-FIT RA DUAL					
▽ = 0		ANGULAR TOL ± 3.0°															
▽ = 0		4 PLACES ±				EC NO: 625433						PRODUCT CUSTOMER DRAWING					
▽ = 0		3 PLACES ±				DRWN: GLLI 2019/10/10											
▽ = 0		2 PLACES ±		0.2		CHK'D: YXZHENG 2019/10/10						INITIAL REVISION: DRWN: RFC_PLMMW 2016/01/04 APPR: JALEXANDER 2016/01/04					
▽ = 0		1 PLACE ±		0.3		APPR: YXZHENG 2019/10/10											
▽ = 0		0 PLACES ±				DRWN: RFC_PLMMW 2016/01/04		APPR: JALEXANDER 2016/01/04		DOCUMENT NUMBER		DOC TYPE		DOC PART		REVISION	
▽ = 0		DRAFT WHERE APPLICABLE MUST REMAIN WITHIN DIMENSIONS		THIRD ANGLE PROJECTION		DRAWING		SERIES		MATERIAL NUMBER		CUSTOMER		SHEET NUMBER			
▽ = 0						A3-SIZE		105405		SD-105405-001		PSD		000		E	
										GENERAL MARKET		2 OF 4					

DOCUMENT STATUS	P1	RELEASE DATE	2019/10/10	06:03:13
-----------------	----	--------------	------------	----------

9 8 7 6 5 4 3 2 1

PART NUMBER	DIM. A	DIM. B	DIM. C	DIM. D	CKT SIZE	PLATING	LUBE
105405-1104	8.74	3.82	2.50	7.04	4	TIN	
105405-1106	11.24	5.07	5.00	9.54	6		
105405-1108	13.74	6.32	7.50	12.04	8		
105405-1110	16.24	7.57	10.00	14.54	10		
105405-1112	18.74	8.82	12.50	17.04	12		
105405-1114	21.24	10.07	15.00	19.54	14		
105405-1116	23.74	11.32	17.50	22.04	16		
105405-1204	8.74	3.82	2.50	7.04	4		
105405-1206	11.24	5.07	5.00	9.54	6		
105405-1208	13.74	6.32	7.50	12.04	8		
105405-1210	16.24	7.57	10.00	14.54	10		
105405-1212	18.74	8.82	12.50	17.04	12		
105405-1214	21.24	10.07	15.00	19.54	14		
105405-1216	23.74	11.32	17.50	22.04	16		
105405-1304	8.74	3.82	2.50	7.04	4	GOLD 0.76	
105405-1306	11.24	5.07	5.00	9.54	6		
105405-1308	13.74	6.32	7.50	12.04	8		
105405-1310	16.24	7.57	10.00	14.54	10		
105405-1312	18.74	8.82	12.50	17.04	12		
105405-1314	21.24	10.07	15.00	19.54	14		
105405-1316	23.74	11.32	17.50	22.04	16		
105405-1404	8.74	3.82	2.50	7.04	4		
105405-1406	11.24	5.07	5.00	9.54	6		
105405-1408	13.74	6.32	7.50	12.04	8		
105405-1410	16.24	7.57	10.00	14.54	10		
105405-1412	18.74	8.82	12.50	17.04	12		
105405-1414	21.24	10.07	15.00	19.54	14		
105405-1416	23.74	11.32	17.50	22.04	16		

COLOR: BLACK



PART NUMBER	PACKING DRAWING
105405-XX04	PK-105405-001
105405-XX06	PK-105405-002
105405-XX08	PK-105405-003
105405-XX10	
105405-XX12	PK-105405-004
105405-XX14	
105405-XX16	

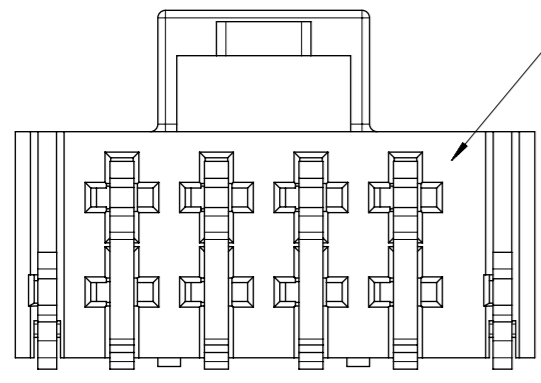
PART NUMBER	DIM. A	DIM. B	DIM. C	DIM. D	CKT SIZE	PLATING	LUBE
105405-2104	8.74	3.82	2.50	7.04	4	TIN	
105405-2106	11.24	5.07	5.00	9.54	6		
105405-2108	13.74	6.32	7.50	12.04	8		
105405-2110	16.24	7.57	10.00	14.54	10		
105405-2112	18.74	8.82	12.50	17.04	12		
105405-2114	21.24	10.07	15.00	19.54	14		
105405-2116	23.74	11.32	17.50	22.04	16		
105405-2204	8.74	3.82	2.50	7.04	4		
105405-2206	11.24	5.07	5.00	9.54	6		
105405-2208	13.74	6.32	7.50	12.04	8		
105405-2210	16.24	7.57	10.00	14.54	10		
105405-2212	18.74	8.82	12.50	17.04	12		
105405-2214	21.24	10.07	15.00	19.54	14		
105405-2216	23.74	11.32	17.50	22.04	16		
105405-2304	8.74	3.82	2.50	7.04	4	GOLD 0.76	
105405-2306	11.24	5.07	5.00	9.54	6		
105405-2308	13.74	6.32	7.50	12.04	8		
105405-2310	16.24	7.57	10.00	14.54	10		
105405-2312	18.74	8.82	12.50	17.04	12		
105405-2314	21.24	10.07	15.00	19.54	14		
105405-2316	23.74	11.32	17.50	22.04	16		
105405-2404	8.74	3.82	2.50	7.04	4		
105405-2406	11.24	5.07	5.00	9.54	6		
105405-2408	13.74	6.32	7.50	12.04	8		
105405-2410	16.24	7.57	10.00	14.54	10		
105405-2412	18.74	8.82	12.50	17.04	12		
105405-2414	21.24	10.07	15.00	19.54	14		
105405-2416	23.74	11.32	17.50	22.04	16		

COLOR: NATURAL

NOTES FOR ALL PARTS

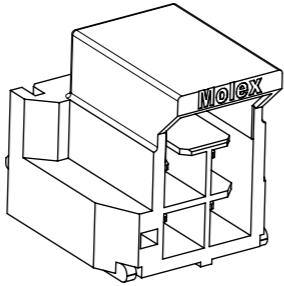
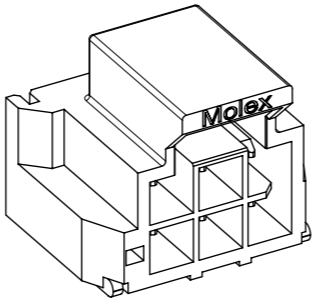
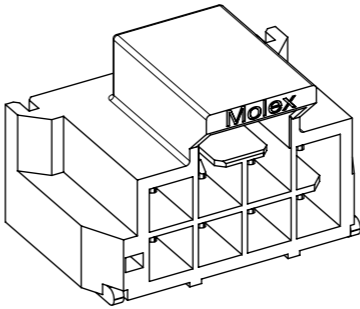
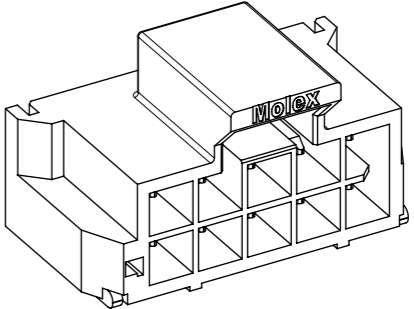
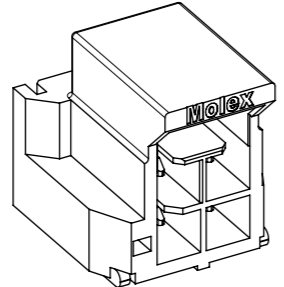
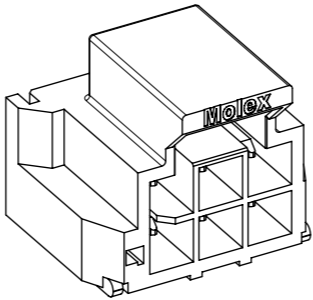
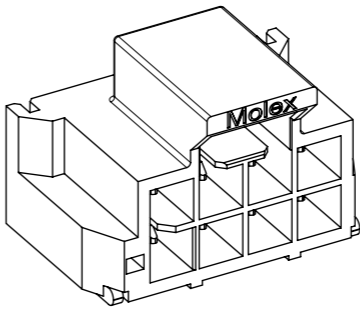
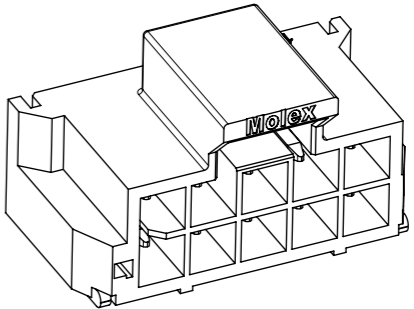
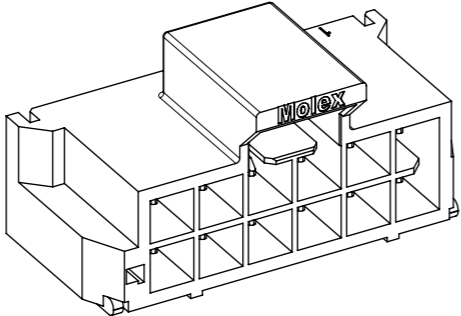
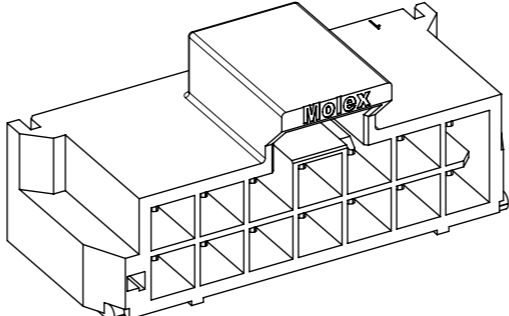
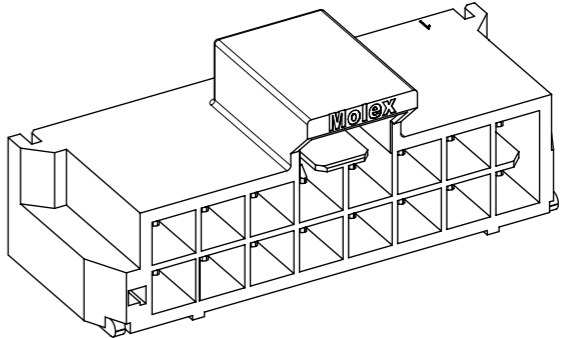
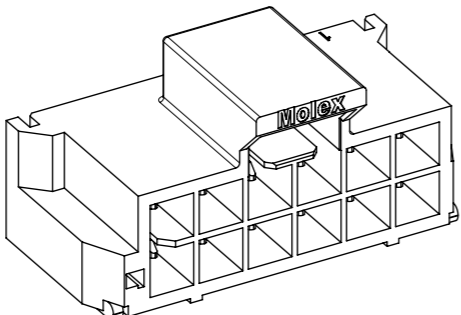
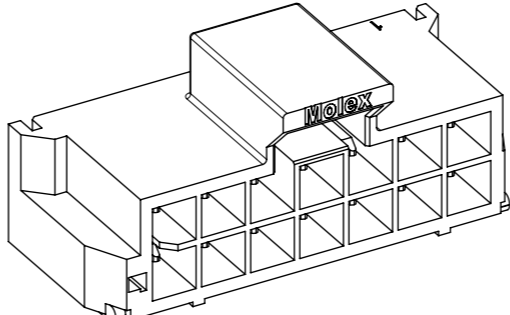
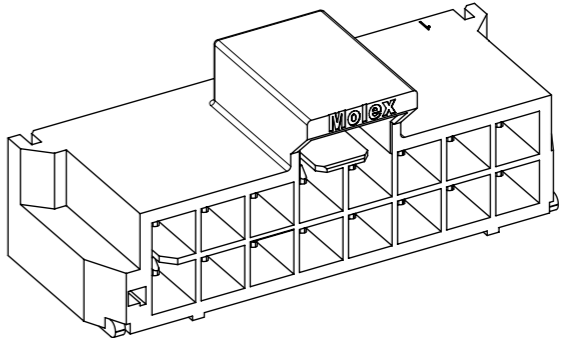
1> MATERIAL:
HOUSING: LCP, UL 94V-0.
TERMINAL: BRASS.
SOLDER CLIP: BRASS.
2> PLATING FINISHED:
TERMINAL:
CONTACT AREA:
a. REFLOWED MATTE TIN 0.76 MICRONS MIN; b. GOLD 0.38 MICRONS MIN; c. GOLD 0.76 MICRONS MIN.
SOLDER AREA: TIN 0.76 MICRONS MINIMUM.
UNDER PLATING NICKEL 1.25 MICRONS MINIMUM.
SOLDER CLIP: TIN 2.5 MICRONS MINIMUM; UNDER PLATING NICKEL 1.25 MICRONS MINIMUM.



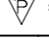

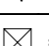

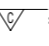

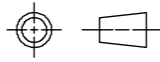
3> PRODUCT SPECIFICATION: PS-105405-001.
4> PACKAGE: REEL, OTHER INFORMATION REFER TO CHAT.
5> ALL COMPONENTS AND PRODUCT COMPLIANT TO RoHS DIRECTIVE 2011/65/EU AND ELV DIRECTIVE 2000/53/EC.
6> PRODUCT MATE WITH SERIES OF 105308(RECEPTACLE), 105300(CRIMP TERMINAL).
7> PARTS CONFORM TO CLASS 'B' REQUIREMENTS OF COSMETIC SPECIFICATION PS-45499-002.



IF ANY NUMBER MARK APPEARS ON THIS SURFACE, PLEASE DISREGARD IT, IT IS NO ANY FUCTION AND NO ANY RELATION TO PIN NUMBER, IT IS JUST FOR MOLDING IDENTIFICATION.

THIS DRAWING CONTAINS INFORMATION THAT IS PROPRIETARY TO MOLEX ELECTRONIC TECHNOLOGIES, LLC AND SHOULD NOT BE USED WITHOUT WRITTEN PERMISSION											
QUALITY SYMBOLS		2019/10/10		GENERAL TOLERANCES (UNLESS SPECIFIED)		DIMENSION UNITS		SCALE			
FA = 0 FE = 0 FB = 0 FC = 0 FD = 0 FE = 0 FF = 0 FG = 0 FH = 0 FI = 0 FJ = 0 FK = 0 FL = 0		2019/10/10		ANGULAR TOL ± 3.0 °		mm		5:1			
EC NO: 625433 DRWN: GLLI CHK'D: YXZHENG APPR: YXZHENG		2019/10/10		4 PLACES ±		DRWN BY		DATE		SD DRAWING FOR SMT HEADER OF NANO-FIT RA DUAL	
E		REV		3 PLACES ±		RFC_PLMMW		2016/01/04			
				2 PLACES ± 0.2		CHK'D BY		DATE		PRODUCT CUSTOMER DRAWING	
				1 PLACE ± 0.3		APPR BY		DATE			
				0 PLACES ±		AYIN		2016/01/04		SERIES: 105405 MATERIAL NUMBER: GENERAL MARKET CUSTOMER:	
				DRAFT WHERE APPLICABLE MUST REMAIN WITHIN DIMENSIONS		DRAWING SIZE		THIRD ANGLE PROJECTION		DOCUMENT NUMBER: SD-105405-001 DOC TYPE: PSD DOC PART: 000 SHEET NUMBER: 3 OF 4	
						A3					

	4 CKT	6 CKT	8 CKT	10 CKT
BLACK				
NATURAL				
	12 CKT	14 CKT	16 CKT	
BLACK				
NATURAL				

THIS DRAWING CONTAINS INFORMATION THAT IS PROPRIETARY TO MOLEX ELECTRONIC TECHNOLOGIES, LLC AND SHOULD NOT BE USED WITHOUT WRITTEN PERMISSION											
QUALITY SYMBOLS  = 0  = 0  = 0  = 0  = 0  = 0  = 0		2019/10/10 2019/10/10 2019/10/10		GENERAL TOLERANCES (UNLESS SPECIFIED) ANGULAR TOL ± 3.0 ° 4 PLACES ± 3 PLACES ± 2 PLACES ± 0.2 1 PLACE ± 0.3 0 PLACES ±		DIMENSION UNITS mm		SCALE 3:1		 SD DRAWING FOR SMT HEADER OF NANO-FIT RA DUAL	
EC NO: 625433 DRWN: GLLI CHK'D: YXZHENG APPR: YXZHENG		DRW BY: RFC_PLMMW DATE: 2016/01/04		CHK'D BY: DATE:		APPR BY: AYIN DATE: 2016/01/04		PRODUCT CUSTOMER DRAWING			
DRAFT WHERE APPLICABLE MUST REMAIN WITHIN DIMENSIONS		A3		THIRD ANGLE PROJECTION 		SERIES: 105405 MATERIAL NUMBER: CUSTOMER: GENERAL MARKET		DOCUMENT NUMBER: SD-105405-001 DOC TYPE: PSD DOC PART: 000 SHEET NUMBER: 4 OF 4			

Looking for pricing, stock, or lifecycle information?

Click below to explore more details on WIN SOURCE:

 [View 1054052204 on WIN SOURCE](#)

 [Molex, LLC Information](#)

Optimize Your Supply Chain with WIN SOURCE Solutions

-  Global Sourcing Solution
-  Obsolete Management
-  Cost Control Management
-  Shortage Management
-  Alternative Solution
-  Excess Inventory Management