

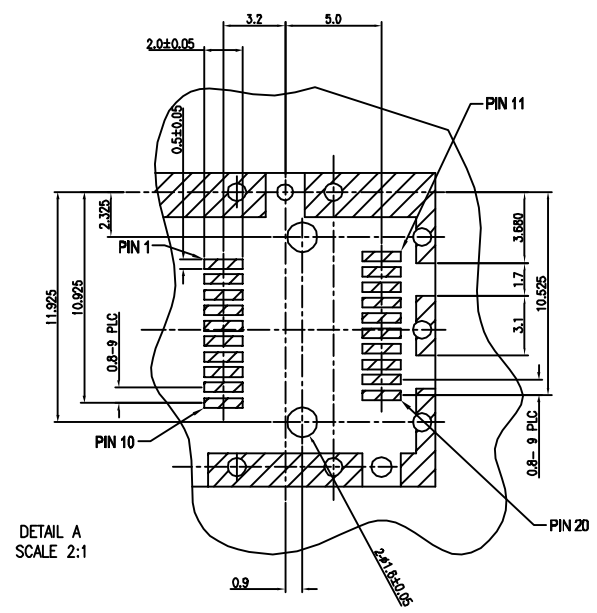
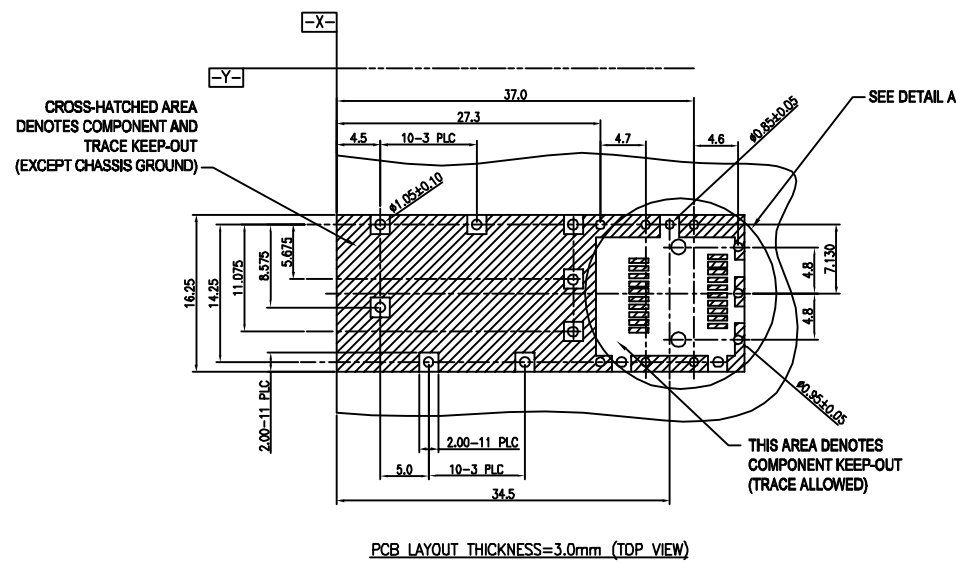
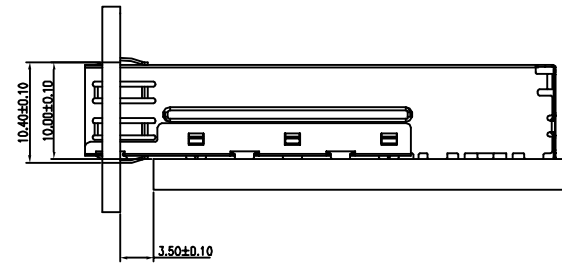
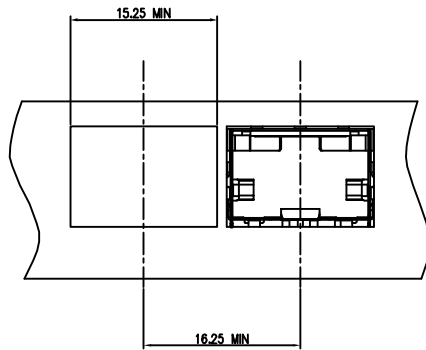
| Qty per: | Tray | Carton | | |
|----------------------------|-------------|--------|--------------|---------|
| | 45 | 900 | | |
| PART NUMBER : SFPCAGE002-L | | | | |
| No. | DESCRIPTION | Q'ty | MATERIAL | PLATING |
| 01 | CAGE TOP | 1 | COPPER ALLOY | Nickel |
| 02 | CAGE BOTTOM | 1 | COPPER ALLOY | Nickel |

| | |
|---------------------------------------------|---|
| ← MM (INCH) → TOLERANCES EXCEPT AS NOTED | |
| MM | ± |
| .0 ± 0.2 | ± |
| .00 ± 0.15 | ± |
| .000 ± 0.075 | ± |
| ANGLES ± 0.5 | |
| THIRD ANGLE PROJECTION | |

| | | | |
|--------------------------|--------------------------|------------|------|
| RoHS Compliant | | | |
| TITLE | | (Non-Logo) | |
| SFP CAGE 1 BY 1 PRESSFIT | | | |
| DFTO Jack | DRAWING NO. SFPCAGE002-L | SIZE | REV |
| DATE 8/03/06 | /PART NO. | A3 | 0 |
| SCALE : 1:1 | DO NOT SCALE DRAWING | SHEET 1 | OF 2 |

8 | 7 | 6 | 5 | 4 | 3 | 2 | 1

H
G
F
E
D
C
B
A



8 | 7 | 6 | 5 | 4 | 3 | 2 | 1

| | | | | | |
|------------------------|----------------------------|---------------------------------------------|--|--------------------------------------|------|
| DETACHED LISTS | MM (INCH) | RoHS Compliant | | Pulse A TECHNITROL COMPANY | |
| | TOLERANCES EXCEPT AS NOTED | TITLE (Non-Logo) | | | |
| | MM | SFP CAGE 1 BY 1 PRESSFIT | | | |
| | ANGLES ± 0.5 | DFTO Jack DRAWING NO. SFPCAGE002-L SIZE REV | | | |
| THIRD ANGLE PROJECTION | DATE 8/03/06 | /PART NO. | | A3 | 0 |
| | SCALE : 1:1 | DO NOT SCALE DRAWING | | SHEET 2 | OF 2 |

Looking for pricing, stock, or lifecycle information?

Click below to explore more details on WIN SOURCE:

 [View SFPCAGE002-L on WIN SOURCE](#)

 [Pulse Information](#)

Optimize Your Supply Chain with WIN SOURCE Solutions

-  Global Sourcing Solution
-  Obsolete Management
-  Cost Control Management
-  Shortage Management
-  Alternative Solution
-  Excess Inventory Management