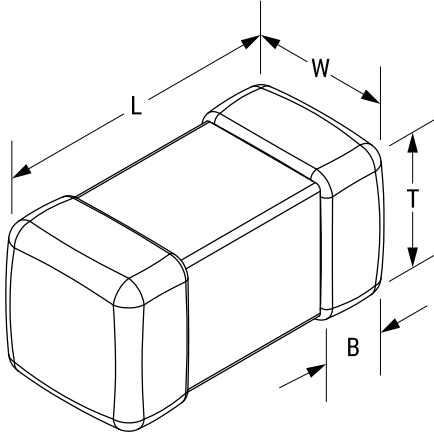




**THE DATASHEET OF
L0806B390JSWST**





Click [here](#) for the 3D model.

General Information

Series	L-SWS
Style	SMD Wire-Wound
Core	Ferrite
RoHS	Yes
Notes	Last Order Date June 30, 2023.

Dimensions

Chip Size	0806
L	2mm +/-0.2mm
W	1.6mm +/-0.2mm
T	1.6mm +/-0.2mm

Packaging Specifications

Packaging	T&R
Packaging Quantity	2000



Specifications

Inductance	39 uH (2.52 MHz)
Inductance Tolerance	5%
Inductance	39 uH
Temperature Range	-40/+105°C
Current	120 mAmps (MAX)
DC Resistance	3.9 Ohms
DC Resistance	3.9 Ohms
Self-Resonant Frequency	14 MHz MIN

Statements of suitability for certain applications are based on our knowledge of typical operating conditions for such applications, but are not intended to constitute - and we specifically disclaim - any warranty concerning suitability for a specific customer application or use. This Information is intended for use only by customers who have the requisite experience and capability to determine the correct products for their application. Any technical advice inferred from this Information or otherwise provided by us with reference to the use of our products is given gratis, and we assume no obligation or liability for the advice given or results obtained.

Looking for pricing, stock, or lifecycle information?

Click below to explore more details on WIN SOURCE:

-  [View L0806B390JSWST on WIN SOURCE](#)
-  [Kemet Information](#)

Optimize Your Supply Chain with WIN SOURCE Solutions

-  Global Sourcing Solution
-  Obsolete Management
-  Cost Control Management
-  Shortage Management
-  Alternative Solution
-  Excess Inventory Management