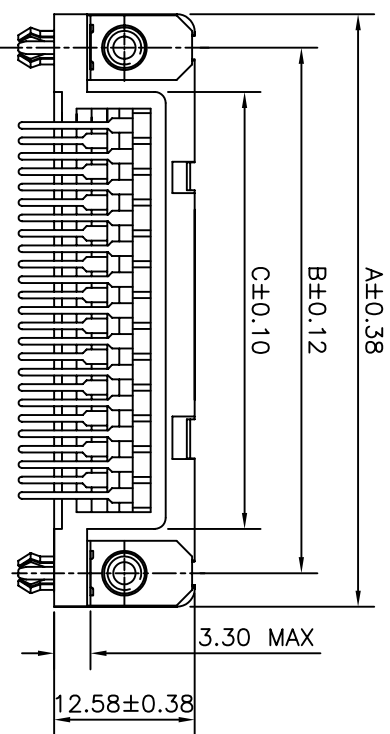
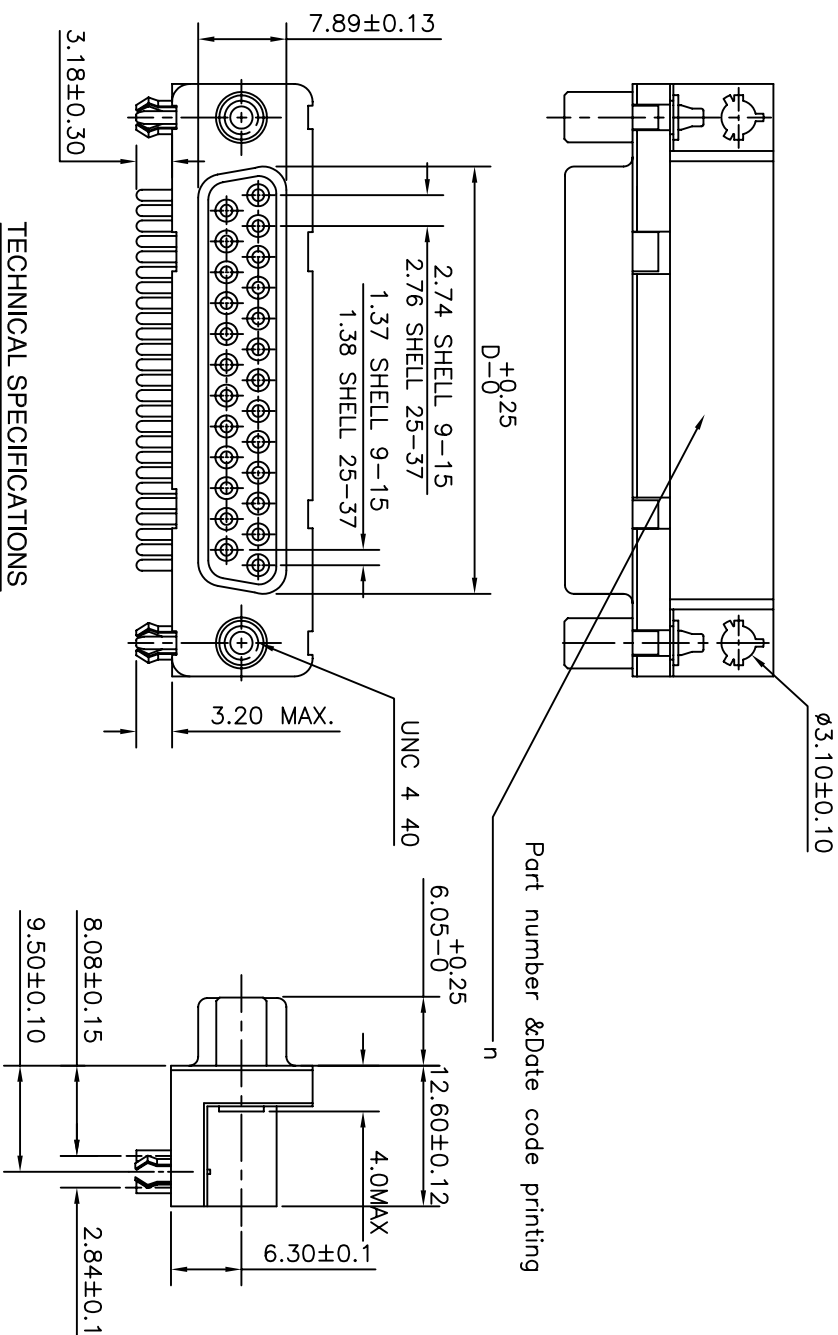
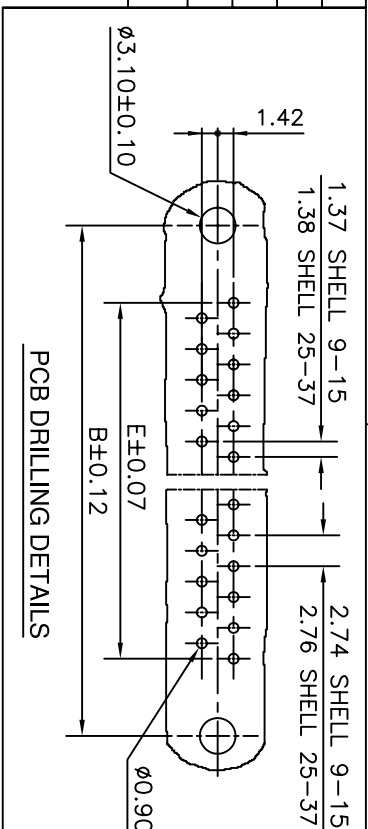




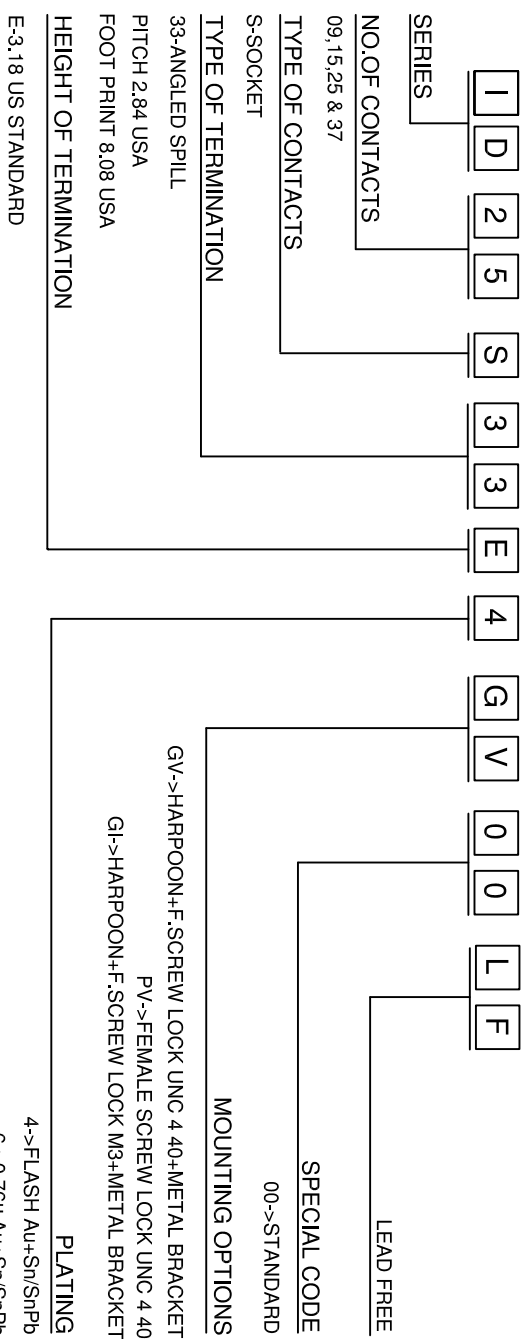
**THE DATASHEET OF  
ID09S33E4GV00LF**



37	69.32	63.50	55.68	54.71	49.68
25	53.03	47.04	39.12	38.25	33.12
15	39.14	33.32	25.18	24.54	19.18
09	30.81	24.99	16.96	16.21	10.96
SHELL	A	B	C	D	E



**ORDERING INFORMATION**



**TECHNICAL SPECIFICATIONS**

- MATERIAL**
- SHELL : STEEL TIN/Zinc Cr 3 PLATED.
  - INSULATORS : SELF EXTINGUISHING BLACK POLYESTER UL CLASS 94V0
- CONTACTS**
- ACTIVE ZONE : GOLD OVER NICKEL
  - TERMINATION ZONE : TIN LEAD OVER NICKEL
  - FOR LEAD FREE PLATING : 2µMIN.MATTE TIN TOP OVER
- PLATING**
- CONTACTS : COPPER ALLOY
  - ACTIVE ZONE : GOLD OVER NICKEL
  - TERMINATION ZONE : TIN LEAD OVER NICKEL
  - FOR LEAD FREE PLATING : 2µMIN.MATTE TIN TOP OVER
- METAL BRACKET**
- HARPOON : BRASS, TIN/Zinc Cr 3 PLATED.
  - SCREW LOCK : BRASS, TIN PLATED.
- ELECTRICAL DATA**
- MAX CURRENT RATING : 5A
  - TEST VOLTAGE : 1000V
  - RATED VOLTAGE : 300V
  - CONTACT RESISTANCE : ≤ 25mΩ
  - SHELL RESISTANCE : ≤ 5mΩ
  - INSULATION RESISTANCE : ≥ 5000MΩ
- ENVIRONMENTAL CHARACTERISTICS.**
- OPERATING TEMPERATURE RANGE : -55°C +125°C
- MECHANICAL CHARACTERISTICS**
- MATING/UNMATING CYCLES (MIN) : 200 (FLASH Au); 500 (0.76µ Au)
  - INSERTION/EXTRACTION FORCE PER CONTACT : 5 N Max./ 0.3 N Min.

"This LF product meets European Union Directives and other country regulations as described in GS-22-008"

The housing will withstand exposure to 260°C peak temperature for 3.5 seconds in a wave solder application with a 1.6mm minimum thick circuit board. Packaging as per GS-14-920

mat'l. code	SEE NOTE 4	surface	ISO 1302	tolerance	ISO 406 ISO 1101	projection	MM	product family	DELTA-D
ltr	ecn no	dr	date	tolerances unless otherwise specified	angles	linear	MM	title	DELTA-D A/S FEMALE CONNECTOR (GV VER.)
D	106-0074	GVJ	2006/06/08		0°±1°	.00±0.1		(WITH FEM. SCREW LOCK, HARPOON & METAL BRACKET)	
E	110-0034	NG	2010-01-30			.000±.00X		dwg no	sheet 1 of 1
								type	Product Customer Drawing

dr	1998/12/16	engr	GEORGE V JOSEPH	1998/12/16	chr	NIRMAL GEORGE	2010-01-30	appd	SUDHIR VARMA	2010-01-30
sheet	revision	index	sheet	1						





## Looking for pricing, stock, or lifecycle information?

Click below to explore more details on WIN SOURCE:

 [View ID09S33E4GV00LF on WIN SOURCE](#)

 [Amphenol FCI Information](#)

## Optimize Your Supply Chain with WIN SOURCE Solutions

-  Global Sourcing Solution
-  Obsolete Management
-  Cost Control Management
-  Shortage Management
-  Alternative Solution
-  Excess Inventory Management