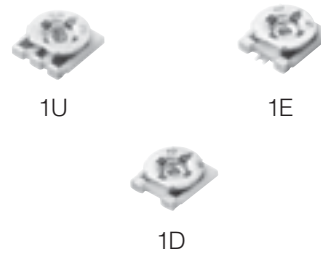


## 4 mm Square SMT Trimmer Potentiometers (Cermet, Open Frame Type)

Type: **EVM1D**  
**EVM1E**  
**EVM1U**



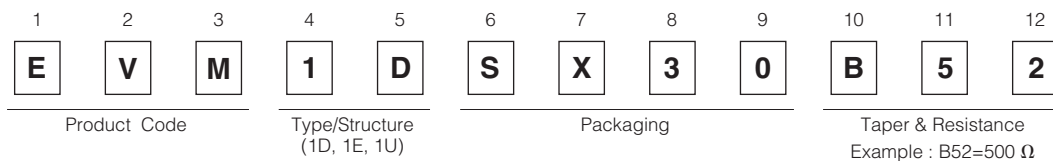
### Features

- 4 mm square series for reflow soldering
- Both sides adjust type (EVM1U)
- High reliability realized by cermet element
- Excellent mountability
- Conforms to JIS C5260-1:1999
- RoHS compliant

### Recommended Applications

- Audio/visual, office, and communication equipment
- General electronic equipment

### Explanation of Part Numbers



### Specifications

Total Resistance Value Resistance Tolerance	100 Ω to 1 MΩ ±25 %
Power Rating Limiting Element Voltage	0.2 W 50 V
Rotation Torque	2 to 20 mN·m
Temperature Coefficient of Resistance	±250 × 10 <sup>-6</sup> /°C

### Minimum Quantity/Packing Unit


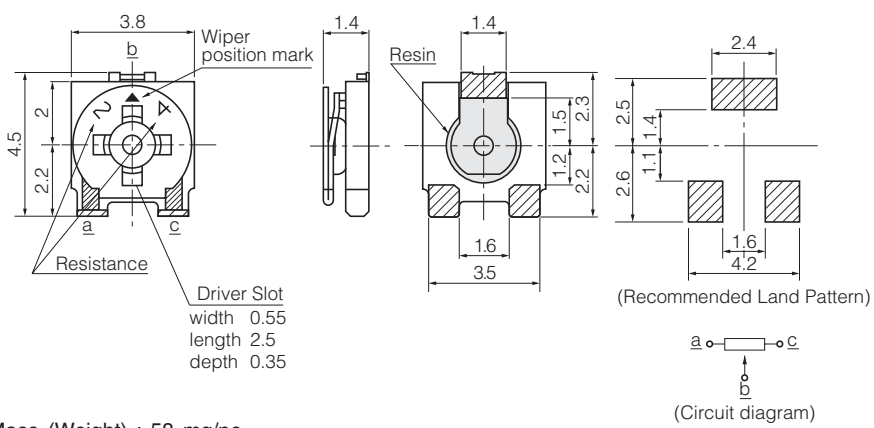
Part Number	Taping		
	Quantity per reel	Packaging quantity	Dia. of reel (mm)
EVM1D EVM1E EVM1U	1,000	4,000	φ178

The standard packaging methods for a reel is φ178.  
Please contact us, if you would like different packaging methods. (Bulk, Reel of φ330, Reel of φ380)

## Dimensions in mm (not to scale)

- 3-terminal, Cross Slot..... EVM1D


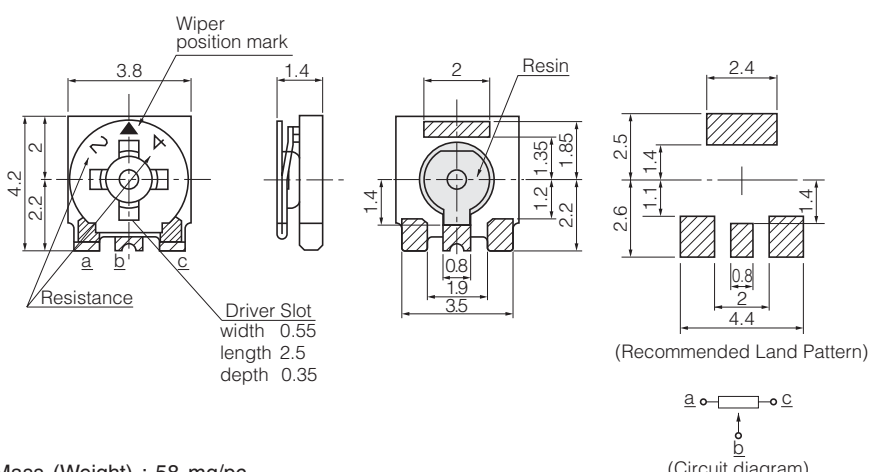
**No. 1**

Mass (Weight) : 58 mg/pc.

- 3-terminal, Cross Slot..... EVM1E


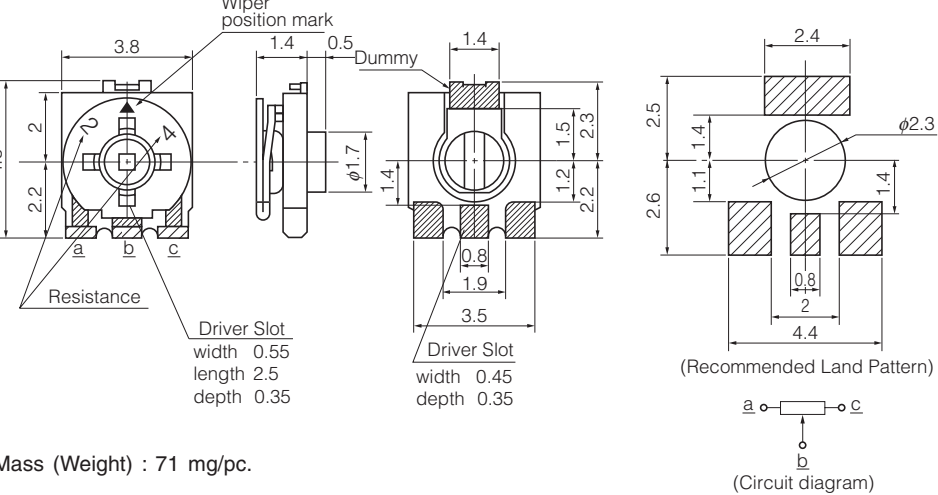
**No. 2**

Mass (Weight) : 58 mg/pc.

- 3-terminal, Cross Slot, Both Sides Adjust ..... EVM1U



**No. 3**


Mass (Weight) : 71 mg/pc.

## Looking for pricing, stock, or lifecycle information?

Click below to explore more details on WIN SOURCE:

-  [View EVM1USX30BE4](#) on WIN SOURCE
-  [Panasonic](#) Information

## Optimize Your Supply Chain with WIN SOURCE Solutions

-  Global Sourcing Solution
-  Obsolete Management
-  Cost Control Management
-  Shortage Management
-  Alternative Solution
-  Excess Inventory Management