

## SFW-R Series

### 1.00MM ZIF RIGHT ANGLE FFC-FPC CONNECTOR

ZIF FFC-FPC Connector series with top and bottom contact type. These surface mount connectors feature a height of 2.70mm and are offered in 4 to 30 contacts.

SFW series connectors have a proven track record in automotive, data, industrial, telecommunications, consumer, and medical application equipment.

- Easy to operate and strong FFC/FPC retention makes it vibration-proof
- Ensures high solderability and high durability
- Operating temperature range of -55°C to +105°C



#### TARGET MARKETS



#### FEATURES

- ZIF (Zero Insertion Force) mechanism
- Easy cable operation
- Optional cable lock function for extra cable retention
- Design against solder and flux wicking
- High-temperature, dimensional stable thermoplastic housing
- 4 to 30 positions available
- Lead and halogen-free

#### BENEFITS

- Stress free mating provides high number of mating cycles
- Simple action and strong FFC/FPC retention ensures contact stability
- Prevents unintentional cable release
- Ensures high solderability
- Covers general operating temperature range of -55°C to +105°C
- Supports many applications as a general-purpose product
- Meet environmental, healthy and safety requirement

## TECHNICAL INFORMATION

### MATERIAL

- Housing: LCP, natural color (UL94V-0)
- Contact: Phosphor bronze
- Tab: Brass

### MECHANICAL PERFORMANCE

- FFC/FPC Retention Force: 0.68N/contact min. (Tin)
- Durability: 20 mating cycles

### ELECTRICAL PERFORMANCE

- Voltage Rating: 100V A.C./D.C.
- Current Rating: 1.0A A.C./D.C.
- Contact Resistance: 30mΩ max.(initial value)
- Insulation Resistance: 500MΩ min.
- Dielectric Withstanding Voltage: No short or breakdown after 500V A.C., 1mA, 1min.

### ENVIRONMENTAL

- Operating Temperature Range: -55°C to +105°C

### APPROVALS & CERTIFICATION

- UL file number E66906
- RoHS compliant

### PACKAGING

- Tape & Reel

### SPECIFICATIONS

- Orientation: Right angle
- Cable Termination: ZIF
- Cable Type: FFC/ FPC/ CIC
- Board Termination: Surface mount
- Contact Location: Top & bottom option
- Height: 2.7mm
- Lead free tin plating

### TARGET MARKETS/APPLICATIONS



Car Multimedia  
Car Navigation  
Dashboard  
Lighting



Gaming  
LCD & OLED Displays



Base Station  
Switches  
Controllers  
Storage

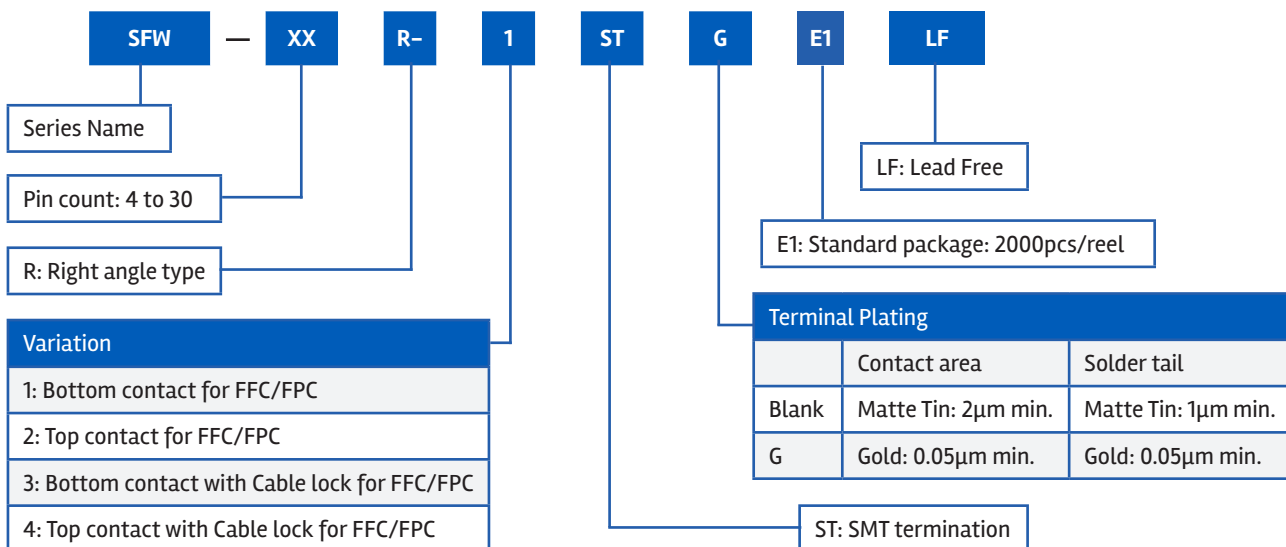


Controllers  
HMI  
Vending Machines  
PLC  
Drives



Ultrasonic  
Patient Monitor  
MRI  
CT  
Infusion Pump  
Hospital Bed



## PART NUMBER SELECTOR



BASICSFWR042EA4

## Looking for pricing, stock, or lifecycle information?

Click below to explore more details on WIN SOURCE:

-  [View SFW16R-1STE1LF on WIN SOURCE](#)
-  [Amphenol FCI Information](#)

## Optimize Your Supply Chain with WIN SOURCE Solutions

-  Global Sourcing Solution
-  Obsolete Management
-  Cost Control Management
-  Shortage Management
-  Alternative Solution
-  Excess Inventory Management