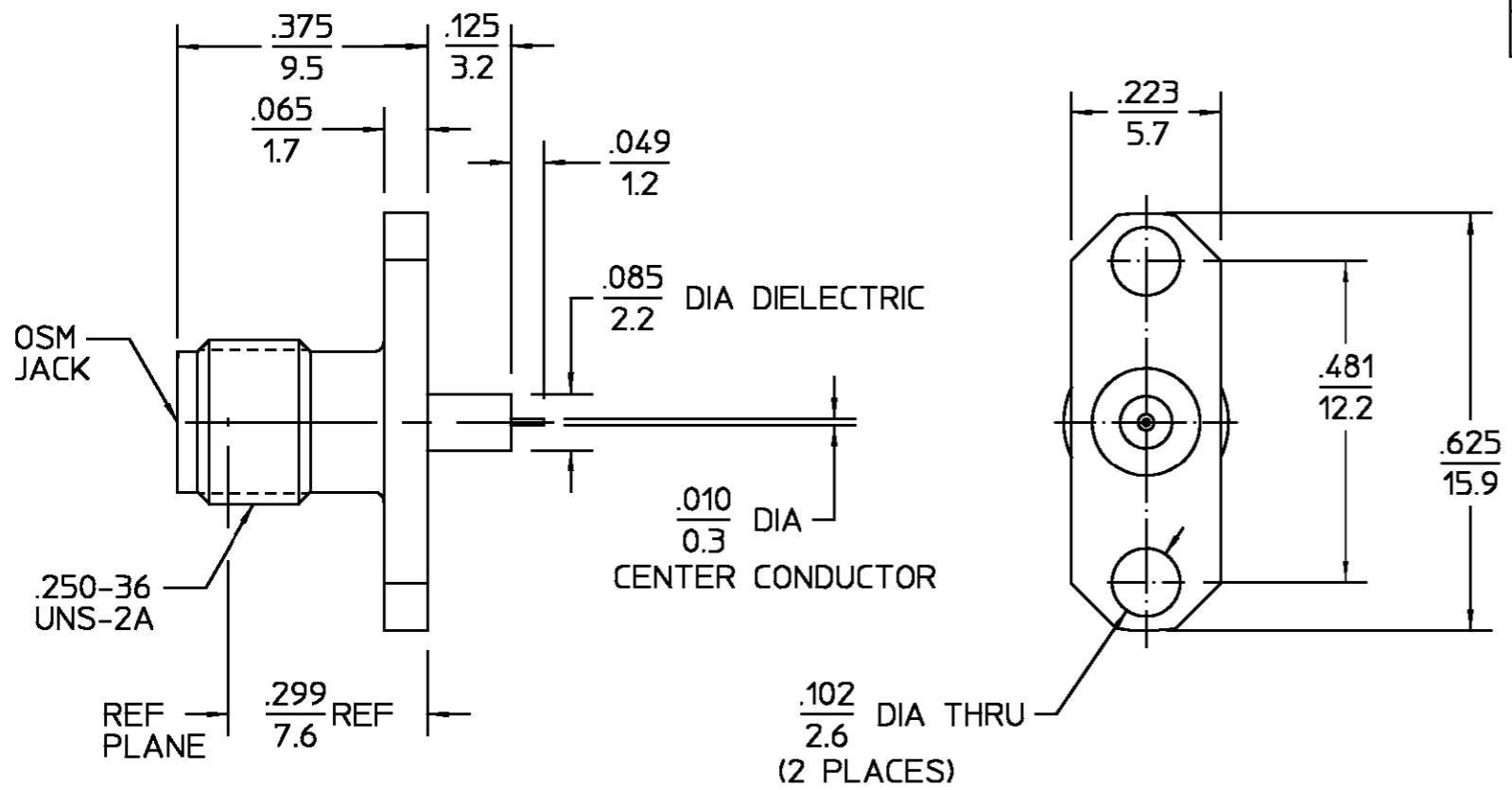




**THE DATASHEET OF**  
**1052901-1**





REVISIONS			
REV	DESCRIPTION	DATE	APPROVED
01 2	REVISED	T.W. 9/5/96	ICom 9/6/96

ELECTRICAL
Nominal Impedance (Ohms) <u>50</u>
Frequency Range (GHz) DC to <u>18.0</u>
Volt Rating (VRMS MAX) @ Sea Level <u>335</u>
VSWR <u>1.07 + .01 f(GHz)</u>
Insertion Loss (dB MAX) <u>.03 √f(GHz)</u>
RF Leakage (dB MIN) <u>-[60-f(GHz)]</u>
Corona, 70,000 Ft (VRMS MIN) <u>250</u>
Dielectric Withstanding Voltage (VRMS MIN) @ Sea Level <u>1000</u>
Contact Resistance (Milliohms MAX) Center Contact <u>2.0</u> Outer Contact <u>2.0</u> Cable to Housing <u>N/A</u>
RF High Potential @ Sea Level (VRMS MIN @ 5 MHz) <u>670</u>
I.R.(Megohms MIN) <u>10000</u>

MECHANICAL
Interface Dimensions MIL-STD-348A, Fig. 310.2
Recommended Mating Torque <u>7-10 IN LBS</u>
Mating Characteristics: Insertion (MAX Lbs) <u>3.0</u> Withdrawal (MIN Oz) <u>1.0</u>
Force to Engage and Disengage (In-Lbs MAX) <u>2.0</u>
Center Contact Captivation Axial (Lbs) <u>6.0</u> Radial (In-Oz) <u>4.0</u>
Cable Retention Axial Force (Lbs) <u>N/A</u> Torque (In-Oz) <u>N/A</u>
Weight (Grams) <u>1.6</u>

ENVIRONMENTAL
Temperature Rating <u>-65°C to +105°C</u>
Vibration MIL-STD-202, Method 204, Condition D
Shock MIL-STD-202, Method 213, Condition I
Thermal Shock MIL-STD-202, Method 107, Condition A
Moisture Resistance MIL-STD-202, Method 106
Corrosion - MIL-STD-202, Method 101, Condition B, 5% salt spray
<u>.XXX = in</u> <u>XX.X = mm (REF)</u>

COMPONENT	MATERIAL	FINISH
HOUSING	STAINLESS STEEL PER ASTM-A484 AND ASTM- A582, TYPE 303	GOLD PLATE PER MIL-G-45204
DIELECTRIC	TFE FLUOROCARBON PER ASTM-D-1457	N/A
CENTER CONTACT	BERYLLIUM COPPER PER ASTM B 196, ALLOY C17300, CONDITION H	GOLD PLATE PER MIL-G-45204

UNLESS OTHERWISE SPECIFIED DIMENSIONS ARE IN INCHES TOLERANCE ON FRAC. DEC. ANGLES ± 1/64 ±.005 ± °	DRAWN BY <u>JB</u> DATE <u>3/31/76</u>	 AMP Incorporated 140 Fourth Avenue Waltham, MA 02451-7599												
	CHECKED BY <u>RMF</u> DATE <u>3/31/76</u>													
	APPD BY <u>BWC</u> DATE <u>4/1/76</u>													
These drawings and specifications are the property of M/A-COM Incorporated and shall not be reproduced or copied or used in whole or in part as the basis for the manufacture or sale of items without written permission.	USE ASS'Y PROCEDURE  NO. AP. <u>N/A</u>	<table border="1"> <tr> <td colspan="4">TITLE <u>OSM 2 HOLE FLANGE MOUNT JACK RECEPTACLE STRAIGHT TERMINAL</u></td> </tr> <tr> <td>SIZE <u>B</u></td> <td>CODE IDENT NO. <u>26805</u></td> <td><u>2052-5674-00</u></td> <td>REV <u>01 2</u></td> </tr> <tr> <td colspan="2">SCALE <u>4:1</u></td> <td colspan="2">SHEET 1 OF 1</td> </tr> </table>	TITLE <u>OSM 2 HOLE FLANGE MOUNT JACK RECEPTACLE STRAIGHT TERMINAL</u>				SIZE <u>B</u>	CODE IDENT NO. <u>26805</u>	<u>2052-5674-00</u>	REV <u>01 2</u>	SCALE <u>4:1</u>		SHEET 1 OF 1	
TITLE <u>OSM 2 HOLE FLANGE MOUNT JACK RECEPTACLE STRAIGHT TERMINAL</u>														
SIZE <u>B</u>	CODE IDENT NO. <u>26805</u>	<u>2052-5674-00</u>	REV <u>01 2</u>											
SCALE <u>4:1</u>		SHEET 1 OF 1												

## Looking for pricing, stock, or lifecycle information?

Click below to explore more details on WIN SOURCE:

 [View 1052901-1](#) on WIN SOURCE

 [TE Connectivity](#) Information

## Optimize Your Supply Chain with WIN SOURCE Solutions

-  Global Sourcing Solution
-  Obsolete Management
-  Cost Control Management
-  Shortage Management
-  Alternative Solution
-  Excess Inventory Management