



THE DATASHEET OF
1052098-1

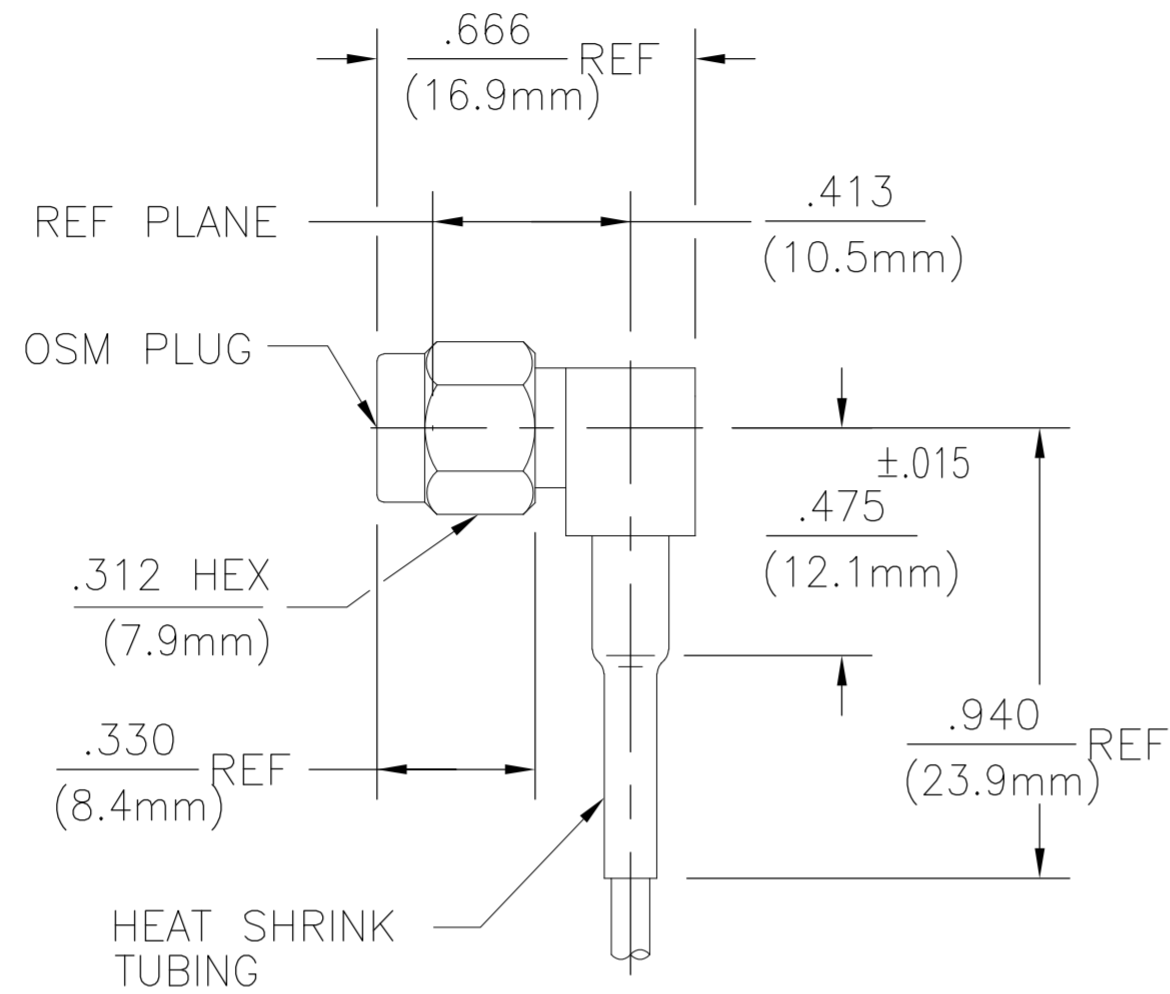


THIS DRAWING IS UNPUBLISHED. RELEASED FOR PUBLICATION
 © COPYRIGHT BY TYCO ELECTRONICS CORPORATION. ALL INTERNATIONAL RIGHTS RESERVED.

DESIGNED FOR USE WITH
 RG178/U CABLE
 CABLE ENTRY DIAMETER
 MINIMUM
 HOUSING .036
 CONTACT .025

LOC DIST
 AJ 00

| REVISIONS | | | | | |
|-----------|-----|---------------------------|----------|-----|------|
| P | LTR | DESCRIPTION | DATE | DWN | APVD |
| B | | REV PER ECO 07-004710 | 03-09-07 | DW | KW |
| C | | REVISED PER ECO-08-030676 | 02-25-09 | AEG | JKO |



- ① BRASS
- ② STAINLESS STEEL
- ③ BERYLLIUM COPPER
- ④ PTFE
- ⑤ GOLD PLATE
- ⑥ PASSIVATED
- ⑦ SILICONE RUBBER
- ⑧ NICKEL PLATE
- ⑨ POLYOLEFIN COMPOUND
- ⑩ BRASS OR COPPER

| ELECTRICAL | MECHANICAL | ENVIRONMENTAL |
|---|---|--|
| Nominal Impedance (Ohms) <u>50</u> | Interface Dimensions MIL-STD-348A, Fig. 310.1 | TEMPERATURE RATING <u>-65°C TO +165°C</u> |
| Frequency Range (GHz) DC to <u>12.4</u> | Recommended Mating | Vibration MIL-STD-202, Method 204, Condition D |
| Volt Rating (VRMS MAX) @ Sea Level <u>170</u> | Torque <u>7 to 10 In/Lbs</u> | Shock MIL-STD-202, Method 213, Condition I |
| VSWR <u>1.25 + .025 f(GHz)</u> | Force to Engage and Disengage (In/Lbs MAX) <u>2.0</u> | Thermal Shock MIL-STD-202, Method 107, Condition B, EXCEPT HIGH TEMP +85°C |
| Insertion Loss (db MAX) <u>.07 √f(GHz)</u> | Center Contact Captivation | Moisture Resistance MIL-STD-202, Method 106, Except Vibration |
| RF Leakage (dB MIN) <u>-[60 -f(GHz)]</u> | Axial (Lbs) <u>6.0</u> | Shall Be Omitted |
| Dielectric Withstanding Voltage (VRMS MIN) @ Sea Level <u>500</u> | Radial (In/Oz) <u>4.0</u> | Corrosion - MIL-STD-202, Method 101, Condition B, 5% salt spray |
| Contact Resistance (Milliohms MAX) Center Contact <u>2.0</u> | Cable Retention | |
| Outer Contact <u>2.0</u> | Axial Force (Lbs MIN) <u>20.0</u> | |
| Cable to Housing <u>0.5</u> | Weight (Grams) <u>4.6</u> | |
| RF High Potential @ Sea Level (VRMS MIN @ 5 MHz) <u>335</u> | | |
| I.R.(Megohms MIN) <u>10,000</u> | | |

| | | | | | | | | | |
|--|---------|---------|-----|--------------------|--|----------------|--------|--------------|------------|
| ⑨ | ⑩⑤ | ①⑧ | ①⑧ | ③⑤ | ④ | ③ | ⑦ | ①⑧ | 1052098 -3 |
| ⑨ | ⑩⑤ | ②⑥ | ②⑥ | ③⑤ | ④ | ③ | ⑦ | ②⑥ | 1052098 -1 |
| SHRINK TUBE | FERRULE | HOUSING | CAP | CONTACT | DIELECTRIC | RETAINING RING | GASKET | COUPLING NUT | TE PN |
| THIS DRAWING IS A CONTROLLED DOCUMENT. | | | | DWN WK 7/1/77 | Tyco Electronics Corporation Harrisburg, PA 17105-3608 | | | | |
| DIMENSIONS: INCHES | | | | CHK KWW 7/18/77 | NAME OSM RIGHT ANGLE CABLE PLUG-CRIMP ATTACHMENT | | | | |
| TOLERANCES UNLESS OTHERWISE SPECIFIED: | | | | APVD - | PRODUCT SPEC - | | | | |
| 0 PLC ± - | | | | APPLICATION SPEC - | SIZE A2 CAGE CODE 00779 DRAWING NO C=1052098 RESTRICTED TO - | | | | |
| 1 PLC ± - | | | | WEIGHT - | SCALE 2:1 SHEET 1 of 1 REV C | | | | |
| 2 PLC ± - | | | | CUSTOMER DRAWING | | | | | |
| 3 PLC ± .005 | | | | | | | | | |
| 4 PLC ± - | | | | | | | | | |
| ANGLES ± 1° | | | | | | | | | |
| FINISH - | | | | | | | | | |

Looking for pricing, stock, or lifecycle information?

Click below to explore more details on WIN SOURCE:

 [View 1052098-1](#) on WIN SOURCE

 [TE Connectivity](#) Information

Optimize Your Supply Chain with WIN SOURCE Solutions

-  Global Sourcing Solution
-  Obsolete Management
-  Cost Control Management
-  Shortage Management
-  Alternative Solution
-  Excess Inventory Management