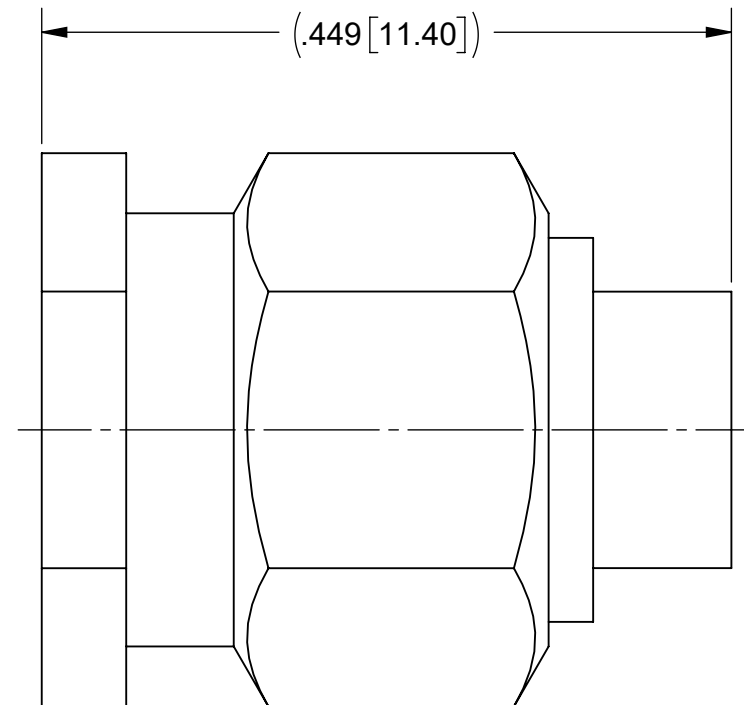
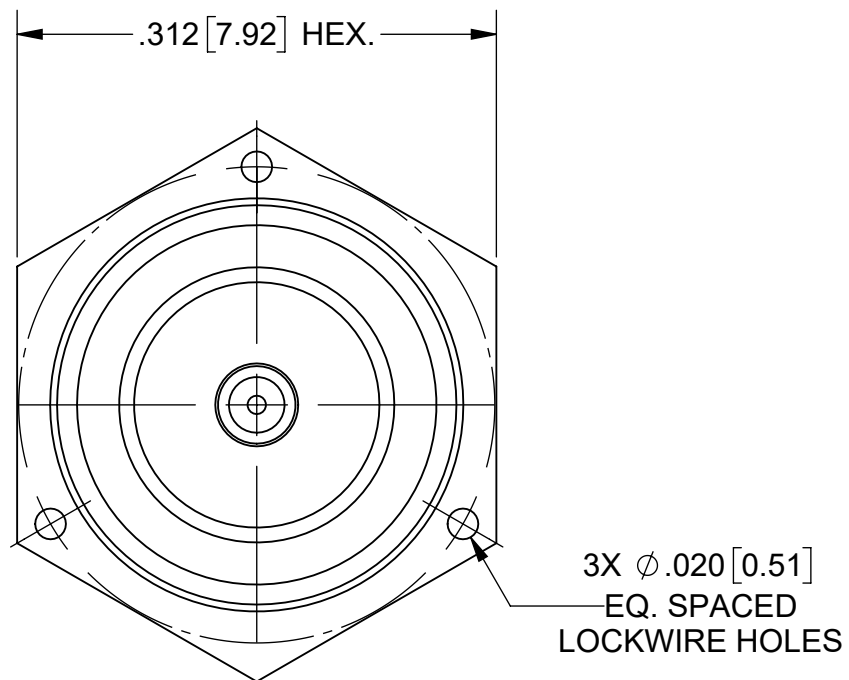
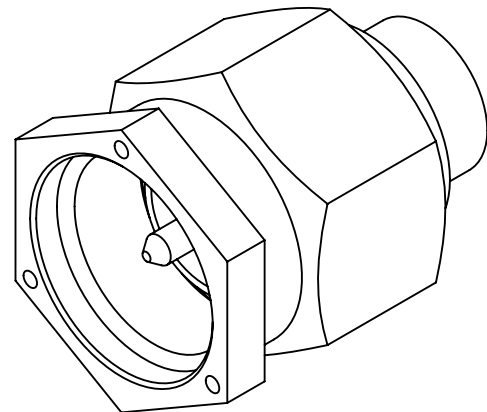




# PRODUCT DATA DRAWING

| REVISION HISTORY |             |       |          |
|------------------|-------------|-------|----------|
| REV              | DESCRIPTION | DATE  | APPROVED |
| A                | DCN 41742   | 10/15 | SEE PDM  |
| B                | DCN 51976   | 09/22 |          |



## MATERIAL:


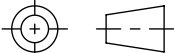
**BODY & COUPLING NUT:** STAINLESS STEEL PER AMS-5640, ALLOY UNS S30300, TYPE 1  
**CONTACT:** BRASS PER ASTM B16, ALLOY UNS No. C36000  
**LOCK RING:** BERYLLIUM COPPER PER ASTM B196, ALLOY No. UNS C17300, TD04  
**INSULATOR:** PTFE PER ASTM D1710, TYPE I, GRADE 1, CLASS B  
**GASKET:** SILICONE RUBBER PER A-A-59588, CLASS 2B, GRADE 60/70

## FINISH:

**COUPLING NUT:** PASSIVATED PER AMS-2700  
**BODY:** GOLD PER MIL-DTL-45204, TYPE II, GRADE C, CLASS 1; OVER NICKEL PER AMS-QQ-N-290, CLASS 1, .00005" MIN  
**CONTACT:** GOLD PER ASTM B488, TYPE II, CODE C, CLASS 1.27, OVER NICKEL PER AMS-QQ-N-290, CLASS 1, .00005" MIN.

## PERFORMANCE:

**IMPEDANCE:** 50 OHMS  
**FREQ. RANGE:** DC TO 18.0 GHz.

|   |   |  |  |                  |
|---|---|--|--|------------------|
| MATERIAL: SEE NOTES   | DIMENSIONS ARE IN INCHES TOLERANCES:<br>FRACTIONAL: $\pm 1/64$ ANGULAR: X° $\pm 1'0''$<br>X°X' $\pm 15''$ | UNLESS OTHERWISE SPECIFIED<br>1) ALL DIMENSIONS ARE IN INCHES (MILLIMETERS)<br>2) ALL DIMENSIONS ARE AFTER PLATING.<br>3) BREAK CORNERS & EDGES .005 R. MAX.<br>4) CHAM. 1ST & LAST THREADS.<br>5) SURFACE ROUGHNESS 63-MIL-STD-10.<br>6) DIA. 'S ON COMMON CENTERS TO BE CONCENTRIC WITHIN .005 T.I.R.<br>7) REMOVE ALL BURRS | <br>Amphenol<br>www.svmicrowave.com |                  |
| FINISH: SEE NOTES   | DECIMAL: X $\pm .030$<br>.XX $\pm .010$<br>.XXX $\pm .005$  |  |  |                  |
| SURFACE AREA: N/A   | INTERPRET DIMENSIONS AND TOLERANCES PER ASME Y14.5M - 1994  | DRAWN: DC 08/23/90   | TITLE:<br>SMA PLUG SOLDER-ON FOR<br>Ø.141 S.R. CABLE   |                  |
| PROPRIETARY<br>THE INFORMATION CONTAINED IN THIS DRAWING IS THE SOLE PROPERTY OF SV MICROWAVE, INC. ANY REPRODUCTION IN PART OR AS A WHOLE WITHOUT THE WRITTEN PERMISSION OF SV MICROWAVE, INC IS PROHIBITED. | THIRD ANGLE PROJECTION  |  |  | CHECKED: SEE PDM |
|   |                      | APPROVED: SEE PDM  | SCALE: 8:1   | SHEET 1 OF 1     |

## Looking for pricing, stock, or lifecycle information?

Click below to explore more details on WIN SOURCE:

 [View 1050776-1](#) on WIN SOURCE

 [TE Connectivity](#) Information

## Optimize Your Supply Chain with WIN SOURCE Solutions

-  Global Sourcing Solution
-  Obsolete Management
-  Cost Control Management
-  Shortage Management
-  Alternative Solution
-  Excess Inventory Management