



**THE DATASHEET OF**  
**104479-2**



104479-2 ✓ ACTIVE

AMPMODU | AMPMODU IV/V

TE Internal #: 104479-2

Socket Contact, Tin-Lead, 300 VAC, Discrete Wire, 24 – 20 AWG

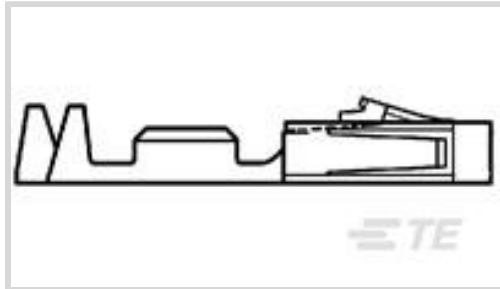
Wire Size, .2 – .6 mm<sup>2</sup> Wire Size, 394.71 – 1184.12 CMA Wire Size,

Crimp, AMPMODU IV/V

[View on TE.com >](#)



Connectors > Contacts > Connector Contacts



Contact Type: **Socket**

Contact Mating Area Plating Material: **Tin-Lead**

Wire Contact Termination Area Plating Material: **Tin-Lead over Nickel**

Operating Voltage: **300 VAC**

Compatible With Wire & Cable Type: **Discrete Wire**

## Features

### Industry Standards

Compatible With Approved Standards Products	UL E28476, CSA LR7189
---	-----------------------

### Product Type Features

Applied Pressure	Standard
------------------	----------

### Mechanical Attachment

Wire Insulation Support	With
-------------------------	------

### Packaging Features

Packaging Method	Reel
Packaging Quantity	15000

### Dimensions

Compatible Insulation Diameter Range	.64 – 1.52 mm [.025 – .06 in]
Wire Size	394.71 – 1184.12 CMA

### Electrical Characteristics

Termination Resistance	12 mΩ
Dielectric Withstanding Voltage (Max)	750 V
Insulation Resistance	5000 MΩ
Operating Voltage	300 VAC

### Contact Features



Mating Square Post Dimension	.64 mm[.025 in]
Contact Type	Socket
Contact Mating Area Plating Material	Tin-Lead
Wire Contact Termination Area Plating Material	Tin-Lead over Nickel
Contact Base Material	Copper Alloy
Contact Current Rating (Max)	3 A

### Configuration Features

Compatible With Wire & Cable Type	Discrete Wire
-----------------------------------	---------------

### Termination Features

Termination Method to Wire & Cable	Crimp
Product Terminates To	Wire & Cable

### Usage Conditions

Operating Temperature Range	-65 – 105 °C[-85 – 221 °F]
-----------------------------	----------------------------

### Operation/Application

Circuit Application	Power & Signal
---------------------	----------------

## Product Compliance

[For compliance documentation, visit the product page on TE.com>](#)

EU RoHS Directive 2011/65/EU	Not Compliant
EU ELV Directive 2000/53/EC	Compliant with Exemptions
China RoHS 2 Directive MIIT Order No 32, 2016	Restricted Materials Above Threshold
EU REACH Regulation (EC) No. 1907/2006	Current ECHA Candidate List: JUNE 2024 (241) Candidate List Declared Against: JUNE 2024 (241) SVHC > Threshold: Pb (13% in Component Part) <b>Article Safe Usage Statements:</b> Do not eat, drink or smoke when using this product. Wash thoroughly after handling. Recycle if possible and dispose of the article by following all applicable governmental regulations relevant to your geographic location.
Halogen Content	Low Halogen - Br, Cl, F, I < 900 ppm per homogenous material. Also BFR/CFR/PVC Free
Solder Process Capability	Not applicable for solder process capability

#### Product Compliance Disclaimer

This information is provided based on reasonable inquiry of our suppliers and represents our current actual knowledge based on the information they provided. This information is subject to change. The part numbers that TE has identified as

EU RoHS compliant have a maximum concentration of 0.1% by weight in homogenous materials for lead, hexavalent chromium, mercury, PBB, PBDE, DBP, BBP, DEHP, DIBP, and 0.01% for cadmium, or qualify for an exemption to these limits as defined in the Annexes of Directive 2011/65/EU (RoHS2). Finished electrical and electronic equipment products will be CE marked as required by Directive 2011/65/EU. Components may not be CE marked. Additionally, the part numbers that TE has identified as EU ELV compliant have a maximum concentration of 0.1% by weight in homogenous materials for lead, hexavalent chromium, and mercury, and 0.01% for cadmium, or qualify for an exemption to these limits as defined in the Annexes of Directive 2000/53/EC (ELV). Regarding the REACH Regulation, the information TE provides on SVHC in articles for this part number is based on the latest European Chemicals Agency (ECHA) 'Guidance on requirements for substances in articles' posted at this URL: <https://echa.europa.eu/guidance-documents/guidance-on-reach>

## Compatible Parts



TE Part # 1-104483-2  
12 SHORT PT RCPT HSG DR .100CL



TE Part # 2266323-1  
OCEAN-2.0-APPLICATOR-S-055F062O-RSM



TE Part # 1-104483-0  
52 SHORT PT RCPT HSG DR .100CL



TE Part # 1-104482-3  
30 SHORT PT RCPT HSG DR .100CL



TE Part # 1-104482-0  
22 SHORT PT RCPT HSG DR .100CL



TE Part # 1-104482-9  
44 SHORT PT RCPT HSG DR .100CL



TE Part # 1-104483-3  
50 SHORT PT RCPT POL HSG DR



TE Part # 104482-9  
20 SHORT PT RCPT HSG DR .100CL



TE Part # 1-104482-6  
36 SHORT PT RCPT HSG DR .100CL



TE Part # 1-104482-2  
28 SHORT PT RCPT HSG DR .100CL



**KIT**  
REPRESENTATION ONLY

TE Part # 7-2266323-7  
OCEAN\_2.0\_SPARE\_PART\_KIT-055F062O



TE Part # 104483-6  
38 SHORT PT RCPT HSG DR .100CL



TE Part # 2-104482-0  
52 SHORT PT RCPT HSG DR .100CL



TE Part # 1-104482-8  
40 SHORT PT RCPT HSG DR .100CL



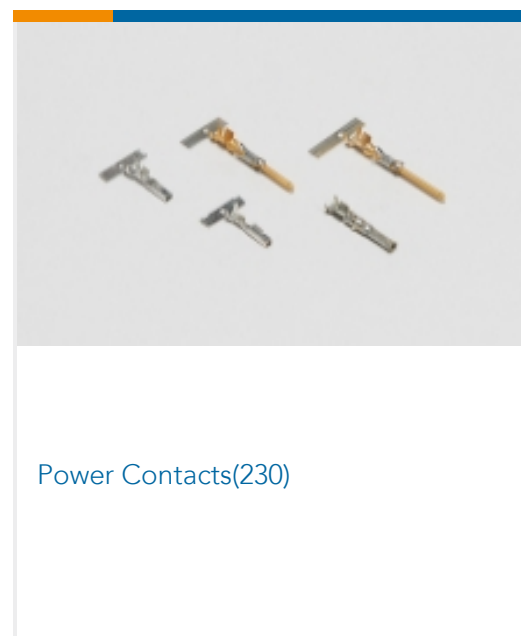
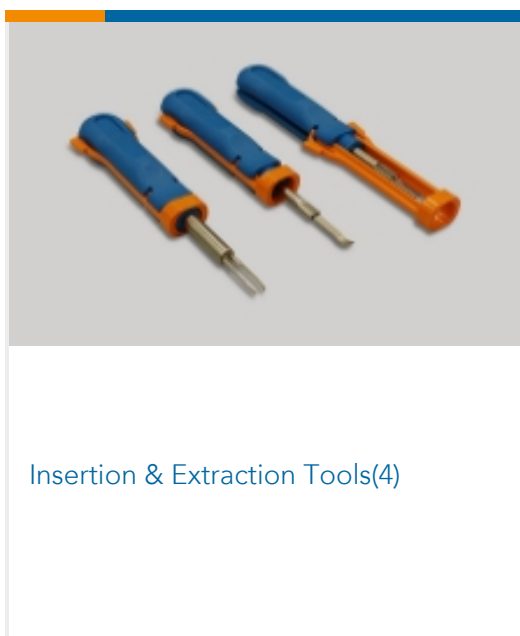
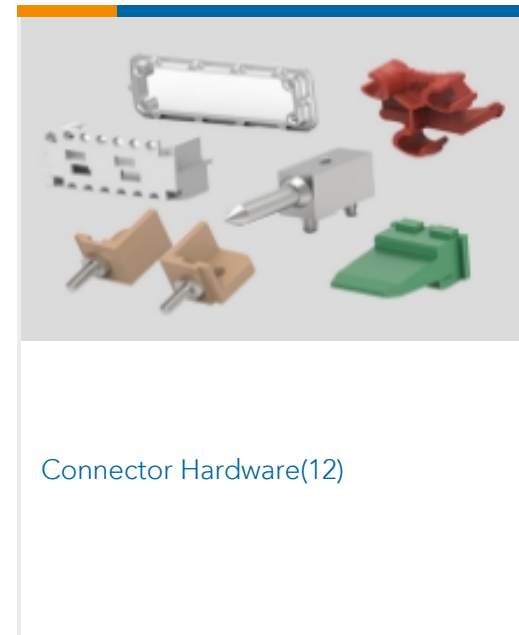
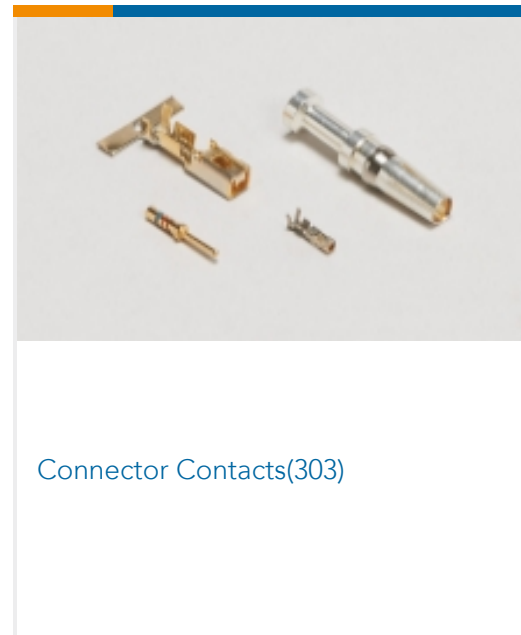
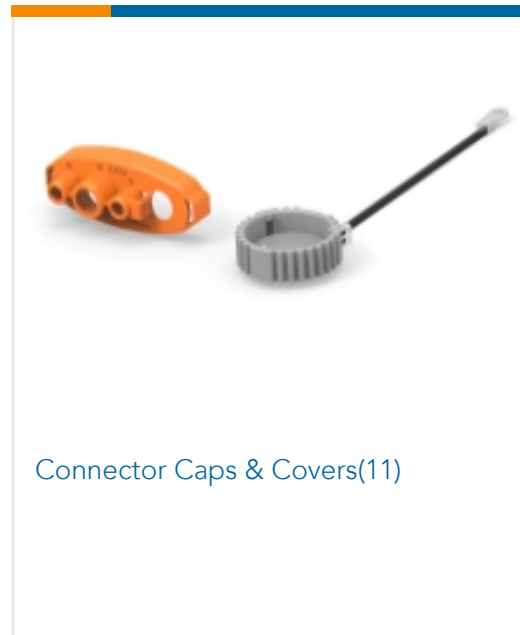
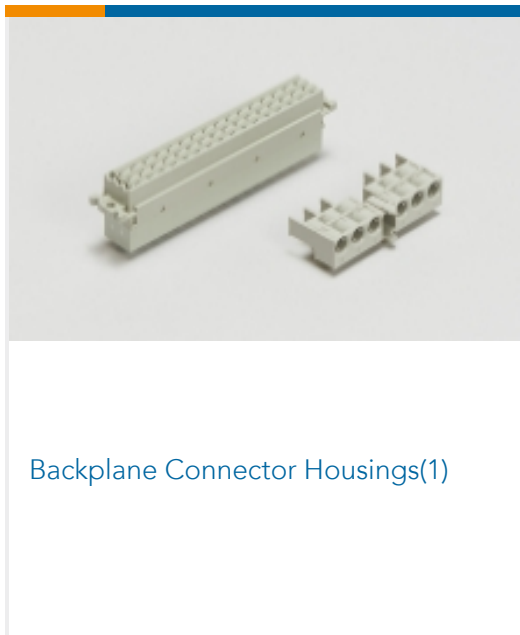
TE Part # 104482-7  
16 SHORT PT RCPT HSG DR .100CL



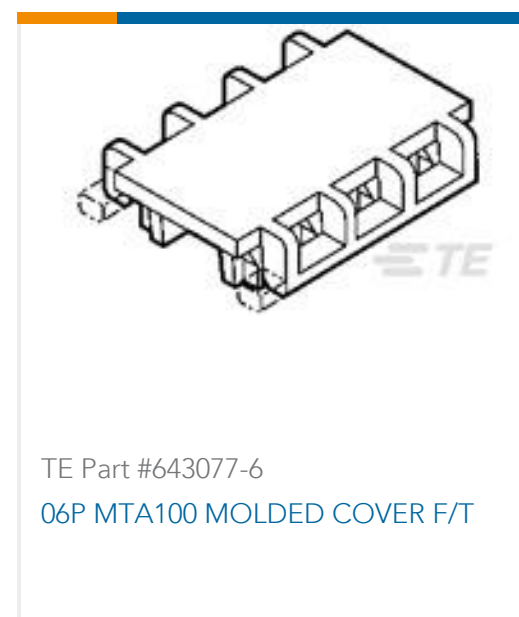
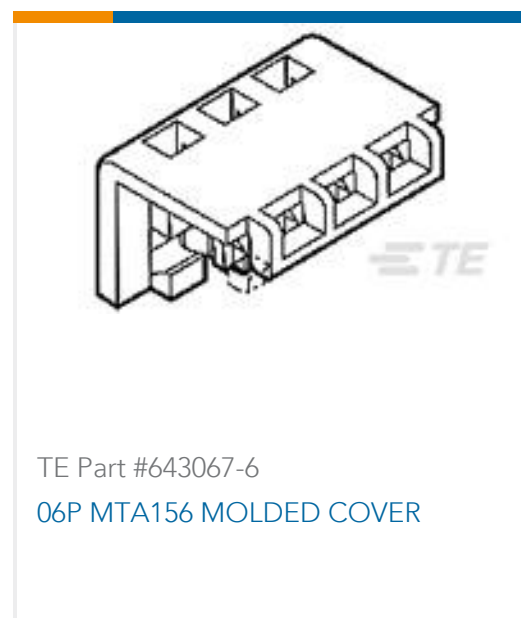
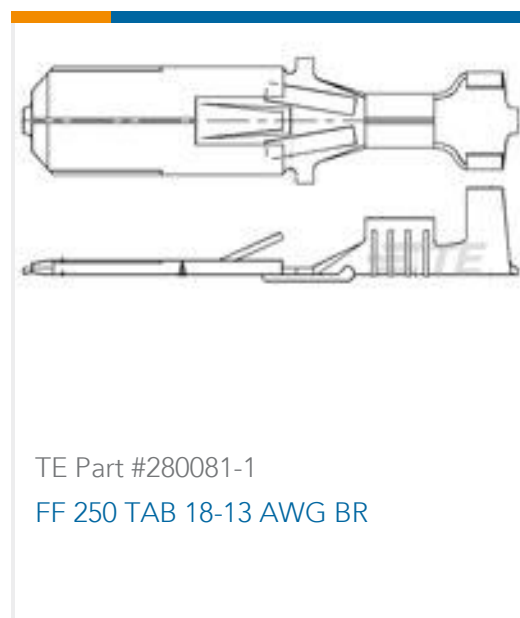
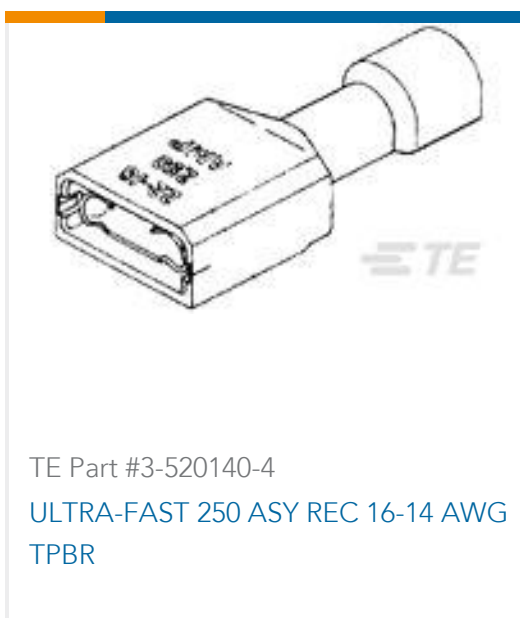
TE Part # 104483-8  
64 SHORT PT RCPT HSG DR .100CL



## Also in the Series | AMPMODU IV/V



## Customers Also Bought





## Documents

### Product Drawings

[SHORT POINT CONT PLTD SN-PB](#)

English

### CAD Files

[3D PDF](#)

English

[Customer View Model](#)

[ENG\\_CVM\\_104479-2\\_R.2d\\_dxf.zip](#)

English

[Customer View Model](#)

[ENG\\_CVM\\_104479-2\\_R.3d\\_igs.zip](#)

English

[Customer View Model](#)

[ENG\\_CVM\\_104479-2\\_R.3d\\_stp.zip](#)

English

[3D PDF](#)

3D

[Customer View Model](#)

[ENG\\_CVM\\_CVM\\_104479-2\\_AF.2d\\_dxf.zip](#)

English

[Customer View Model](#)

[ENG\\_CVM\\_CVM\\_104479-2\\_AF.3d\\_igs.zip](#)

English

[Customer View Model](#)

[ENG\\_CVM\\_CVM\\_104479-2\\_AF.3d\\_stp.zip](#)

English

By downloading the CAD file I accept and agree to the [Terms and Conditions](#) of use.

### Product Specifications

[Application Specification](#)

English

Looking for pricing, stock, or lifecycle information?

Click below to explore more details on WIN SOURCE:

[View 104479-2 on WIN SOURCE](#)

[TE Connectivity Information](#)

### Optimize Your Supply Chain with WIN SOURCE Solutions

- ✓ Global Sourcing Solution
- ✓ Obsolete Management
- ✓ Cost Control Management
- ✓ Shortage Management
- ✓ Alternative Solution
- ✓ Excess Inventory Management