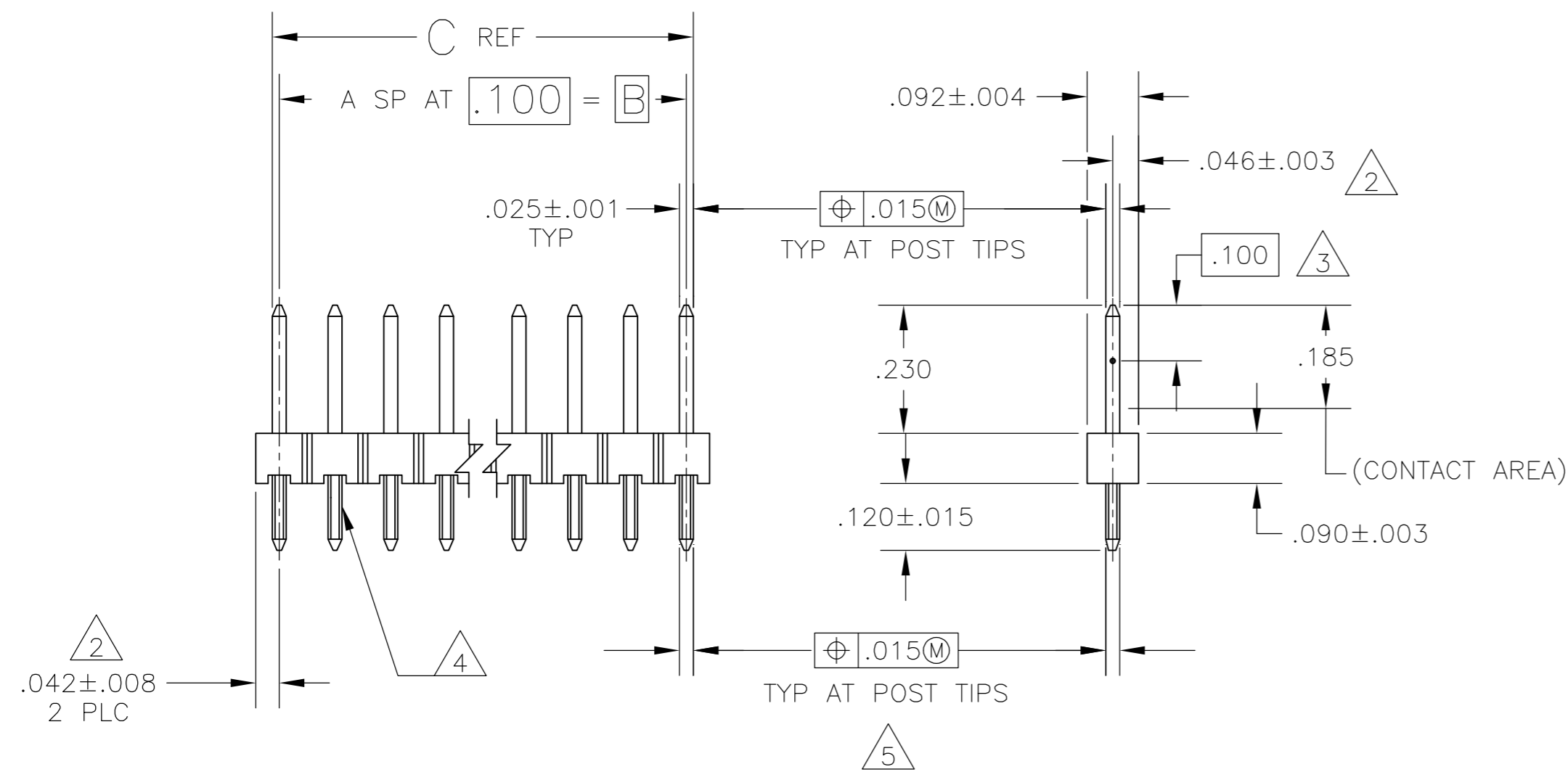


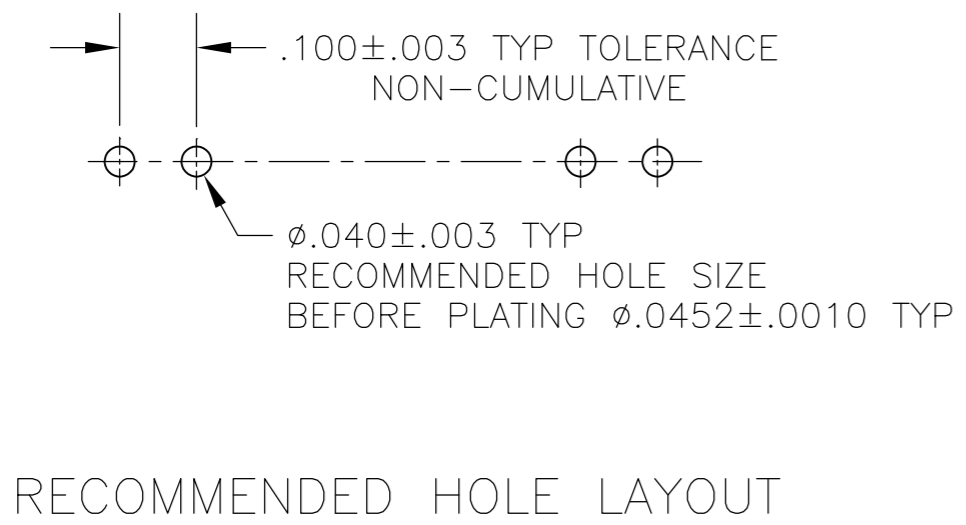


THIS DRAWING IS UNPUBLISHED. RELEASED FOR PUBLICATION  
 © COPYRIGHT - By - ALL RIGHTS RESERVED.

LOC	DIST	REVISIONS					
AD	00	P	LTR	DESCRIPTION	DATE	DWN	APVD
		K		REVISED PER ECO-14-000066	01JUL2014	NK	MM



- 1 TRUE POSITION TOLERANCE OF THE POST TIPS APPLIES WHEN THE HEADERS ARE HELD FLAT AGAINST THE PRINTED CIRCUIT BOARD.
- 2 THE NOTED DIMENSIONS APPLY AT THE INTERSECTION OF THE POST AND THE HOUSING.
- 3 POINT OF MEASUREMENT FOR PLATING THICKNESS.
- 4 RETENTION FEATURES ON SOLDER TAILS, LOCATED AT MANUFACTURERS OPTION.
- 5  $\phi .020M$  FOR KINKED TAILS.
- 6 OBSOLETE PARTS: OBSOLETE CIS STREAMLINING PER D.RENAUD/D.SINISI



	C	B	A	NO OF POSN	ASSEMBLY PART NUMBER
OBSOLETE 6	3.984	3.900	39	40	2-104345-7
	3.484	3.400	34	35	2-104345-6
	2.984	2.900	29	30	2-104345-5
	2.584	2.500	25	26	2-104345-4
	2.484	2.400	24	25	2-104345-3
	2.384	2.300	23	24	2-104345-2
	2.284	2.200	22	23	2-104345-1
	2.184	2.100	21	22	2-104345-0
	2.084	2.000	20	21	1-104345-9
	1.984	1.900	19	20	1-104345-8
OBSOLETE 6	1.884	1.800	18	19	1-104345-7
	1.784	1.700	17	18	1-104345-6
	1.684	1.600	16	17	1-104345-5
	1.584	1.500	15	16	1-104345-4
	1.484	1.400	14	15	1-104345-3
	1.384	1.300	13	14	1-104345-2
	1.284	1.200	12	13	1-104345-1
	1.184	1.100	11	12	1-104345-0
	1.084	1.000	10	11	104345-9
	.984	.900	9	10	104345-8
OBSOLETE 6	.884	.800	8	9	104345-7
	.784	.700	7	8	104345-6
	.684	.600	6	7	104345-5
	.584	.500	5	6	104345-4
	.484	.400	4	5	104345-3
	.384	.300	3	4	104345-2
	.284	.200	2	3	104345-1
	C	B	A	NO OF POSN	ASSEMBLY PART NUMBER

THIS DRAWING IS A CONTROLLED DOCUMENT.		DWN H MOLL	08FEB88	<b>STE</b> TE Connectivity
DIMENSIONS: INCHES		CHK R. FEIDT	08FEB88	
TOLERANCES UNLESS OTHERWISE SPECIFIED:		APVD R. FEIDT	08FEB88	NAME HEADER ASSY, MOD II, BREAKAWAY, SINGLE ROW, .100 CL, VERT, .025 SQ POSTS, WITH RETENTION FEATURE
0 PLC ± - 1 PLC ± - 2 PLC ± - 3 PLC ± .005 4 PLC ± - ANGLES ± -		PRODUCT SPEC		
MATERIAL HOUSING: FLAME RETARDANT THERMOPLASTIC COLOR-BLACK POST: COPPER ALLOY		FINISH - POST: .000015 GOLD IN CONTACT AREA, .000100-.000200 MATTE TIN-LEAD ON SOLDER TAIL, ALL OVER .000050 NICKEL	WEIGHT -	SIZE A2
		CUSTOMER DRAWING		CAGE CODE 00779
				DRAWING NO C=104345
				RESTRICTED TO -
				SCALE 4:1
				SHEET 1 of 1
				REV K

## Looking for pricing, stock, or lifecycle information?

Click below to explore more details on WIN SOURCE:

 [View 104345-1](#) on WIN SOURCE

 [TE Connectivity](#) Information

## Optimize Your Supply Chain with WIN SOURCE Solutions

-  Global Sourcing Solution
-  Obsolete Management
-  Cost Control Management
-  Shortage Management
-  Alternative Solution
-  Excess Inventory Management