

WIN*SOURCE*
ELECTRONICS

THE DATASHEET OF
104313-4



104313-4 ✓ ACTIVE



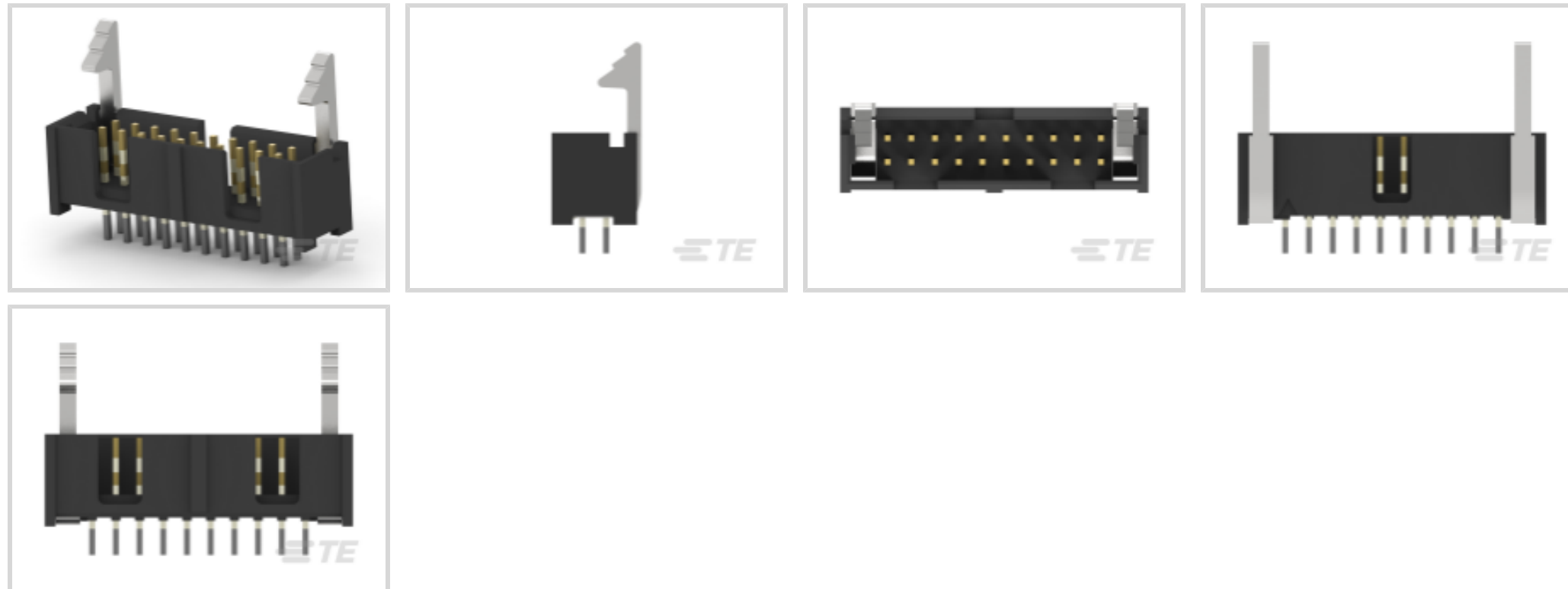
AMP-LATCH

TE Internal #: 104313-4

Board-to-Board, 20 Position, 2.54 mm [.1 in] Centerline, Vertical,
Through Hole - Solder, 2 Row, Receptacle, Low Profile, Ribbon
Cable Connectors

[View on TE.com >](#)

Connectors > PCB Connectors > Wire-to-Board Connectors > FFC, FPC & Ribbon Connectors > Ribbon Cable Connectors



Connector System: **Board-to-Board**

Number of Positions: **20**

Centerline (Pitch): **2.54 mm [.1 in]**

PCB Mount Retention: **Without**

PCB Mount Orientation: **Vertical**

Features

Contact Features

	30 µin
Contact Current Rating (Max)	1 A
Contact Underplating Material	Nickel
Mating Square Post Dimension	.64 mm[.025 in]
Contact Shape & Form	Dual Beam
PCB Contact Termination Area Plating Material Thickness	2.54 µm[100 µin]
Contact Mating Area Plating Material	Gold
Contact Base Material	Copper Alloy
PCB Contact Termination Area Plating Material	Tin-Lead
Contact Type	Pin

Product Type Features

Connector System	Board-to-Board
Connector & Housing Type	Receptacle
Connector & Contact Terminates To	Printed Circuit Board



Connector Product Type	Connector Assembly
------------------------	--------------------

Ribbon Cable Connector Header Type	Pin Header
------------------------------------	------------

Configuration Features

Number of Positions	20
---------------------	----

PCB Mount Orientation	Vertical
-----------------------	----------

Number of Rows	2
----------------	---

Housing Features

Centerline (Pitch)	2.54 mm [.1 in]
--------------------	-----------------

Housing Material	Thermoplastic
------------------	---------------

Mechanical Attachment

PCB Mount Retention	Without
---------------------	---------

Mating Alignment Type	Dual Polarizing Bar, Center
-----------------------	-----------------------------

Mating Retention	With
------------------	------

Mating Retention Type	Ejection Latch
-----------------------	----------------

Connector Mounting Type	Board Mount
-------------------------	-------------

Panel Mount Feature	Without
---------------------	---------

Mating Alignment	With
------------------	------

PCB Mount Alignment	Without
---------------------	---------

Termination Features

Termination Method to PCB	Through Hole - Solder
---------------------------	-----------------------

Termination Post & Tail Length	3.05 mm [.12 in]
--------------------------------	------------------

Square Termination Post & Tail Dimension	.64 mm [.025 in]
--	------------------

Dimensions

Row-to-Row Spacing	2.54 mm [.1 in]
--------------------	-----------------

Shrouded End Dimension	3.81 mm [.15 in]
------------------------	------------------

Connector Height	9.77 mm [.38 in]
------------------	------------------

Connector Length	22.86 mm [1.3 in]
------------------	-------------------

Body Features

Connector Profile	Low
-------------------	-----

Daisy Chain	With
-------------	------

Primary Product Color	Black
-----------------------	-------

Operation/Application



Circuit Application	Signal
---------------------	--------

Usage Conditions

Operating Temperature Range	-65 – 105 °C[-85 – 221 °F]
Housing Temperature Rating	Standard

Other

EU RoHS Compliance	Not Compliant
EU ELV Compliance	Not Compliant

Electrical Characteristics

Insulation Resistance	5000 MΩ
-----------------------	---------

Industry Standards

UL Flammability Rating	UL 94V-0
------------------------	----------

Packaging Features

Packaging Quantity	72
Packaging Method	Tray

Product Compliance

[For compliance documentation, visit the product page on TE.com>](#)

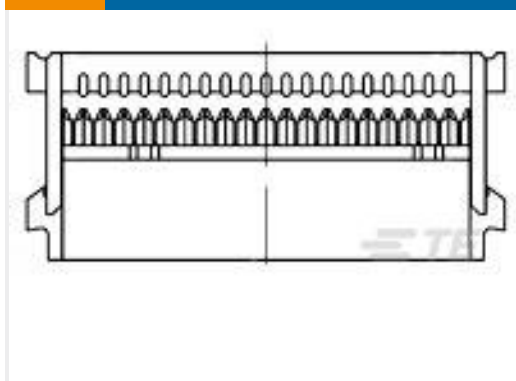
EU RoHS Directive 2011/65/EU	Not Compliant
EU ELV Directive 2000/53/EC	Not Compliant
China RoHS 2 Directive MIIT Order No 32, 2016	Restricted Materials Above Threshold
EU REACH Regulation (EC) No. 1907/2006	Current ECHA Candidate List: JUNE 2024 (241) Candidate List Declared Against: JAN 2021 (211) Does not contain REACH SVHC
Halogen Content	BFR/CFR/PVC Free, but Br/Cl >900 ppm in other sources.
Solder Process Capability	Not lead free process capable

Product Compliance Disclaimer

This information is provided based on reasonable inquiry of our suppliers and represents our current actual knowledge based on the information they provided. This information is subject to change. The part numbers that TE has identified as EU RoHS compliant have a maximum concentration of 0.1% by weight in homogenous materials for lead, hexavalent chromium, mercury, PBB, PBDE, DBP, BBP, DEHP, DIBP, and 0.01% for cadmium, or qualify for an exemption to these limits as defined in the Annexes of Directive 2011/65/EU (RoHS2). Finished electrical and electronic equipment products will be CE marked as required by Directive 2011/65/EU. Components may not be CE marked. Additionally, the part numbers that TE has identified as EU ELV compliant have a maximum concentration of 0.1% by weight in homogenous materials for lead, hexavalent chromium, and mercury, and 0.01% for cadmium, or qualify for an exemption to these limits as defined in the Annexes of Directive 2000/53/EC (ELV). Regarding the REACH Regulation, the information TE provides

on SVHC in articles for this part number is based on the latest European Chemicals Agency (ECHA) 'Guidance on requirements for substances in articles' posted at this URL: <https://echa.europa.eu/guidance-documents/guidance-on-reach>

Compatible Parts



TE Part # 3-1658526-0
609-2000MLF=FSKT IDC S 20 30AU



TE Part # 1-1658526-2
609-2030LF FEM SOCKET, LEAD FREE

Customers Also Bought



TE Part #1-747150-4
09 RCPT SP/FMS SCRLK



TE Part #T4171310405-001
M12, FRONT MOUNTING, FEMALE, B, 5P, 0.2M WIRE



TE Part #CAT-AM78-H342
AMPSEAL PCB Vertical Headers



TE Part #2336568-1
RECEPT ASSY, RA, 168 POS, SLIVER 2.0



TE Part #2301994-1
RJ45 JACK INT. MAG. 10/100 1X1 INV.



TE Part #213899-1
CPC SEAL ASSY KIT, SRS 5, 17-3



TE Part #5-146281-4
04 MODII HDR SRST B/A LF



TE Part #5103311-6
A/L LOW PRO HDR 26P RA BLACK



TE Part #5-146274-4
04 MODII HDR SRST B/A .100CL

Documents

Product Drawings

020 LOPRO HDR SP 30DP LATCH

English



CAD Files

3D PDF

3D

Customer View Model

[ENG_CVM_CVM_104313-4_K.2d_dxf.zip](#)

English

Customer View Model

[ENG_CVM_CVM_104313-4_K.3d_igs.zip](#)

English

Customer View Model

[ENG_CVM_CVM_104313-4_K.3d_stp.zip](#)

English

By downloading the CAD file I accept and agree to the [Terms and Conditions](#) of use.

Product Specifications

Product Specification

English

Agency Approvals

Agency Approval Document

English

Looking for pricing, stock, or lifecycle information?

Click below to explore more details on WIN SOURCE:

[View 104313-4 on WIN SOURCE](#)

[TE Connectivity Information](#)

Optimize Your Supply Chain with WIN SOURCE Solutions

- ✓ Global Sourcing Solution
- ✓ Obsolete Management
- ✓ Cost Control Management
- ✓ Shortage Management
- ✓ Alternative Solution
- ✓ Excess Inventory Management