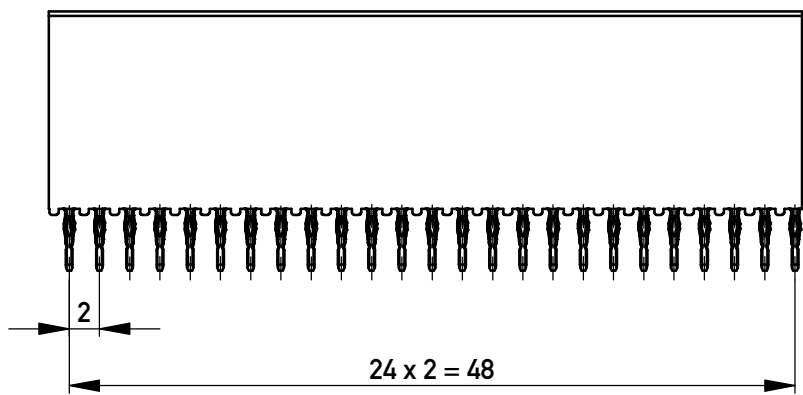


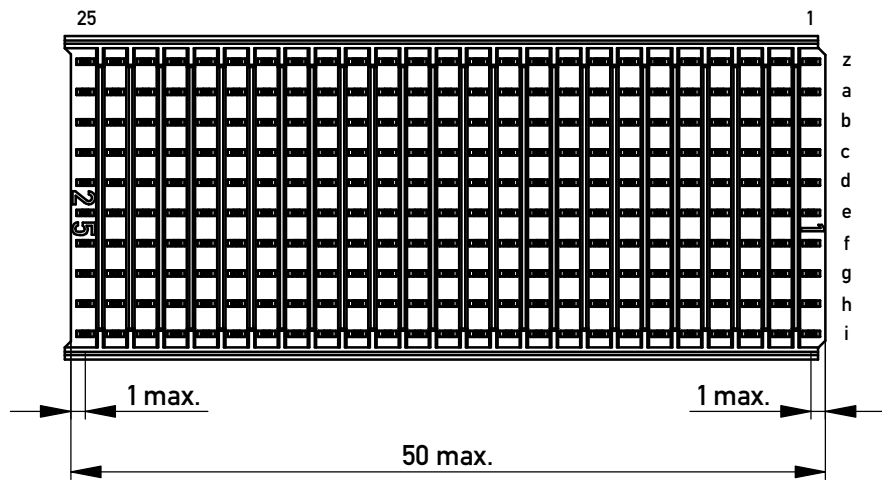
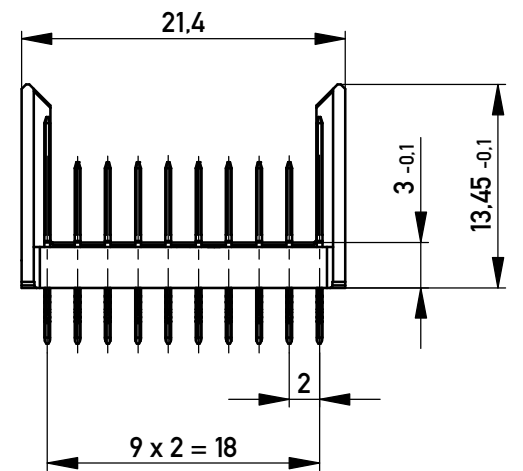


**THE DATASHEET OF
104153**

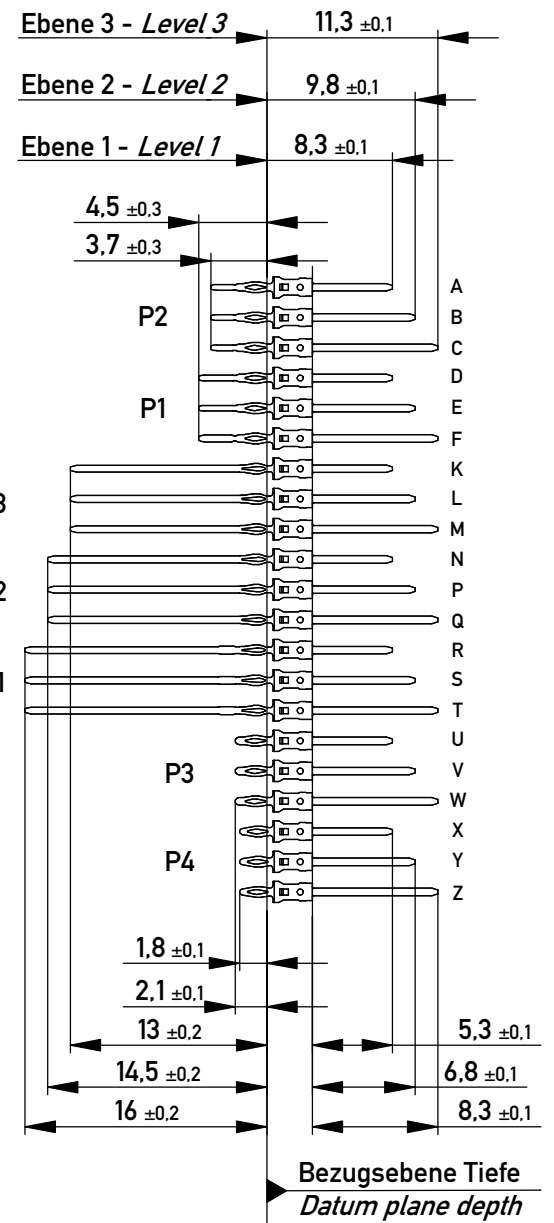
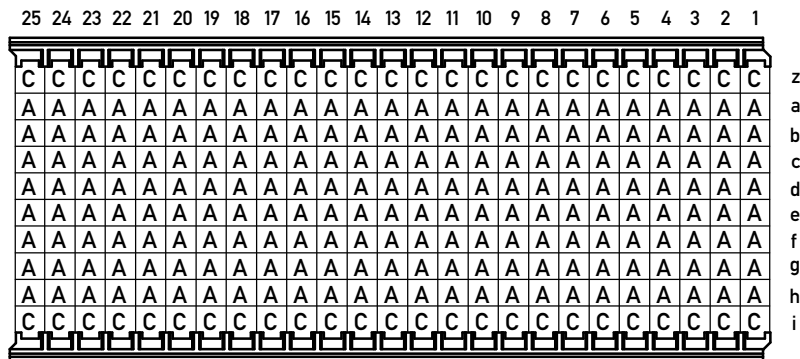




EN Zone für durchkontaktierte Löcher $\varnothing 0,6 \pm 0,05$
compliant zone for thru hole $\varnothing 0,6 \pm 0,05$

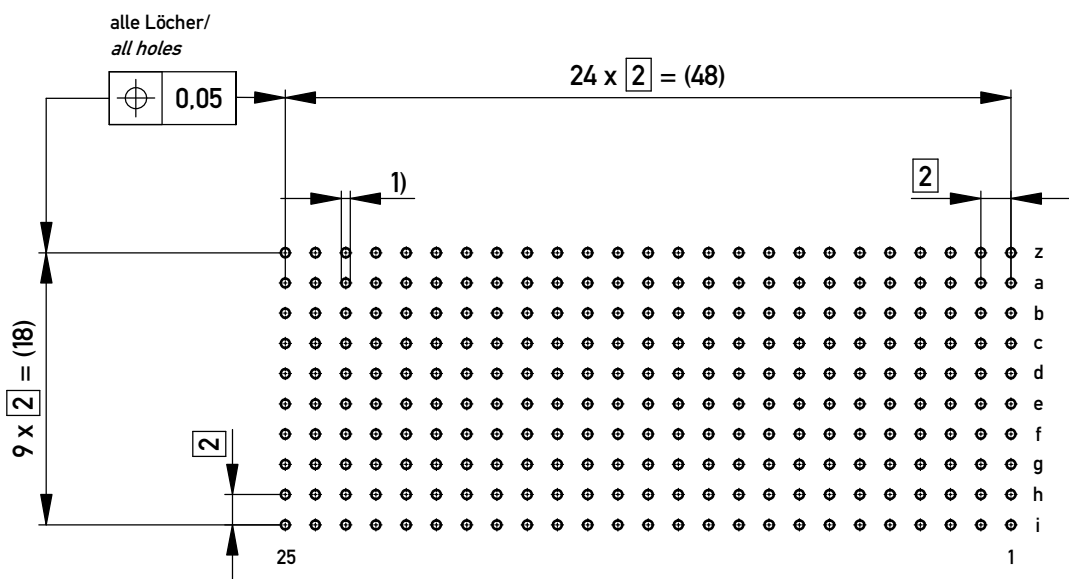


Bestückungsplan / contact layout



Lochbild für Leiterplatte (Bestückungsseite)

board hole pattern (component mounting side)



1) $\varnothing 0,6 \pm 0,05$ Durchmesser des metallisierten Loches
 $\varnothing 0,6 \pm 0,05$ Diameter of finished plated-through hole

Schichtaufbau im metallisierten Loch siehe Zeichnung 164062 Nr.1
Metal plating of plated-through hole see drawing 164062 No.1

Fehlende Maße und Angaben nach IEC 61076-4-101
Missing information and dimensions per IEC 61076-4-101

Information: P2 Level 1, 3 siehe Bestückungsplan / see contact layout Anforderungsstufe 2 / class 2	Tolerances	 All Dimensions in mm	Scale	2:1
	All rights reserved. Only for Information. To ensure that this is the latest version of this drawing, please contact one of the ERNI companies before using.		Subject to modification without prior notice. Drawing will not be updated.	Designation
Copyright by ERNI Production GmbH & Co. KG Proprietary notice pursuant to ISO 16016 to be observed.	 www.ERNI.com		104153	I A3
d	26.02.2018		Class	ERME
Index	Date			

Looking for pricing, stock, or lifecycle information?

Click below to explore more details on WIN SOURCE:

[View 104153 on WIN SOURCE](#)

[TE Connectivity Information](#)

Optimize Your Supply Chain with WIN SOURCE Solutions

- ✓ Global Sourcing Solution
- ✓ Obsolete Management
- ✓ Cost Control Management
- ✓ Shortage Management
- ✓ Alternative Solution
- ✓ Excess Inventory Management