

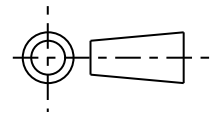


THE DATASHEET OF
10356



ISS.	DATE	E.C.N.	DESCRIPTION
1	6-Jul-07		FIRST ISSUE

© 2007 CARCLO
ALL DIMENSIONS IN mm



CARCLO TECHNICAL PLASTICS (SLOUGH)
111 BUCKINGHAM AVE, SLOUGH
SL1 4PF, ENGLAND
TEL: +44 1753 575011 FAX: +44 1753 811359
e-mail: design@carclo-optics.com}

CUSTOMER DRAWING

GENERAL TOLERANCES (UNLESS STATED)

LINEAR	ANGULAR
X +/- 0.25	X +/- 1°
X.X +/- 0.1	X.X +/- 0.5°
X.XX +/- 0.05	X.XX +/- 0.1°

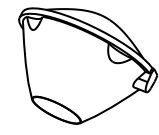
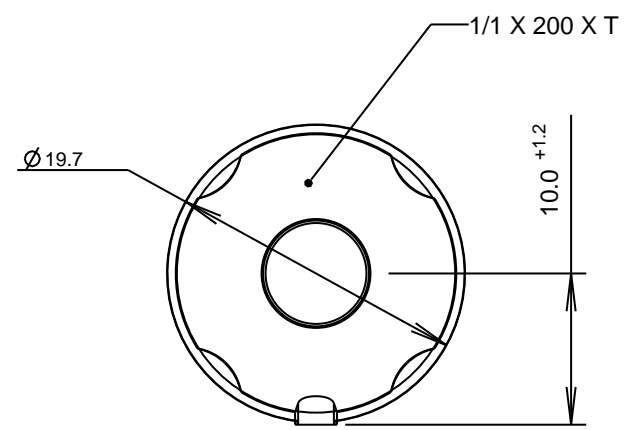
CUSTOMER
CARCLO

TITLE
**FIBRE COUPLING 0.8MM OFFSET
FOCUS 20 MM DIA OPTIC**

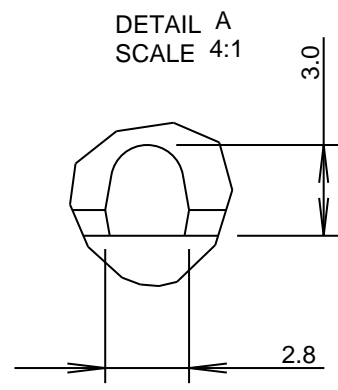
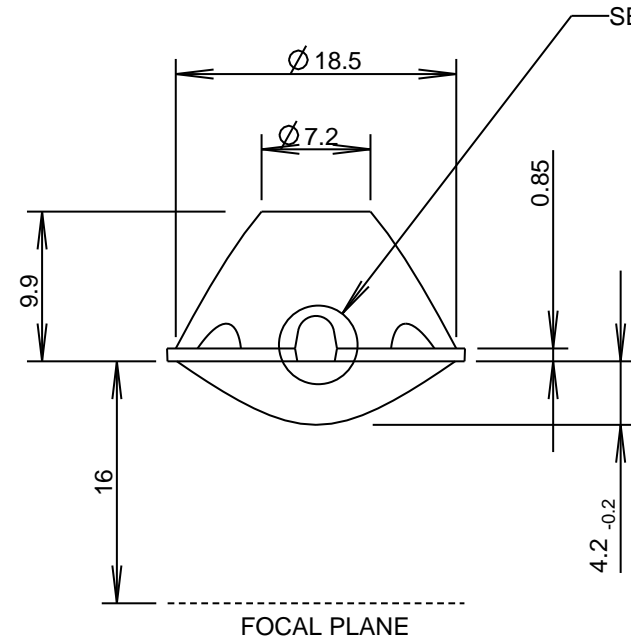
DRAWN	DATE
AJD	6-JUL-07
CHK'D	DATE
APP'D	DATE

SCALE	CARCLO PART No.
2:1	10356

SIZE	CARCLO DRG. No.	SHEET
A4	60477	1 OF 1



3D VIEW
SCALE 1:1



DETAIL A
SCALE 4:1

- NOTES:
1. MATERIAL - UV STABILISED POLYCARBONATE
2. INCLUSIONS SPECIFIED TO BS4301

Looking for pricing, stock, or lifecycle information?

Click below to explore more details on WIN SOURCE:

- ⊖ [View 10356 on WIN SOURCE](#)
- ⊖ [Carclo Technical Plastics](#) Information

Optimize Your Supply Chain with WIN SOURCE Solutions

- ✓ Global Sourcing Solution
- ✓ Obsolete Management
- ✓ Cost Control Management
- ✓ Shortage Management
- ✓ Alternative Solution
- ✓ Excess Inventory Management