

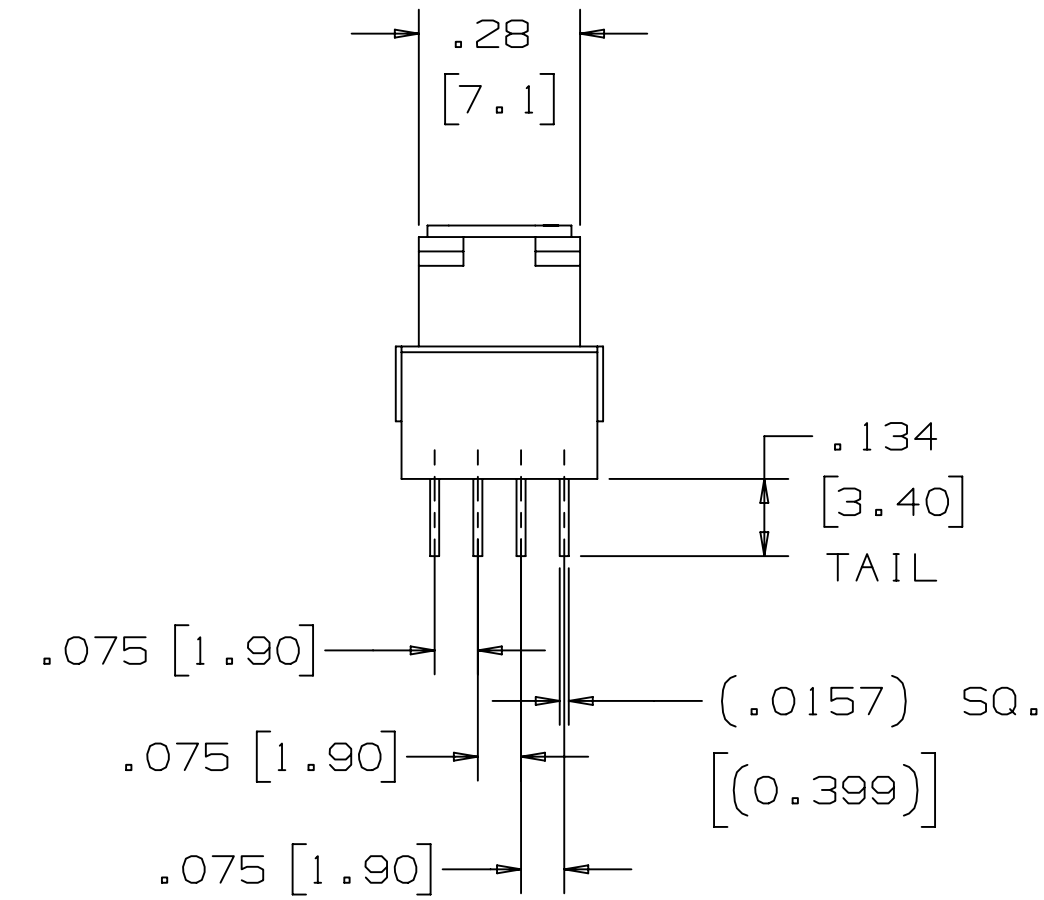
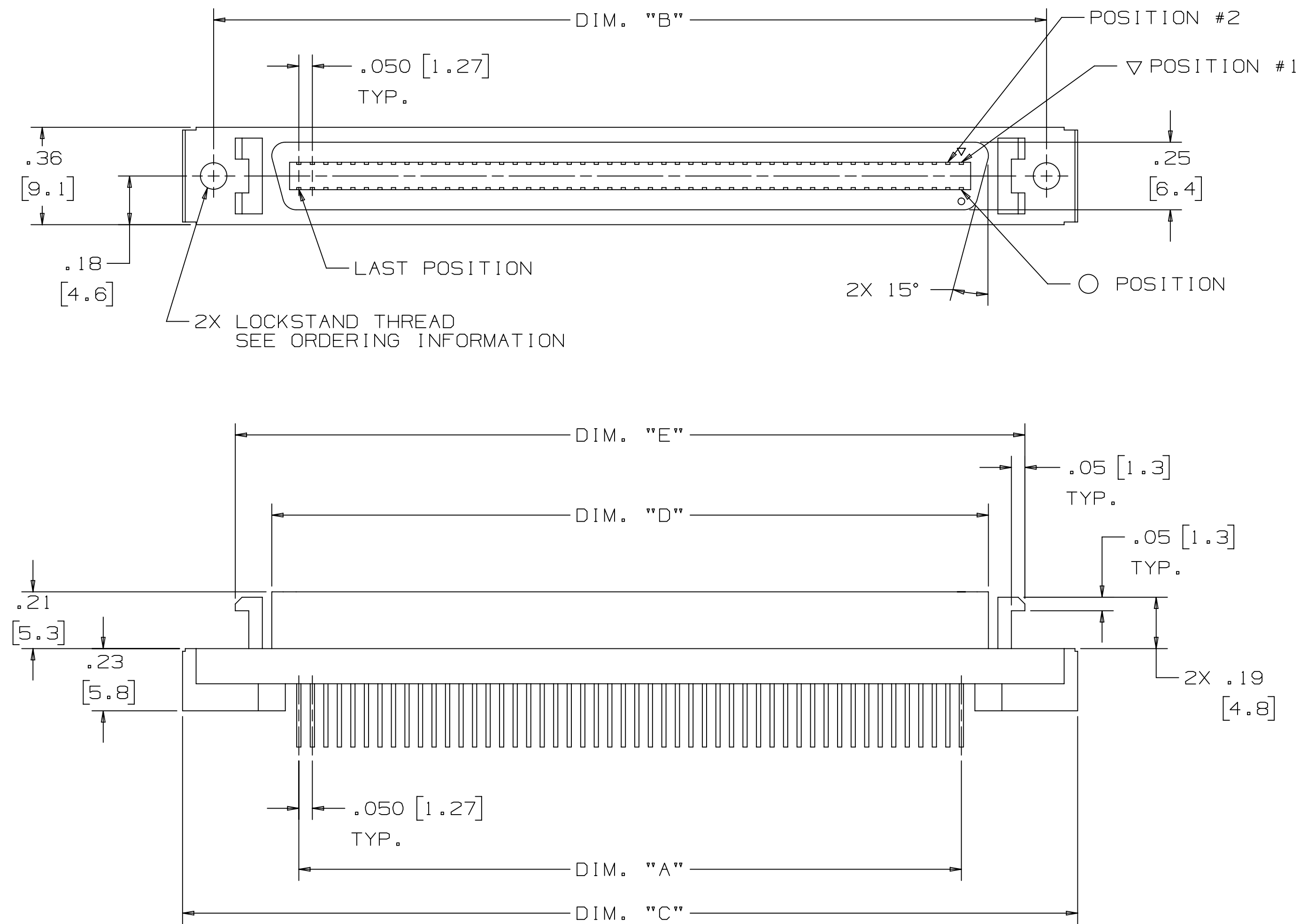


**THE DATASHEET OF
10250-6212PC**



3M™ MINI D RIBBON (MDR) CONNECTORS, 102 SERIES
 .050" BOARDMOUNT THROUGH-HOLE VERTICAL RECEPTACLE - SHIELDED

CONTACT QTY.	DIM. "A"	DIM. "B"	DIM. "C"	DIM. "D"	DIM. "E"
14	.300 [7.62]	.93 [23.6]	1.16 [29.5]	.50 [12.6]	.77 [19.5]
20	.450 [11.43]	1.08 [27.5]	1.31 [33.4]	.65 [16.4]	.92 [23.4]
26	.600 [15.24]	1.23 [31.3]	1.46 [37.2]	.80 [20.2]	1.07 [27.2]
36	.850 [21.59]	1.48 [37.6]	1.71 [43.5]	1.05 [26.6]	1.32 [33.5]
40	.950 [24.13]	1.58 [40.2]	1.81 [46.1]	1.15 [29.1]	1.42 [36.1]
50	1.200 [30.48]	1.83 [46.5]	2.06 [52.4]	1.40 [35.5]	1.67 [42.4]
68	1.650 [41.91]	2.28 [57.9]	2.51 [63.8]	1.85 [46.9]	2.12 [53.8]
80	1.950 [49.53]	2.58 [65.6]	2.81 [71.5]	2.15 [54.5]	2.42 [61.5]
100	2.540 [62.23]	3.08 [78.3]	3.31 [84.2]	2.65 [67.2]	2.92 [74.2]



3M ELECTRONICS MATERIALS SOLUTIONS DIVISION
 INTERCONNECT SOLUTIONS
<http://www.3M.com/interconnect>

3M IS A TRADEMARK OF 3M COMPANY.
 FOR TECHNICAL, SALES OR ORDERING
 INFORMATION CALL 800-225-5373

DESIGN REFERENCE	NEXT ASSEMBLY	REV	ECO	ISSUE DATE AND DESCRIPTION	DRFT	CHKD
		1		JUL 13, 2022	JNC	FJR
		2		REDRAWN		
		3		REVISE TEMP RATING		
		4		NOV 26, 2022	BAC	ARM
		5		REMOVE NON-ROHS		
		6		MAR 05, 2007	BAC	DFC
		7		PRODUCTION RELEASE		
		8		JUL 13, 2022		
		9		JUL 13, 2022		
		10		JUL 13, 2022		

DO NOT SCALE DRAWING	SCALE	TOLERANCES EXCEPT AS NOTED
	3/1	
		INCHES
		.00 ± .01
		.0000 ± .0005
		.0000 ± .0002
		MILLIMETERS
		0 ±
		.00 ±
		.000 ±
		ANGLES
		±

TITLE	CAGE NUMBER	SIZE	DRAWING NO.	REV.
MDR CONN, SHIELDED, 050" BMT THRU-HOLE VERT RECEPTACLE	D		78-5100-0427-4	C

MAX SURFACE ROUGHNESS	MARKED ONLY	ANGLES
0.00 ±		±
0.00 ±		±
0.00 ±		±

MODEL	102	DET	YES	NO	SHT 2 OF 4

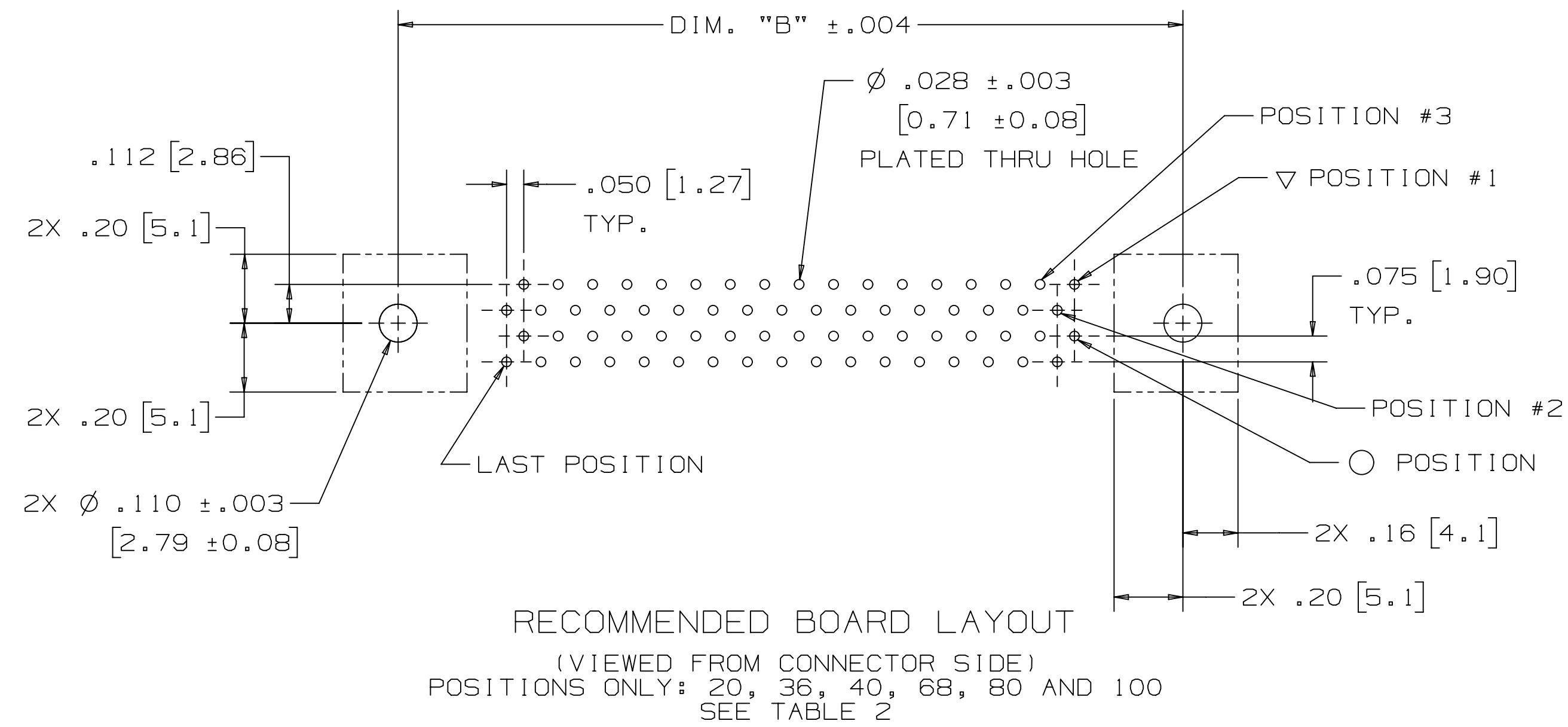
78-5100-0427-4

3M™ MINI D RIBBON (MDR) CONNECTORS, 102 SERIES
 .050" BOARDMOUNT THROUGH-HOLE VERTICAL RECEPTACLE - SHIELDED

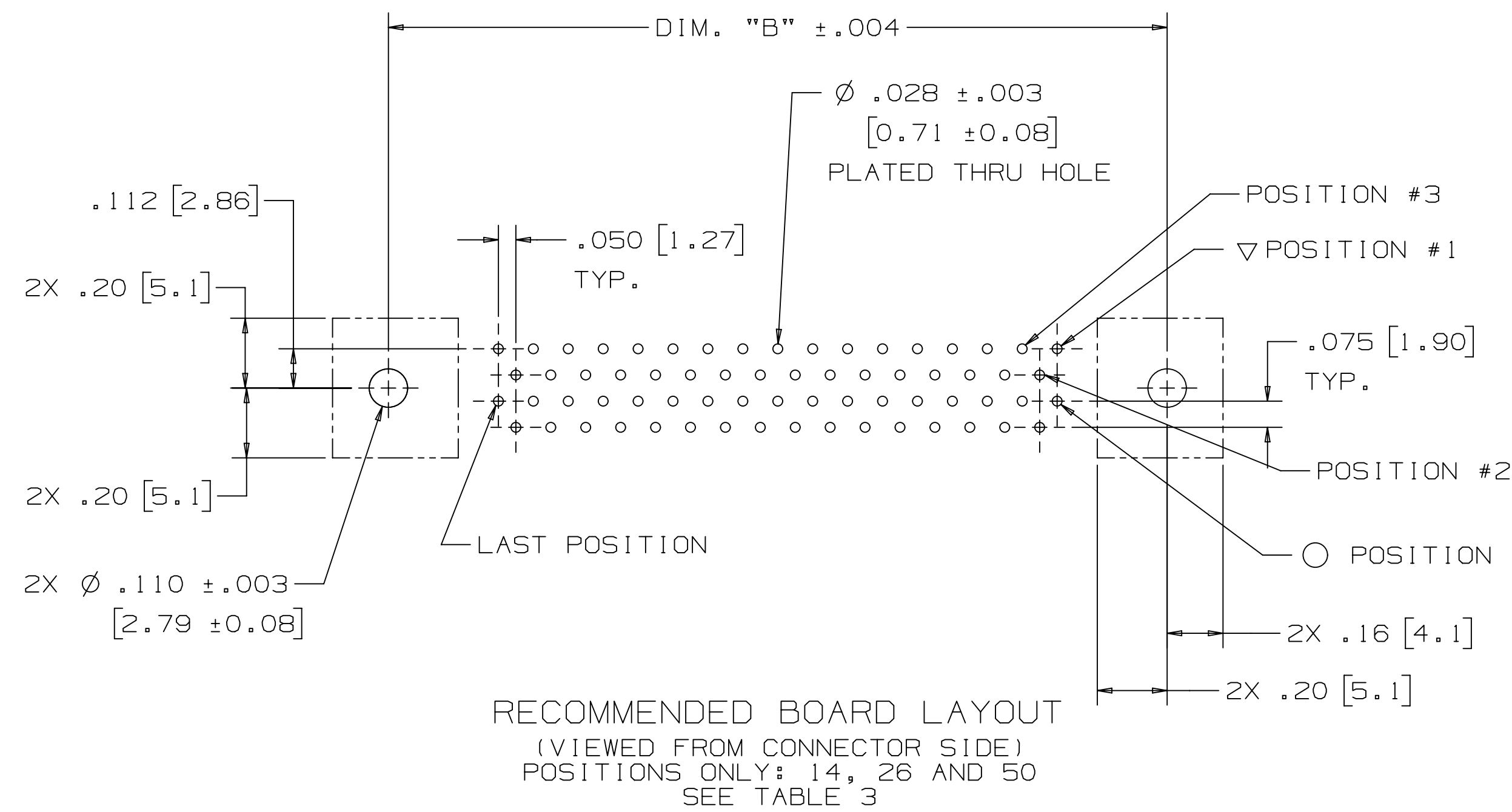
NOTES

- 1. RECOMMENDED PC BOARD THICKNESS OF .062".

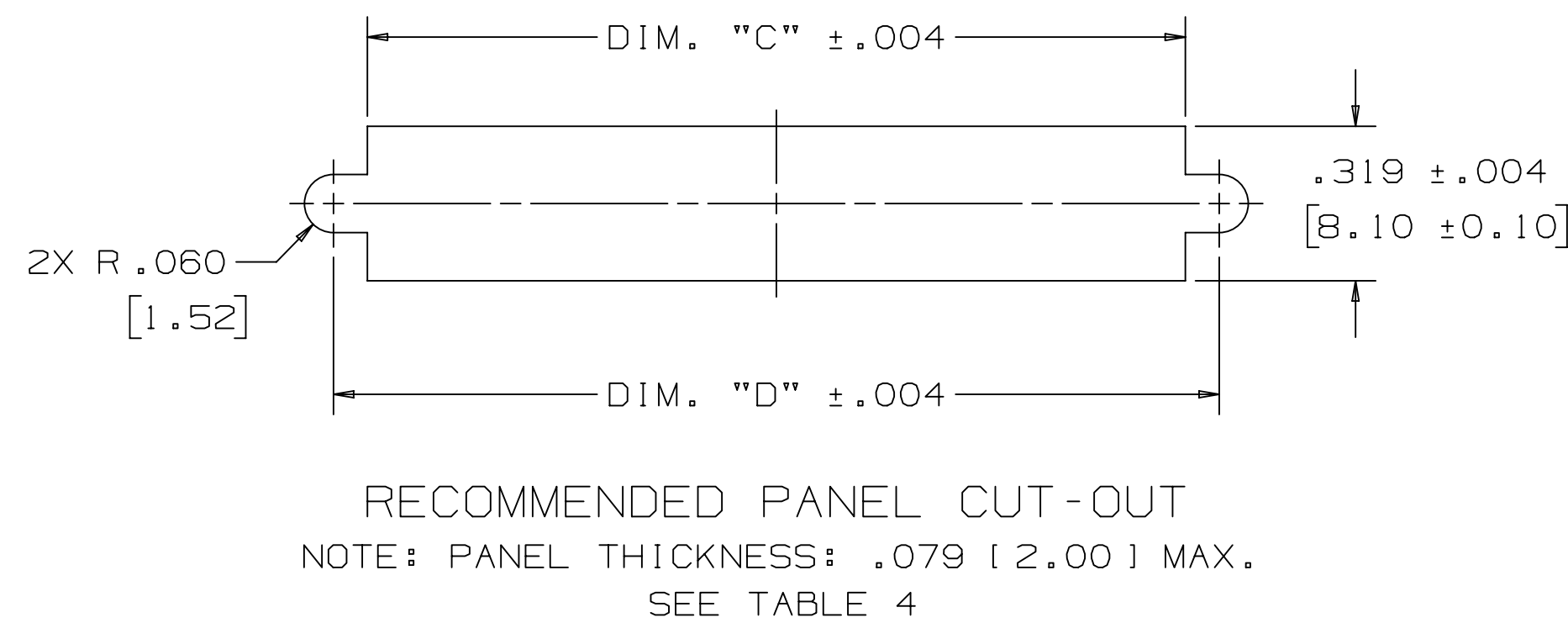
CONTACT QTY.	DIM. "A"	DIM. "B"
20	.450 [11.43]	1.081 [27.45]
36	.850 [21.59]	1.481 [37.61]
40	.950 [24.13]	1.581 [40.15]
68	1.650 [41.91]	2.281 [57.93]
80	1.950 [49.53]	2.581 [65.55]
100	2.450 [62.23]	3.081 [78.25]



CONTACT QTY.	DIM. "A"	DIM. "B"
14	.300 [7.62]	.931 [23.64]
26	.600 [15.24]	1.231 [31.26]
50	1.200 [30.48]	1.831 [46.50]



CONTACT QTY.	DIM. "C"	DIM. "D"
14	.78 [20.0]	.93 [23.64]
20	.94 [23.8]	1.08 [27.45]
26	1.09 [27.6]	1.23 [31.26]
36	1.33 [33.9]	1.48 [37.61]
40	1.44 [36.5]	1.58 [40.15]
50	1.69 [42.8]	1.83 [46.50]
68	2.13 [54.2]	2.28 [57.93]
80	2.44 [61.9]	2.58 [65.55]
100	2.94 [74.6]	3.08 [78.25]



3M ELECTRONICS MATERIALS SOLUTIONS DIVISION
 INTERCONNECT SOLUTIONS
<http://www.3M.com/interconnect>

3M IS A TRADEMARK OF 3M COMPANY.
 FOR TECHNICAL, SALES OR ORDERING
 INFORMATION CALL 800-225-5373

DESIGN REFERENCE	NEXT ASSEMBLY	REV	ECO	ISSUE DATE AND DESCRIPTION	DRFT	CHKD
		DRFT	CASTIGLIONE	DATE	JUL 13, 2022	MFG
		CHKD		DATE		DATE
				APPRV	F. RODRIGUEZ	DATE
						JUL 13, 2022
DIVISION		DIVISION CODE				
emsd		emsd				
DO NOT SCALE DRAWING	SCALE 3/1	TOLERANCES EXCEPT AS NOTED				
THIRD ANGLE PROJECTION		INCHES				
INTERPRET PER ASME Y14.5 - 2018		.00 ± .01				
MAX. SURFACE ROUGHNESS		.000 ± .005				
ALL SURFACES MARKED ONLY		.0000 ± .0002				
		MILLIMETERS				
		0 ±				
		.00 ±				
		.000 ±				
		ANGLES ±				
		CAGE NUMBER				
		D 78-5100-0427-4				
		MODEL				
		102				
		REV.				
		C				

© 3M COPYRIGHT 2022
 This document and the information it contains are 3M property and may not be reproduced or further distributed without 3M permission, or used or disclosed other than for 3M authorized purposes. All rights reserved.

3M Center St. Paul, MN 55144

TITLE: MDR CONN, SHIELDED, .050" BMT THRU-HOLE VERT RECEPTACLE

DATE: JUL 13, 2022

ISSUE DATE AND DESCRIPTION: REDRAWN

REVISIONS:

REV	ECO	ISSUE DATE AND DESCRIPTION	DRFT	CHKD
C	105842	JUL 13, 2022	JNC	FJR
B	16859	NOV 26, 2022	BAC	ARM
A	16859	MAR 05, 2007	BAC	DFC

REVISIONS:

REV	ECO	ISSUE DATE AND DESCRIPTION	DRFT	CHKD
C	105842	JUL 13, 2022	JNC	FJR
B	16859	NOV 26, 2022	BAC	ARM
A	16859	MAR 05, 2007	BAC	DFC

REVISIONS:

REV	ECO	ISSUE DATE AND DESCRIPTION	DRFT	CHKD
C	105842	JUL 13, 2022	JNC	FJR
B	16859	NOV 26, 2022	BAC	ARM
A	16859	MAR 05, 2007	BAC	DFC

REVISIONS:

REV	ECO	ISSUE DATE AND DESCRIPTION	DRFT	CHKD
C	105842	JUL 13, 2022	JNC	FJR
B	16859	NOV 26, 2022	BAC	ARM
A	16859	MAR 05, 2007	BAC	DFC

REVISIONS:

REV	ECO	ISSUE DATE AND DESCRIPTION	DRFT	CHKD
C	105842	JUL 13, 2022	JNC	FJR
B	16859	NOV 26, 2022	BAC	ARM
A	16859	MAR 05, 2007	BAC	DFC

REVISIONS:

REV	ECO	ISSUE DATE AND DESCRIPTION	DRFT	CHKD
C	105842	JUL 13, 2022	JNC	FJR
B	16859	NOV 26, 2022	BAC	ARM
A	16859	MAR 05, 2007	BAC	DFC

REVISIONS:

REV	ECO	ISSUE DATE AND DESCRIPTION	DRFT	CHKD
C	105842	JUL 13, 2022	JNC	FJR
B	16859	NOV 26, 2022	BAC	ARM
A	16859	MAR 05, 2007	BAC	DFC

REVISIONS:

REV	ECO	ISSUE DATE AND DESCRIPTION	DRFT	CHKD
C	105842	JUL 13, 2022	JNC	FJR
B	16859	NOV 26, 2022	BAC	ARM
A	16859	MAR 05, 2007	BAC	DFC

REVISIONS:

REV	ECO	ISSUE DATE AND DESCRIPTION	DRFT	CHKD
C	105842	JUL 13, 2022	JNC	FJR
B	16859	NOV 26, 2022	BAC	ARM
A	16859	MAR 05, 2007	BAC	DFC

REVISIONS:

REV	ECO	ISSUE DATE AND DESCRIPTION	DRFT	CHKD
C	105842	JUL 13, 2022	JNC	FJR
B	16859	NOV 26, 2022	BAC	ARM
A	16859	MAR 05, 2007	BAC	DFC

REVISIONS:

REV	ECO	ISSUE DATE AND DESCRIPTION	DRFT	CHKD
C	105842	JUL 13, 2022	JNC	FJR
B	16859	NOV 26, 2022	BAC	ARM
A	16859	MAR 05, 2007	BAC	DFC

REVISIONS:

REV	ECO	ISSUE DATE AND DESCRIPTION	DRFT	CHKD
C	105842	JUL 13, 2022	JNC	FJR
B	16859	NOV 26, 2022	BAC	ARM
A	16859	MAR 05, 2007	BAC	DFC

REVISIONS:

REV	ECO	ISSUE DATE AND DESCRIPTION	DRFT	CHKD
C	105842	JUL 13, 2022	JNC	FJR
B	16859	NOV 26, 2022	BAC	ARM
A	16859	MAR 05, 2007	BAC	DFC

REVISIONS:

REV	ECO	ISSUE DATE AND DESCRIPTION	DRFT	CHKD
C	105842	JUL 13, 2022	JNC	FJR
B	16859	NOV 26, 2022	BAC	ARM
A	16859	MAR 05, 2007	BAC	DFC

REVISIONS:

REV	ECO	ISSUE DATE AND DESCRIPTION	DRFT	CHKD
C	105842	JUL 13, 2022	JNC	FJR
B	16859	NOV 26, 2022	BAC	ARM
A	16859	MAR 05, 2007	BAC	DFC

REVISIONS:

REV	ECO	ISSUE DATE AND DESCRIPTION	DRFT	CHKD
C	105842	JUL 13, 2022	JNC	FJR
B	16859	NOV 26, 2022	BAC	ARM
A	16859	MAR 05, 2007	BAC	DFC

REVISIONS:

REV	ECO	ISSUE DATE AND DESCRIPTION	DRFT	CHKD
C	105842	JUL 13, 2022	JNC	FJR
B	16859	NOV 26, 2022	BAC	ARM
A	16859	MAR 05, 2007	BAC	DFC

REVISIONS:

REV	ECO	ISSUE DATE AND DESCRIPTION	DRFT	CHKD
C	105842	JUL 13, 2022	JNC	FJR
B	16859	NOV 26, 2022	BAC	ARM
A	16859	MAR 05, 2007	BAC	DFC

REVISIONS:

REV	ECO	ISSUE DATE AND DESCRIPTION	DRFT	CHKD
C	105842	JUL 13, 2022	JNC	FJR
B	16859	NOV 26, 2022	BAC	ARM
A	16859	MAR 05, 2007	BAC	DFC

REVISIONS:

REV	ECO	ISSUE DATE AND DESCRIPTION	DRFT	CHKD
C	105842	JUL 13, 2022	JNC	FJR
B	16859	NOV 26, 2022	BAC	ARM
A	16859	MAR 05, 2007	BAC	DFC

REVISIONS:

REV	ECO	ISSUE DATE AND DESCRIPTION	DRFT	CHKD
C	105842	JUL 13, 2022	JNC	FJR
B	16859	NOV 26, 2022	BAC	ARM
A	16859	MAR 05, 2007	BAC	DFC

REVISIONS:

REV	ECO	ISSUE DATE AND DESCRIPTION	DRFT	CHKD
C	105842	JUL 13, 2022	JNC	FJR
B	16859	NOV 26, 2022	BAC	ARM
A	16859	MAR 05, 2007	BAC	DFC

REVISIONS:

REV	ECO	ISSUE DATE AND DESCRIPTION	DRFT	CHKD
C	105842	JUL 13, 2022	JNC	FJR
B	16859	NOV 26, 2022	BAC	ARM
A	16859	MAR 05, 2007	BAC	DFC

REVISIONS:

REV	ECO	ISSUE DATE AND DESCRIPTION	DRFT	CHKD
C	105842	JUL 13, 2022	JNC	FJR
B	16859	NOV 26, 2022	BAC	ARM
A	16859	MAR 05, 2007	BAC	DFC

REVISIONS:

REV	ECO	ISSUE DATE AND DESCRIPTION	DRFT	CHKD
C	105842	JUL 13, 2022	JNC	FJR
B	16859	NOV 26, 2022	BAC	ARM
A	16859	MAR 05, 2007	BAC	DFC

REVISIONS:

REV	ECO	ISSUE DATE AND DESCRIPTION	DRFT	CHKD
C	105842	JUL 13, 2022	JNC	FJR
B	16859	NOV 26, 2022	BAC	ARM
A	16859	MAR 05, 2007	BAC	DFC

REVISIONS:

REV	ECO	ISSUE DATE AND DESCRIPTION	DRFT	CHKD
C	105842	JUL 13, 2022	JNC	FJR
B	16859	NOV 26, 2022	BAC	ARM
A	16859	MAR 05, 2007	BAC	DFC

REVISIONS:

REV	ECO	ISSUE DATE AND DESCRIPTION	DRFT	CHKD
C	105842	JUL 13, 2022	JNC	FJR
B	16859	NOV 26, 2022	BAC	ARM
A	16859	MAR 05, 2007	BAC	DFC

REVISIONS:

REV	ECO	ISSUE DATE AND DESCRIPTION	DRFT	CHKD
C	105842	JUL 13, 2022	JNC	FJR
B	16859	NOV 26, 2022	BAC	ARM
A	16859	MAR 05, 2007	BAC	DFC

REVISIONS:

REV	ECO	ISSUE DATE AND DESCRIPTION	DRFT	CHKD
C	105842	JUL 13, 2022	JNC	FJR
B	16859	NOV 26, 2022	BAC	ARM
A	16859	MAR 05, 2007	BAC	DFC

REVISIONS:

REV	ECO	ISSUE DATE AND DESCRIPTION	DRFT	CHKD
C	105842	JUL 13, 2022	JNC	FJR
B	16859	NOV 26, 2022	BAC	ARM
A	16859	MAR 05, 2007	BAC	DFC

REVISIONS:

REV	ECO	ISSUE DATE AND DESCRIPTION	DRFT	CHKD
C	105842	JUL 13, 2022	JNC	FJR
B	16859	NOV 26, 2022	BAC	ARM
A	16859	MAR 05, 2007	BAC	DFC

REVISIONS:

REV	ECO	ISSUE DATE AND DESCRIPTION	DRFT	CHKD
C	105842	JUL 13, 2022	JNC	FJR
B	16859	NOV 26, 2022	BAC	ARM
A	16859	MAR 05, 2007	BAC	DFC

REVISIONS:

REV	ECO	ISSUE DATE AND DESCRIPTION	DRFT	CHKD
C	105842	JUL 13, 2022	JNC	FJR
B	16859	NOV 26, 2022	BAC	ARM
A	16859	MAR 05, 2007	BAC	DFC

REVISIONS:

REV	ECO	ISSUE DATE AND DESCRIPTION	DRFT	CHKD
C	105842	JUL 13, 2022	JNC	FJR
B	16859	NOV 26, 2022	BAC	ARM
A	16859	MAR 05, 2007	BAC	DFC

REVISIONS:

REV	ECO	ISSUE DATE AND DESCRIPTION	DRFT	CHKD
C	105842	JUL 13, 2022	JNC	FJR
B	16859	NOV 26, 2022	BAC	ARM
A	16859	MAR 05, 2007	BAC	DFC

REVISIONS:

REV	ECO	ISSUE DATE AND DESCRIPTION	DRFT	CHKD
C	105842	JUL 13, 2022	JNC	FJR
B	16859	NOV 26, 2022	BAC	ARM
A	16859	MAR 05, 2007	BAC	DFC

REVISIONS:

REV	ECO	ISSUE DATE AND DESCRIPTION	DRFT	CHKD
C	105842	JUL 13, 2022	JNC	FJR
B	16859	NOV 26, 2022	BAC	ARM
A	16859	MAR 05, 2007	BAC	DFC

REVISIONS:

REV	ECO	ISSUE DATE AND DESCRIPTION	DRFT	CHKD
C	105842	JUL 13, 2022	JNC	FJR
B	16859	NOV 26, 2022	BAC	ARM
A	16859	MAR 05, 2007	BAC	DFC

REVISIONS:

REV	ECO	ISSUE DATE AND DESCRIPTION	DRFT	CHKD
C	105842	JUL 13, 2022	JNC	FJR
B	16859	NOV 26, 2022	BAC	ARM
A	16859	MAR 05, 2007	BAC	DFC

REVISIONS:

REV	ECO	ISSUE DATE AND DESCRIPTION
-----	-----	----------------------------

8 7 6 5 4 3 2 1

3M™ MINI D RIBBON (MDR) CONNECTORS, 102 SERIES
 .050" BOARDMOUNT THROUGH-HOLE VERTICAL RECEPTACLE - SHIELDED

Regulatory: For regulatory information about this product, visit 3M.com/regs or contact your 3M representative.

Technical Information: The technical information, recommendations and other statements contained in this document are based upon tests or experience that 3M believes are reliable, but the accuracy or completeness of such information is not guaranteed.

Product Use: Many factors beyond 3M's control and uniquely within user's control can affect the use and performance of a 3M product in a particular application. Given the variety of factors that can affect the use and performance of a 3M product, user is solely responsible for evaluating the 3M product and determining whether it is fit for a particular purpose and suitable for user's method of application.


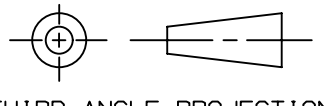
Warranty, Limited Remedy, and Disclaimer: Unless an additional warranty is specifically stated on the applicable 3M product packaging or product literature, 3M warrants that each 3M product meets the applicable 3M product specification at the time 3M ships the product. 3M MAKES NO OTHER WARRANTIES OR CONDITIONS, EXPRESS OR IMPLIED, INCLUDING, BUT NOT LIMITED TO, ANY IMPLIED WARRANTY OR CONDITION OF MERCHANTABILITY OR FITNESS FOR A PARTICULAR PURPOSE OR ANY IMPLIED WARRANTY OR CONDITION ARISING OUT OF A COURSE OF DEALING, CUSTOM OR USAGE OR TRADE. If the 3M product does not conform to this warranty, then the sole and exclusive remedy is, at 3M's option, replacement of the 3M product or refund of the purchase price.

Limitation of Liability: Except where prohibited by law, 3M will not be liable for any loss or damage arising from the 3M product, whether direct, indirect, special, incidental or consequential, regardless of the legal theory asserted, including warranty, contract, negligence or strict liability.

3M Company
 Electronics Materials Solutions Division
 13011 McCallen Pass, Bldg. C
 Austin, TX 78753-5380
 1-800-225-5373
 www.3M.com/interconnect

3M ELECTRONICS MATERIALS SOLUTIONS DIVISION
 INTERCONNECT SOLUTIONS
<http://www.3M.com/interconnect>

3M IS A TRADEMARK OF 3M COMPANY.
 FOR TECHNICAL, SALES OR ORDERING
 INFORMATION CALL 800-225-5373

DESIGN REFERENCE	NEXT ASSEMBLY	REV	ECO	ISSUE DATE AND DESCRIPTION	DRFT	CHKD
		DRFT	CASTIGLIONE	DATE JUL 13, 2022	DATE JUL 13, 2022	DATE JUL 13, 2022
		CHKD		DATE JUL 13, 2022	DATE JUL 13, 2022	DATE JUL 13, 2022
DIVISION		DIVISION CODE				
emsd		emsd				
DO NOT SCALE DRAWING	SCALE 4 1	TOLERANCES EXCEPT AS NOTED		 3M Center St. Paul, MN 55144 © 3M COPYRIGHT 2022 This document and the information it contains are 3M property and may not be reproduced or further distributed without 3M permission, or used or disclosed other than for 3M authorized purposes. All rights reserved.		
THIRD ANGLE PROJECTION		INCHES		TITLE		
INTERPRET PER ASME Y14.5 - 2018	.0 ± .1 .00 ± .01 .000 ± .005 .0000 ± .0002	MILLIMETERS		MDR CONN, SHIELDED, 050" BMT THRU-HOLE VERT RECEPTACLE		
MAX SURFACE ROUGHNESS	0 ± .0 ± .00 ± .000 ±	CAGE NUMBER		DRAWING NO.		
<input type="checkbox"/> ALL SURFACES <input checked="" type="checkbox"/> MARKED ONLY	ANGLE ±	D78-5100-0427-4		REV. C		
		MODEL 102		DET. [] YES [X] NO SHT 4 OF 4		

78-5100-0427-4
DRAWING NUMBER
REVISION

Looking for pricing, stock, or lifecycle information?

Click below to explore more details on WIN SOURCE:

 [View 10250-6212PC on WIN SOURCE](#)

 [3M Information](#)

Optimize Your Supply Chain with WIN SOURCE Solutions

-  Global Sourcing Solution
-  Obsolete Management
-  Cost Control Management
-  Shortage Management
-  Alternative Solution
-  Excess Inventory Management