







3M™ MINI D RIBBON (MDR) CONNECTORS, 102 SERIES  
 .050" BOARDMOUNT THROUGH-HOLE VERTICAL RECEPTACLE - SHIELDED

NOTES  
 1. RECOMMENDED PC BOARD THICKNESS OF .062".

TABLE 2		
CONTACT QTY.	DIM. "A"	DIM. "B"
20	.450 [ 11.43 ]	1.081 [ 27.45 ]
36	.850 [ 21.59 ]	1.481 [ 37.61 ]
40	.950 [ 24.13 ]	1.581 [ 40.15 ]
68	1.650 [ 41.91 ]	2.281 [ 57.93 ]
80	1.950 [ 49.53 ]	2.581 [ 65.55 ]
100	2.450 [ 62.23 ]	3.081 [ 78.25 ]

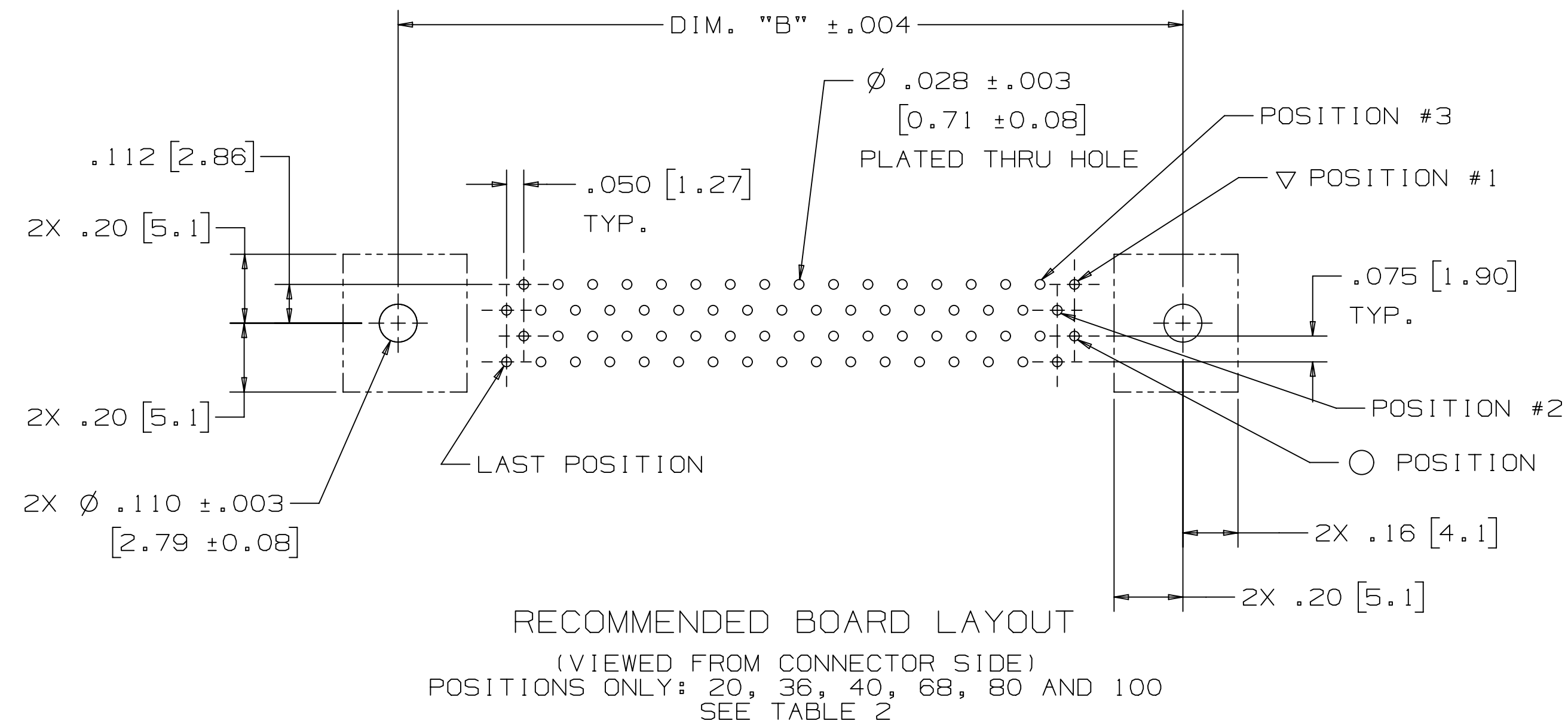


TABLE 3		
CONTACT QTY.	DIM. "A"	DIM. "B"
14	.300 [ 7.62 ]	.931 [ 23.64 ]
26	.600 [ 15.24 ]	1.231 [ 31.26 ]
50	1.200 [ 30.48 ]	1.831 [ 46.50 ]

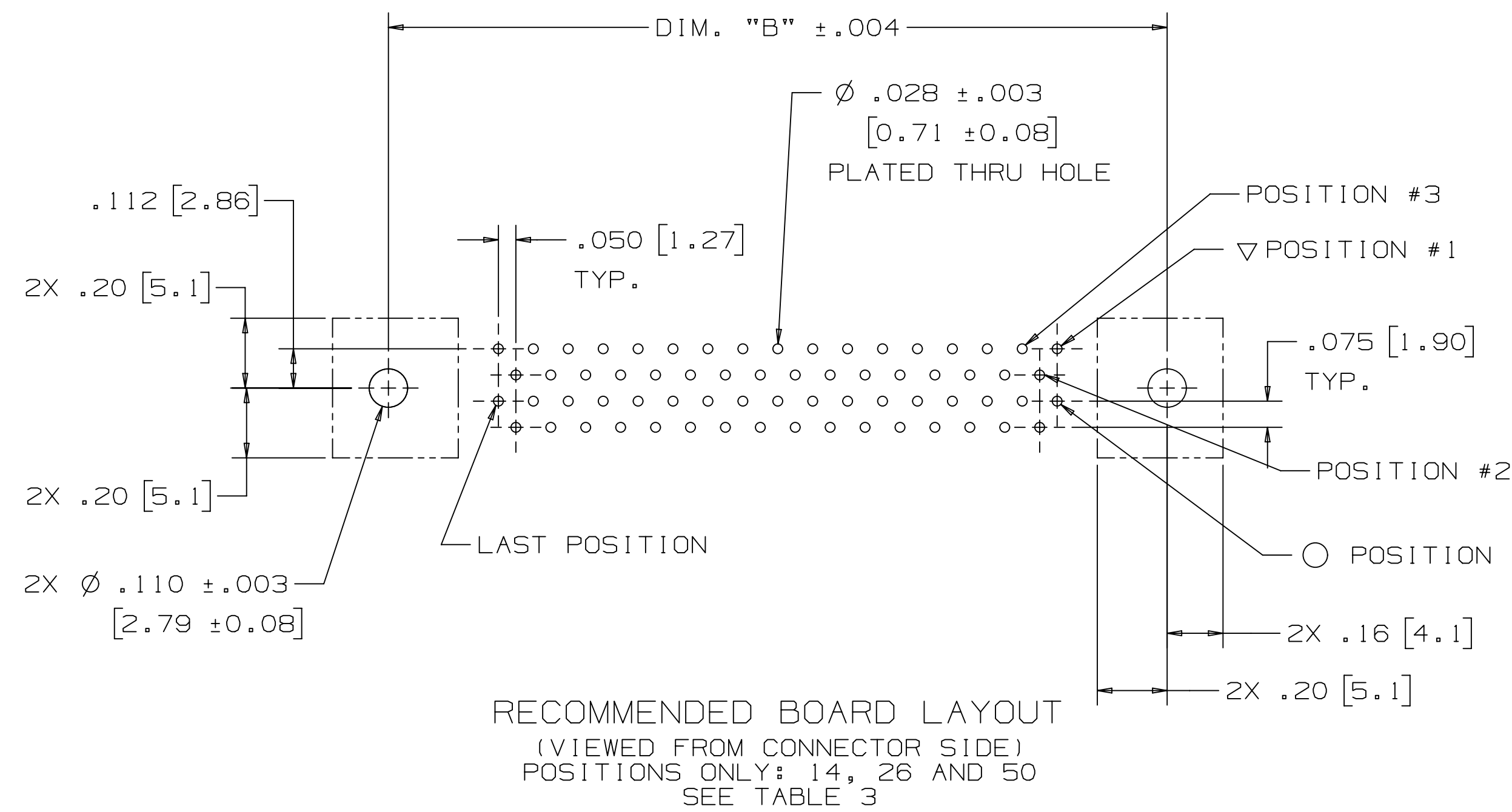
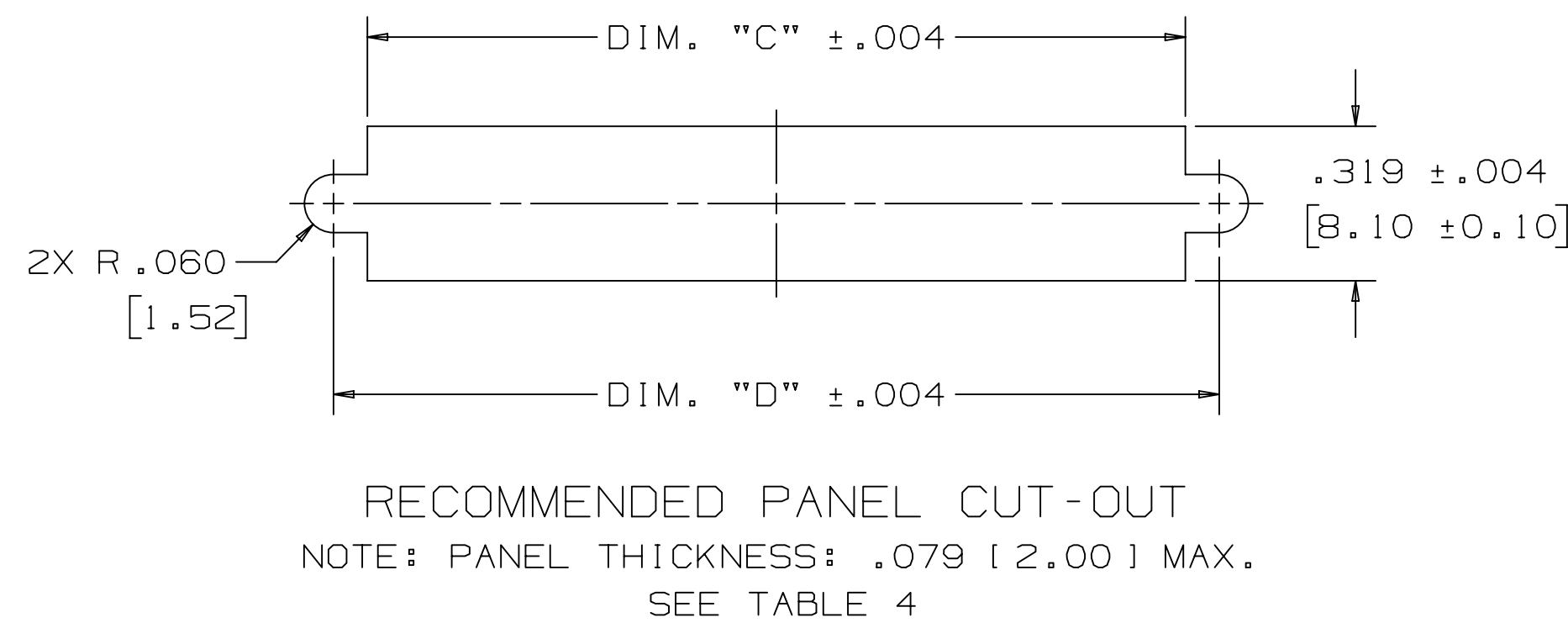


TABLE 4		
CONTACT QTY.	DIM. "C"	DIM. "D"
14	.78 [ 20.0 ]	.93 [ 23.64 ]
20	.94 [ 23.8 ]	1.08 [ 27.45 ]
26	1.09 [ 27.6 ]	1.23 [ 31.26 ]
36	1.33 [ 33.9 ]	1.48 [ 37.61 ]
40	1.44 [ 36.5 ]	1.58 [ 40.15 ]
50	1.69 [ 42.8 ]	1.83 [ 46.50 ]
68	2.13 [ 54.2 ]	2.28 [ 57.93 ]
80	2.44 [ 61.9 ]	2.58 [ 65.55 ]
100	2.94 [ 74.6 ]	3.08 [ 78.25 ]



3M ELECTRONICS MATERIALS SOLUTIONS DIVISION  
 INTERCONNECT SOLUTIONS  
<http://www.3M.com/interconnect>

3M IS A TRADEMARK OF 3M COMPANY.  
 FOR TECHNICAL, SALES OR ORDERING  
 INFORMATION CALL 800-225-5373

DESIGN REFERENCE	NEXT ASSEMBLY	REV	ECO	ISSUE DATE AND DESCRIPTION	DRFT	CHKD
		ECO		JUL 13, 2022		
		ECO		NOV 26, 2022		
		ECO		MAR 05, 2007		
		ECO		PRODUCTION RELEASE		
		ECO		JUL 13, 2022		

DESIGNER	DATE	DRWING NO.	REV.
CASTIGLIONE	JUL 13, 2022	102	C

DESIGNER	DATE	DRWING NO.	REV.
F. RODRIGUEZ	JUL 13, 2022	102	C

DESIGNER	DATE	DRWING NO.	REV.
F. RODRIGUEZ	JUL 13, 2022	102	C

DESIGNER	DATE	DRWING NO.	REV.
F. RODRIGUEZ	JUL 13, 2022	102	C

© 3M COPYRIGHT 2022  
 This document and the information it contains are 3M property and may not be reproduced or further distributed without 3M permission, or used or disclosed other than for 3M authorized purposes. All rights reserved.

3M Center  
 St. Paul,  
 MN 55144

TITLE  
 MDR CONN, SHIELDED,  
 .050" BMT THRU-HOLE  
 VERT RECEPTACLE

CAGE NUMBER  
 D78-5100-0427-4

MODEL  
 102

DET  
 YES  NO

SHT 3 OF 4

3M™ MINI D RIBBON (MDR) CONNECTORS, 102 SERIES  
 .050" BOARDMOUNT THROUGH-HOLE VERTICAL RECEPTACLE - SHIELDED

Regulatory: For regulatory information about this product, visit [3M.com/regs](http://3M.com/regs) or contact your 3M representative.

Technical Information: The technical information, recommendations and other statements contained in this document are based upon tests or experience that 3M believes are reliable, but the accuracy or completeness of such information is not guaranteed.

Product Use: Many factors beyond 3M's control and uniquely within user's control can affect the use and performance of a 3M product in a particular application. Given the variety of factors that can affect the use and performance of a 3M product, user is solely responsible for evaluating the 3M product and determining whether it is fit for a particular purpose and suitable for user's method of application.


Warranty, Limited Remedy, and Disclaimer: Unless an additional warranty is specifically stated on the applicable 3M product packaging or product literature, 3M warrants that each 3M product meets the applicable 3M product specification at the time 3M ships the product. 3M MAKES NO OTHER WARRANTIES OR CONDITIONS, EXPRESS OR IMPLIED, INCLUDING, BUT NOT LIMITED TO, ANY IMPLIED WARRANTY OR CONDITION OF MERCHANTABILITY OR FITNESS FOR A PARTICULAR PURPOSE OR ANY IMPLIED WARRANTY OR CONDITION ARISING OUT OF A COURSE OF DEALING, CUSTOM OR USAGE OR TRADE. If the 3M product does not conform to this warranty, then the sole and exclusive remedy is, at 3M's option, replacement of the 3M product or refund of the purchase price.

Limitation of Liability: Except where prohibited by law, 3M will not be liable for any loss or damage arising from the 3M product, whether direct, indirect, special, incidental or consequential, regardless of the legal theory asserted, including warranty, contract, negligence or strict liability.

3M Company  
 Electronics Materials Solutions Division  
 13011 McCallen Pass, Bldg. C  
 Austin, TX 78753-5380  
 1-800-225-5373  
[www.3M.com/interconnect](http://www.3M.com/interconnect)

3M ELECTRONICS MATERIALS SOLUTIONS DIVISION  
 INTERCONNECT SOLUTIONS  
<http://www.3M.com/interconnect>

3M IS A TRADEMARK OF 3M COMPANY.  
 FOR TECHNICAL, SALES OR ORDERING  
 INFORMATION CALL 800-225-5373

DESIGN REFERENCE	NEXT ASSEMBLY	REV	ECO	ISSUE DATE AND DESCRIPTION	DRFT	CHKD
		DRFT	CASTIGLIONE	DATE JUL 13, 2022	DATE JUL 13, 2022	DATE JUL 13, 2022
		CHKD		DATE JUL 13, 2022	DATE JUL 13, 2022	DATE JUL 13, 2022
DIVISION		DIVISION CODE		 3M Center St. Paul, MN 55144		
DO NOT SCALE DRAWING	SCALE 4 1	TOLERANCES EXCEPT AS NOTED		© 3M COPYRIGHT 2022 This document and the information it contains are 3M property and may not be reproduced or further distributed without 3M permission, or used or disclosed other than for 3M authorized purposes. All rights reserved.		
THIRD ANGLE PROJECTION	INTERPRET PER ASME Y14.5 - 2018	INCHES 0 ± .1 .00 ± .01 .0000 ± .0005 .0000 ± .0002		TITLE MDR CONN, SHIELDED, .050" BMT THRU-HOLE VERT RECEPTACLE		
MAX SURFACE ROUGHNESS	ALL SURFACES	MILLIMETERS 0 ± .0 ± .00 ± .000 ±		CAGE NUMBER D78-5100-0427-4		
<input checked="" type="checkbox"/> MARKED ONLY	ANGLES	MODEL 102		DRAWING NO. 78-5100-0427-4		
		DET 1:1:5 <input type="checkbox"/> YES <input checked="" type="checkbox"/> NO		REV. C		
		SHT 4 OF 4				

78-5100-0427-4  
DRAWING NUMBER

A

## Looking for pricing, stock, or lifecycle information?

Click below to explore more details on WIN SOURCE:

 [View 10220-6212PL on WIN SOURCE](#)

 [3M Information](#)

## Optimize Your Supply Chain with WIN SOURCE Solutions

-  Global Sourcing Solution
-  Obsolete Management
-  Cost Control Management
-  Shortage Management
-  Alternative Solution
-  Excess Inventory Management