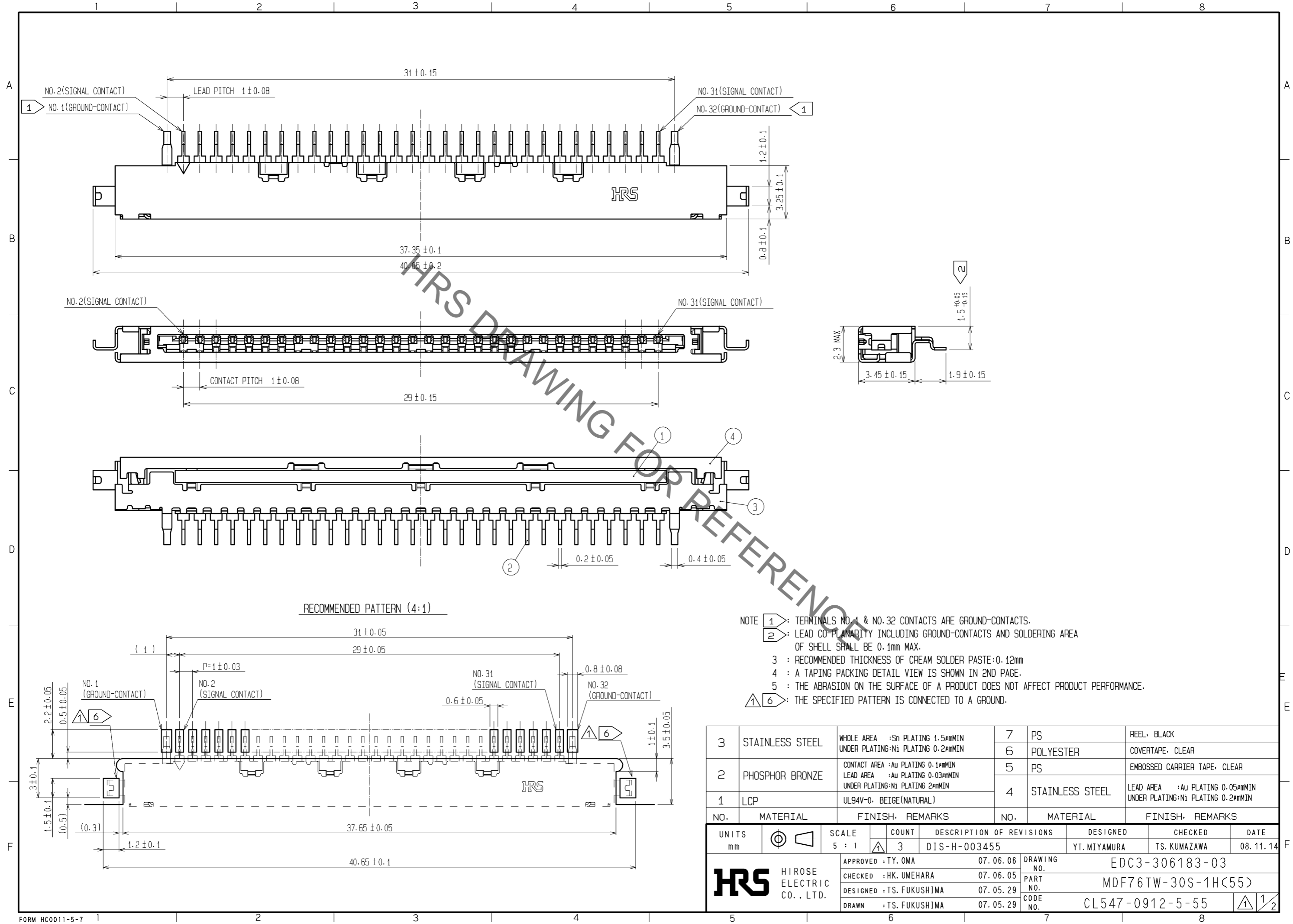




**THE DATASHEET OF  
MDF76TW-30S-1H(55)**



Jan.1.2022 Copyright 2022 HIROSE ELECTRIC CO., LTD. All Rights Reserved.  
In case of consideration for using Automotive equipment / device which demand high reliability, kindly contact our sales window correspondents.



- NOTE
- ①: TERMINALS NO. 1 & NO. 32 CONTACTS ARE GROUND-CONTACTS.
  - ②: LEAD CO-PLANARITY INCLUDING GROUND-CONTACTS AND SOLDERING AREA OF SHELL SHALL BE 0.1mm MAX.
  - ③: RECOMMENDED THICKNESS OF CREAM SOLDER PASTE: 0.12mm
  - ④: A TAPING PACKING DETAIL VIEW IS SHOWN IN 2ND PAGE.
  - ⑤: THE ABRASION ON THE SURFACE OF A PRODUCT DOES NOT AFFECT PRODUCT PERFORMANCE.
  - ⑥: THE SPECIFIED PATTERN IS CONNECTED TO A GROUND.

NO.	MATERIAL	FINISH	REMARKS	NO.	MATERIAL	FINISH	REMARKS
3	STAINLESS STEEL	WHOLE AREA : Sn PLATING 1.5μmMIN UNDER PLATING: Ni PLATING 0.2μmMIN		7	PS		REEL, BLACK
2	PHOSPHOR BRONZE	CONTACT AREA : Au PLATING 0.1μmMIN LEAD AREA : Au PLATING 0.03μmMIN UNDER PLATING: Ni PLATING 2μmMIN		6	POLYESTER		COVERTAPE, CLEAR
1	LCP	UL94V-0, BEIGE(NATURAL)		5	PS		EMBOSSED CARRIER TAPE, CLEAR
				4	STAINLESS STEEL		LEAD AREA : Au PLATING 0.05μmMIN UNDER PLATING: Ni PLATING 0.2μmMIN

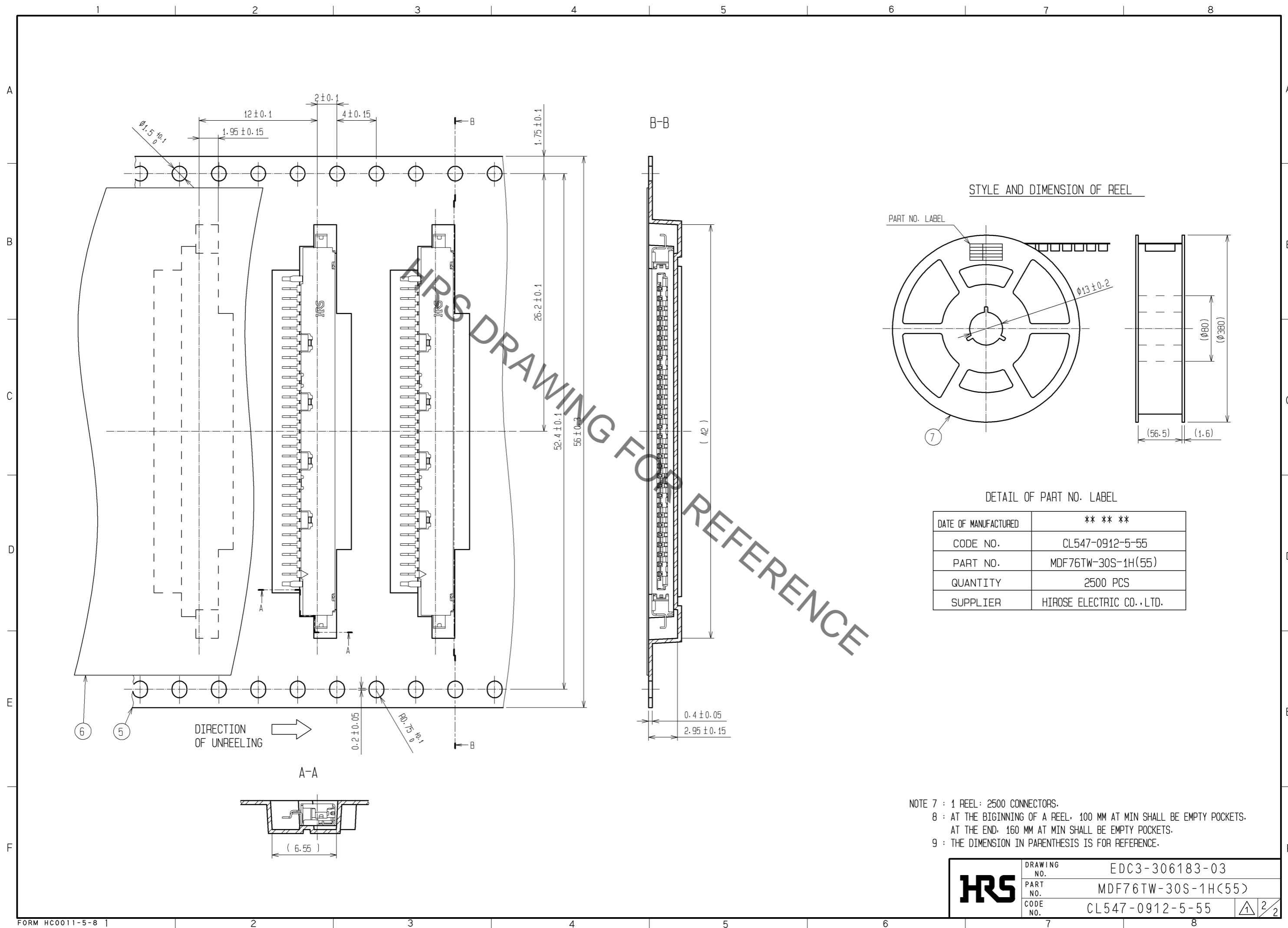
  

UNITS	SCALE	COUNT	DESCRIPTION OF REVISIONS	DESIGNED	CHECKED	DATE
mm	5 : 1	3	DIS-H-003455	YT. MIYAMURA	TS. KUMAZAWA	08. 11. 14

APPROVED	CHECKED	DESIGNED	DRAWN	DATE	DRAWING NO.	PART NO.	CODE NO.
TY. OMA	HK. UMEHARA	TS. FUKUSHIMA	TS. FUKUSHIMA	07. 06. 06	EDC3-306183-03	MDF76TW-30S-1H(55)	CL547-0912-5-55

Jan.1.2022 Copyright 2022 HIROSE ELECTRIC CO., LTD. All Rights Reserved.  
 In case of consideration for using Automotive equipment / device which demand high reliability, kindly contact our sales window correspondents.



STYLE AND DIMENSION OF REEL

DETAIL OF PART NO. LABEL

DATE OF MANUFACTURED	** ** *
CODE NO.	CL547-0912-5-55
PART NO.	MDF76TW-30S-1H(55)
QUANTITY	2500 PCS
SUPPLIER	HIROSE ELECTRIC CO.,LTD.

NOTE 7 : 1 REEL : 2500 CONNECTORS.  
 8 : AT THE BEGINNING OF A REEL, 100 MM AT MIN SHALL BE EMPTY POCKETS.  
 AT THE END, 160 MM AT MIN SHALL BE EMPTY POCKETS.  
 9 : THE DIMENSION IN PARENTHESIS IS FOR REFERENCE.

<b>HRS</b>	DRAWING NO.	EDC3-306183-03
	PART NO.	MDF76TW-30S-1H(55)
	CODE NO.	CL547-0912-5-55
		$\triangle$ 2/2

## Looking for pricing, stock, or lifecycle information?

Click below to explore more details on WIN SOURCE:

- ⊖ [View MDF76TW-30S-1H\(55\) on WIN SOURCE](#)
- ⊖ [Hirose Electric Co Ltd Information](#)

## Optimize Your Supply Chain with WIN SOURCE Solutions

- ✓ Global Sourcing Solution
- ✓ Obsolete Management
- ✓ Cost Control Management
- ✓ Shortage Management
- ✓ Alternative Solution
- ✓ Excess Inventory Management