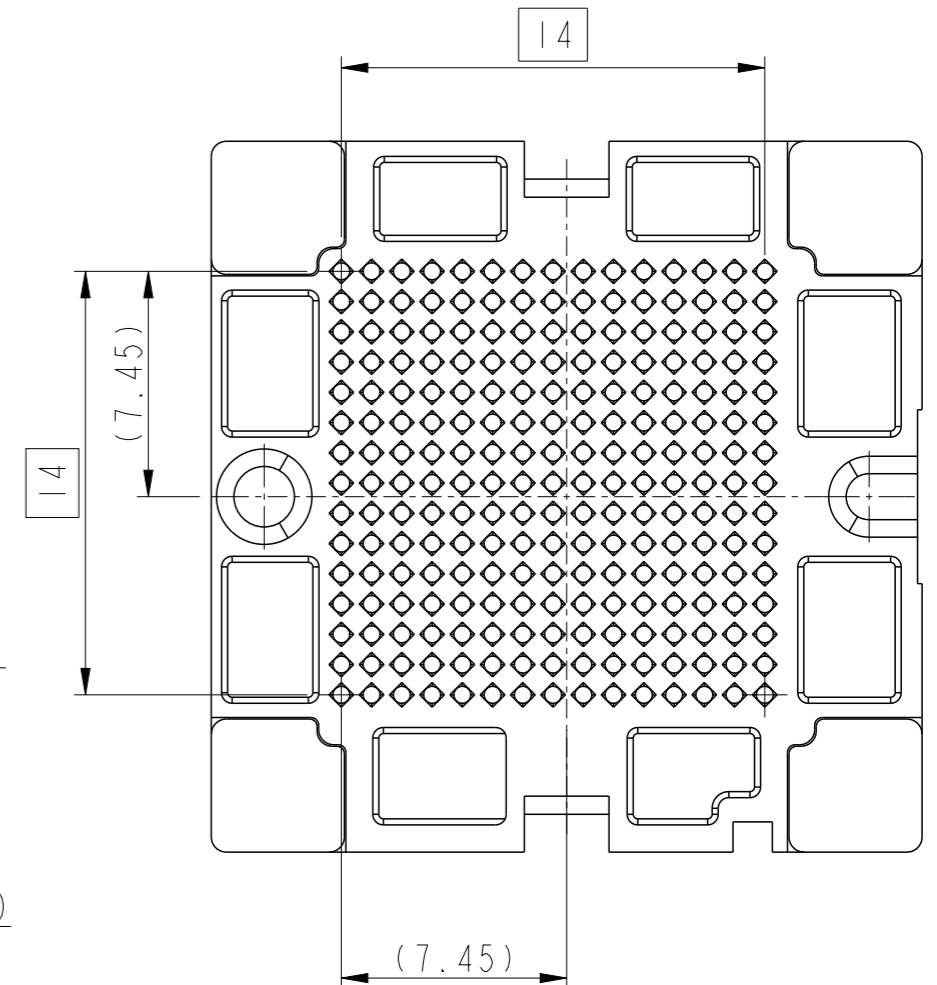
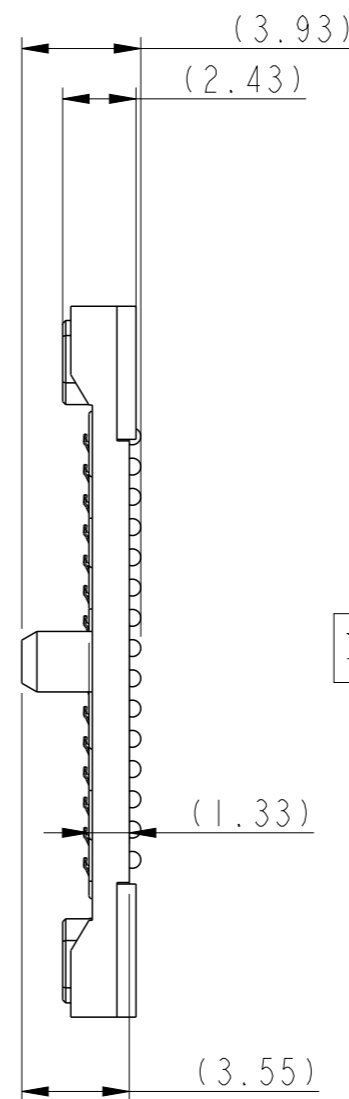
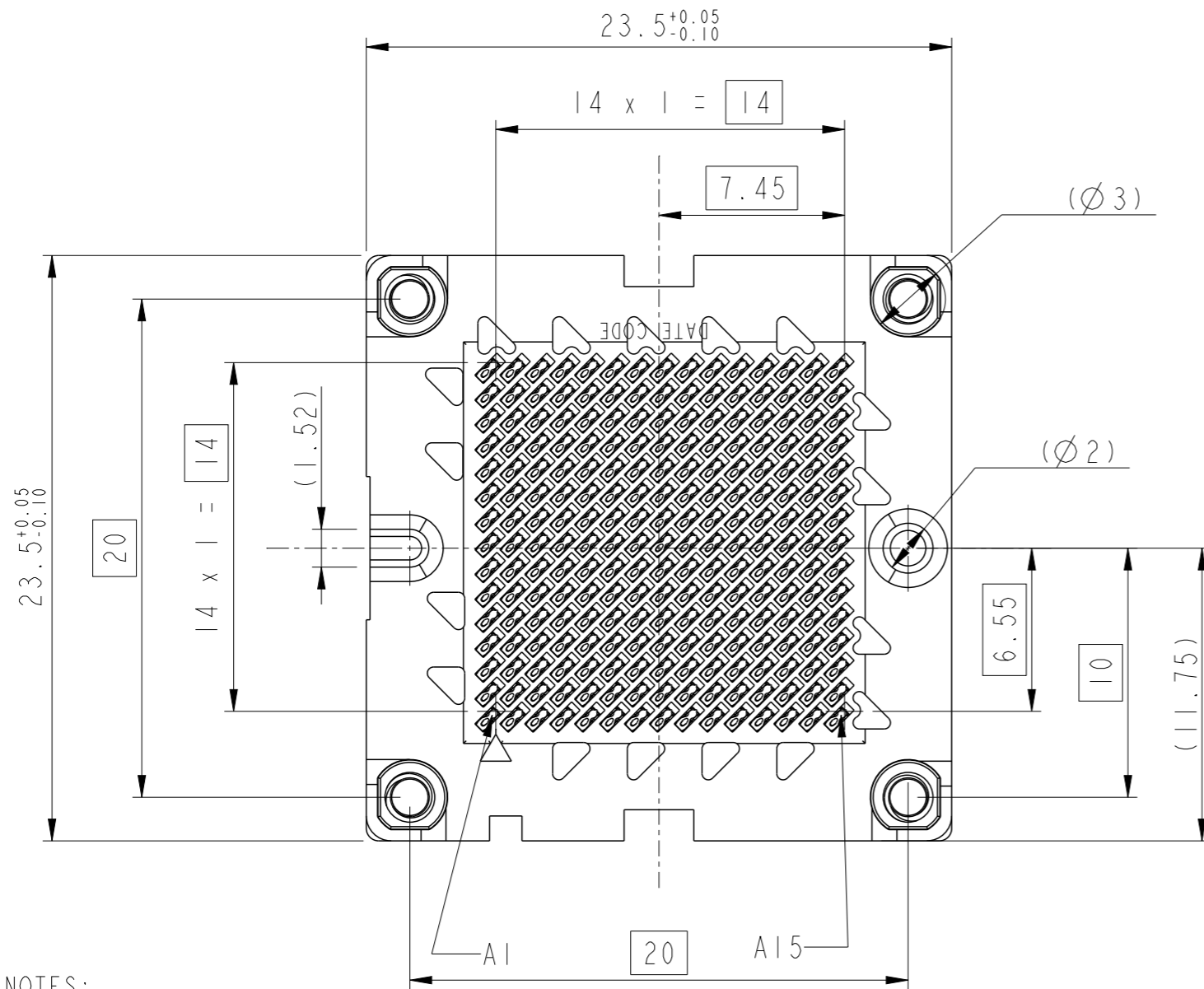


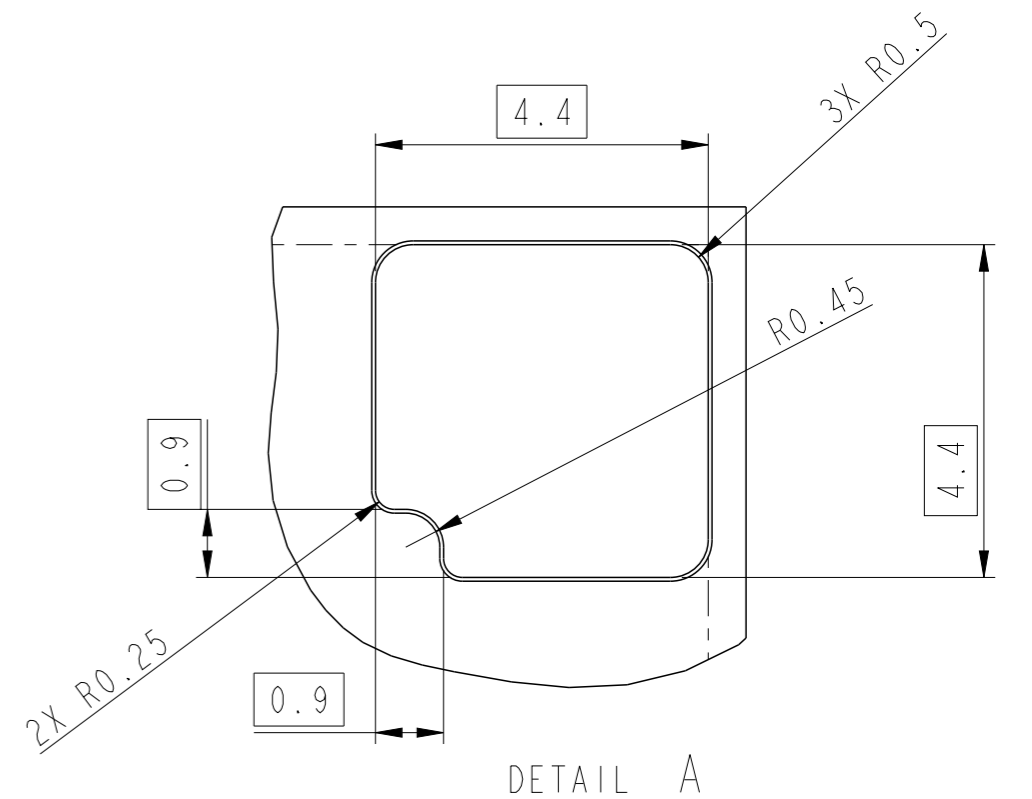
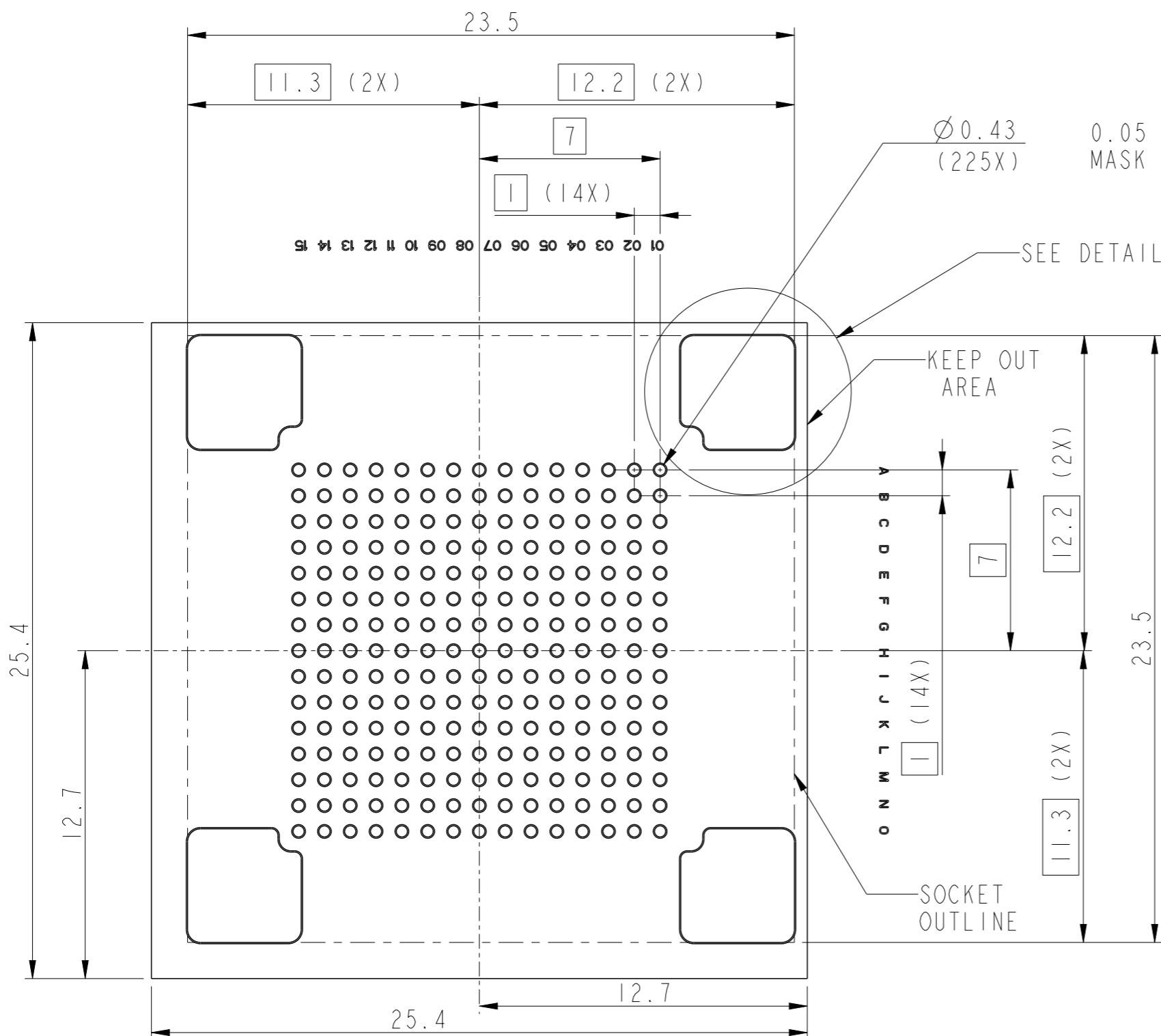
PRODUCT NUMBER	BGA SCREW INSERT	SOLDER BALL	VACUUM CAP	PACKAGING
10140369-101	10127837-101	SnPB	10129256-101	STANDARD TRAY
10140369-101LF	10127837-101	LEAD FREE	10129256-101	STANDARD TRAY
10140369-201LF	10127837-101	LEAD FREE	10129256-101	TAPE AND REEL
10140369-301LF	10127837-102	LEAD FREE	10129256-101	STANDARD TRAY
10140369-401LF	10127837-103	LEAD FREE	10129256-101	STANDARD TRAY



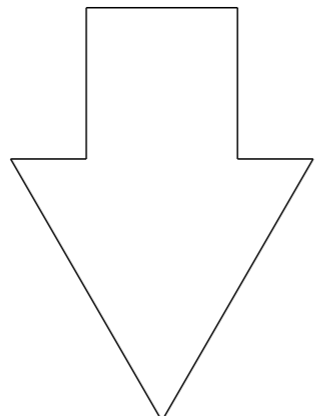
NOTES:

1. SOCKET CONTAINS 15 X 15 CONTACT POSITIONS
2. SPRING FORCE = 0.32N PER CONTACT
3. IN DEFLECTED POSITION, SPRING TIP MUST BE FLUSH WITH HOUSING SURFACE
4. FITS WITH FCI TRANSCEIVER PN:10124588
5. APPLICATION SPEC: GS-20-0470
6. PRODUCT SPEC. GS-12-1293
7. PACKAGING SPEC: GS-14-2460
8. RECOMMENDED TIGHTENING TORQUE
0.073 Nm ± 0.017 Nm

spec ref	-	dr	Streckewald, M	2016/07/08	projection	mm	size	A3	scale	4:1	
tolerance std	ISO 406 ISO 1101	eng	Robert Brown	2021/03/09			ecn no	ELX-V-40289-1			
TOLERANCES UNLESS OTHERWISE SPECIFIED		chr	-	-			rel level	Released			
surface	linear	appr	Matthew Emenhe	2021/03/19	product family	-	dwg no	10140369		rev	F
	angular	Amphenol FCI www.fci.com		cat. no.	-	Product - Customer Drw	sheet 1 of 3				



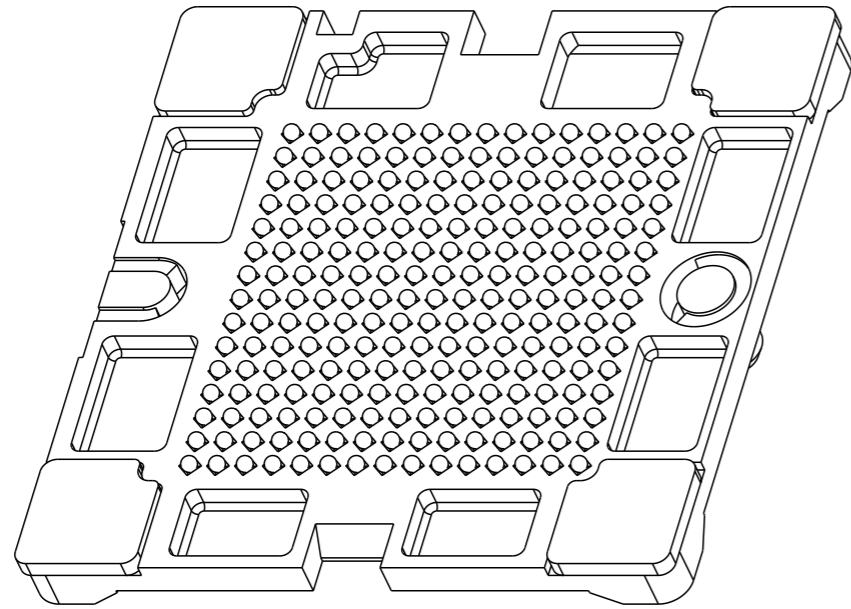
DETAIL A
CENTERLINE TO CENTERLINE SPACING: 25.4mm
SCALE 10:1
(4X)



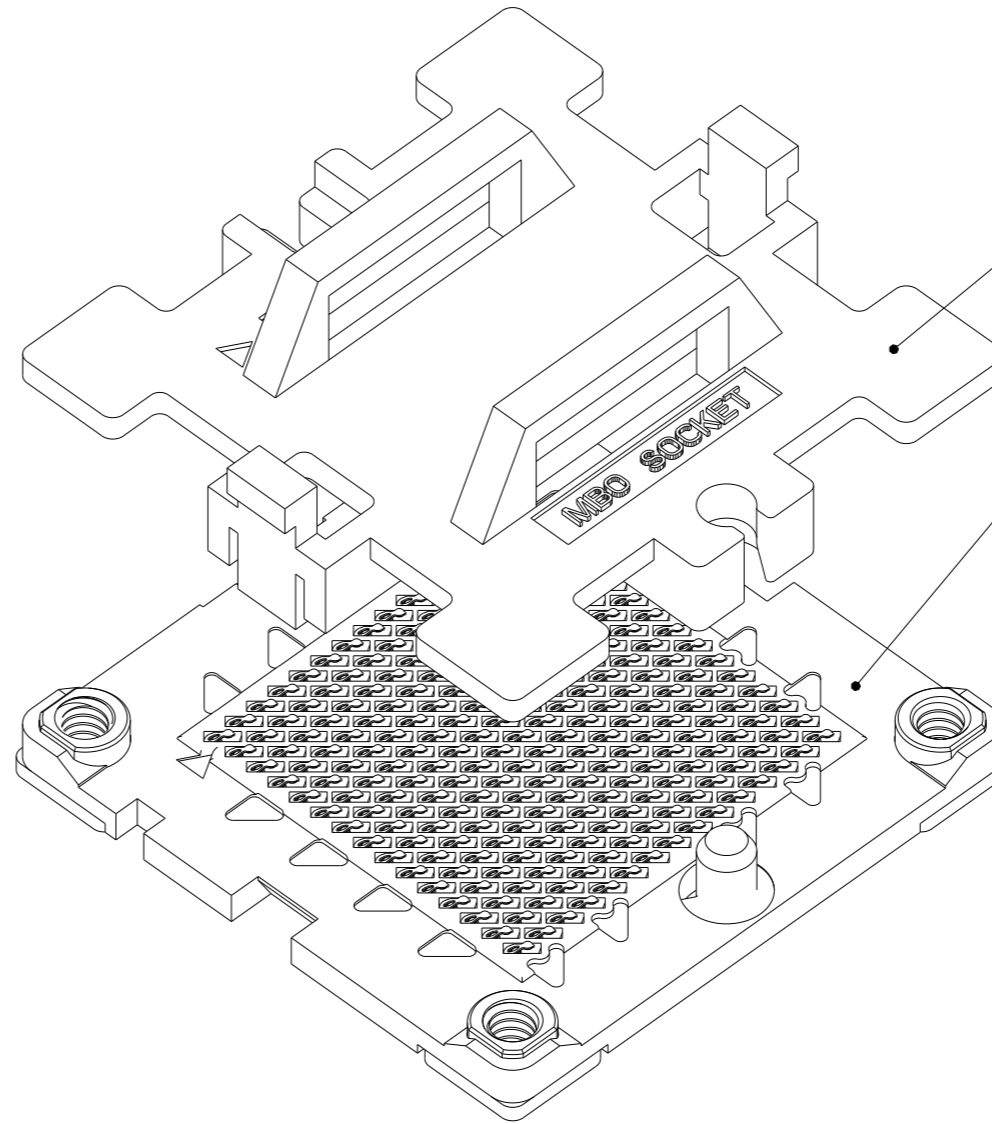
FIBER EXIT

RECOMMENDED PCB FOOTPRINT

spec ref	-	dr	Streckewald, M	2016/07/08	projection	mm	size	A3	scale	5:1
tolerance std	ISO 406 ISO 1101	eng	Robert Brown	2021/03/09			ecn no	ELX-V-40289-1		
TOLERANCES UNLESS OTHERWISE SPECIFIED		chr	-	-			rel level	Released		
surface	linear	0.X	±0.3	Amphenol FCI www.fci.com	title MBO SOCKET ASSEMBLY INTERPOSER REL		dwg no 10140369	rev F		
		0.XX	±0.13							
		0.XXX	±0.05							
	angular	0°	±2°	cat. no.	-	Product - Customer Drw	sheet 2 of 3			



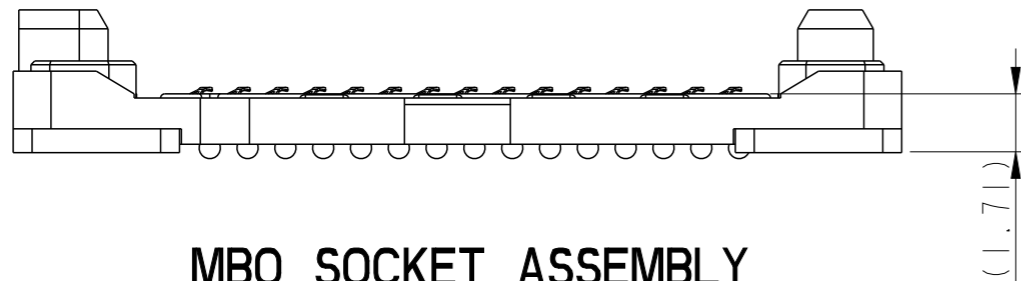
MBO SOCKET ASSEMBLY
WITHOUT PCB AND VACCUM CAP



VACUUM CAP

MBO SOCKET ASSEMBLY

PCB
(SHOWN FOR
REFERENCE)





MBO SOCKET ASSEMBLY
WITHOUT VACCUM CAP ON BOARD

SCALE 5:1

spec ref	-	dr	Streckwald, M	2016/07/08	projection	mm	size	A3	scale	4:1
tolerance std	ISO 406 ISO 1101	eng	Robert Brown	2021/03/09			ecn no	ELX-V-40289-1	rel level	Released
TOLERANCES UNLESS OTHERWISE SPECIFIED		chr	-	-			product family	-	rel level	Released
surface	linear	0.X	±0.3	Amphenol FCI www.fci.com	MBO SOCKET ASSEMBLY		dwg no 10140369	rev		F
		0.XX	±0.13		INTERPOSER REL					
	angular	0°	±2°		cat. no.	-		Product - Customer Drw	sheet 3 of 3	

Looking for pricing, stock, or lifecycle information?

Click below to explore more details on WIN SOURCE:

-  [View 10140369-101LF on WIN SOURCE](#)
-  [Amphenol FCI Information](#)

Optimize Your Supply Chain with WIN SOURCE Solutions

-  Global Sourcing Solution
-  Obsolete Management
-  Cost Control Management
-  Shortage Management
-  Alternative Solution
-  Excess Inventory Management