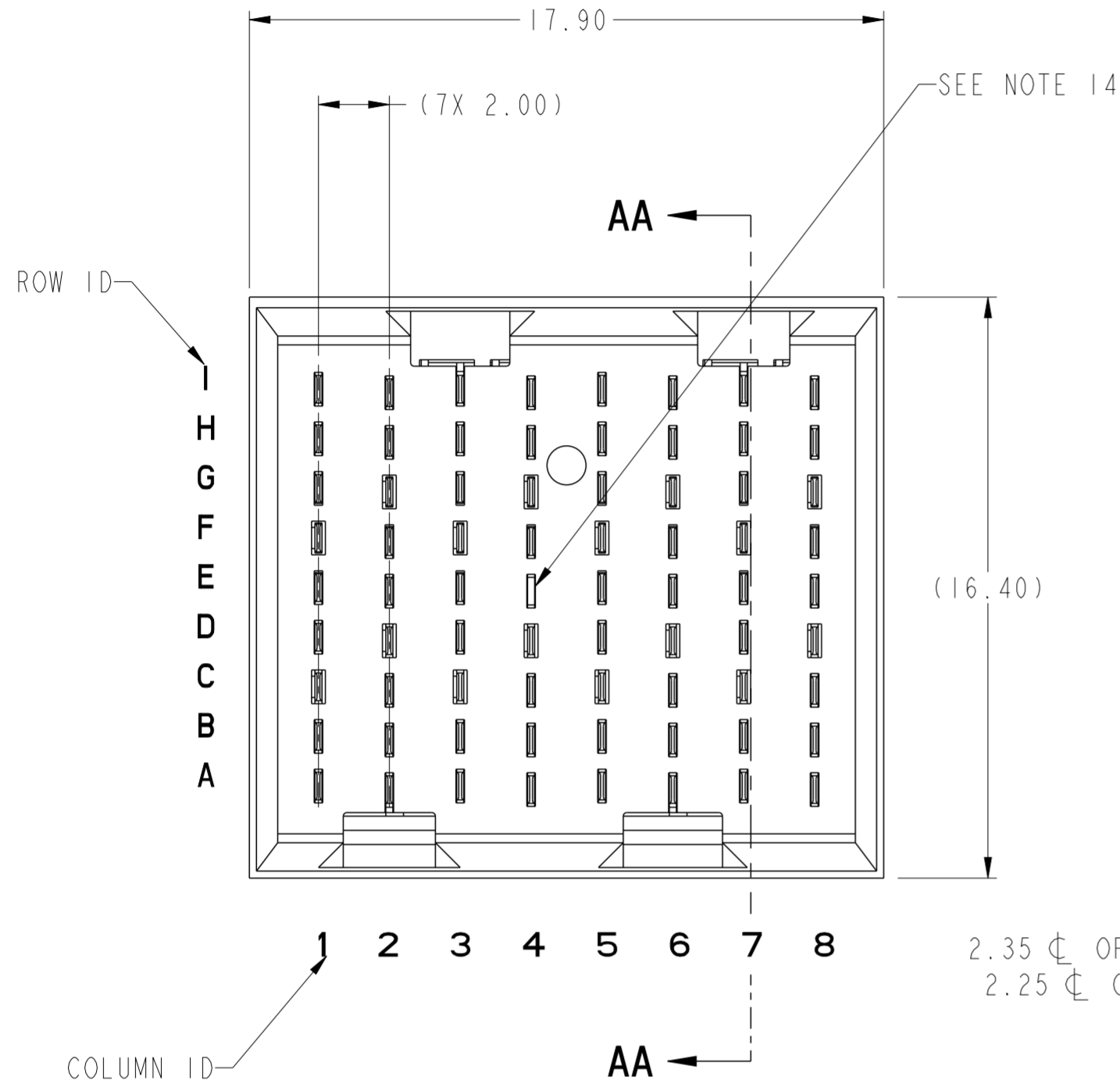
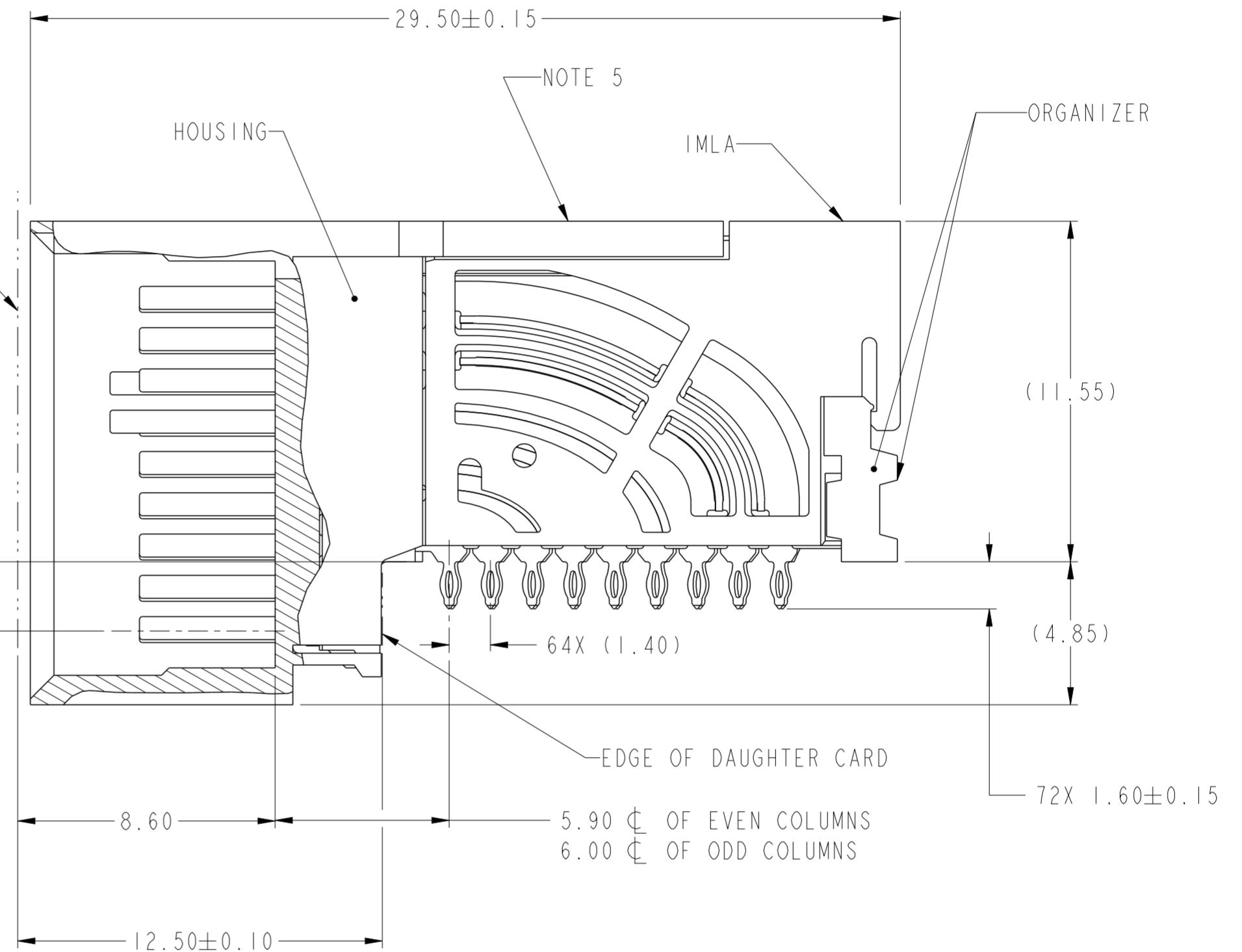


PRODUCT NUMBER  
SEE SHEET 3



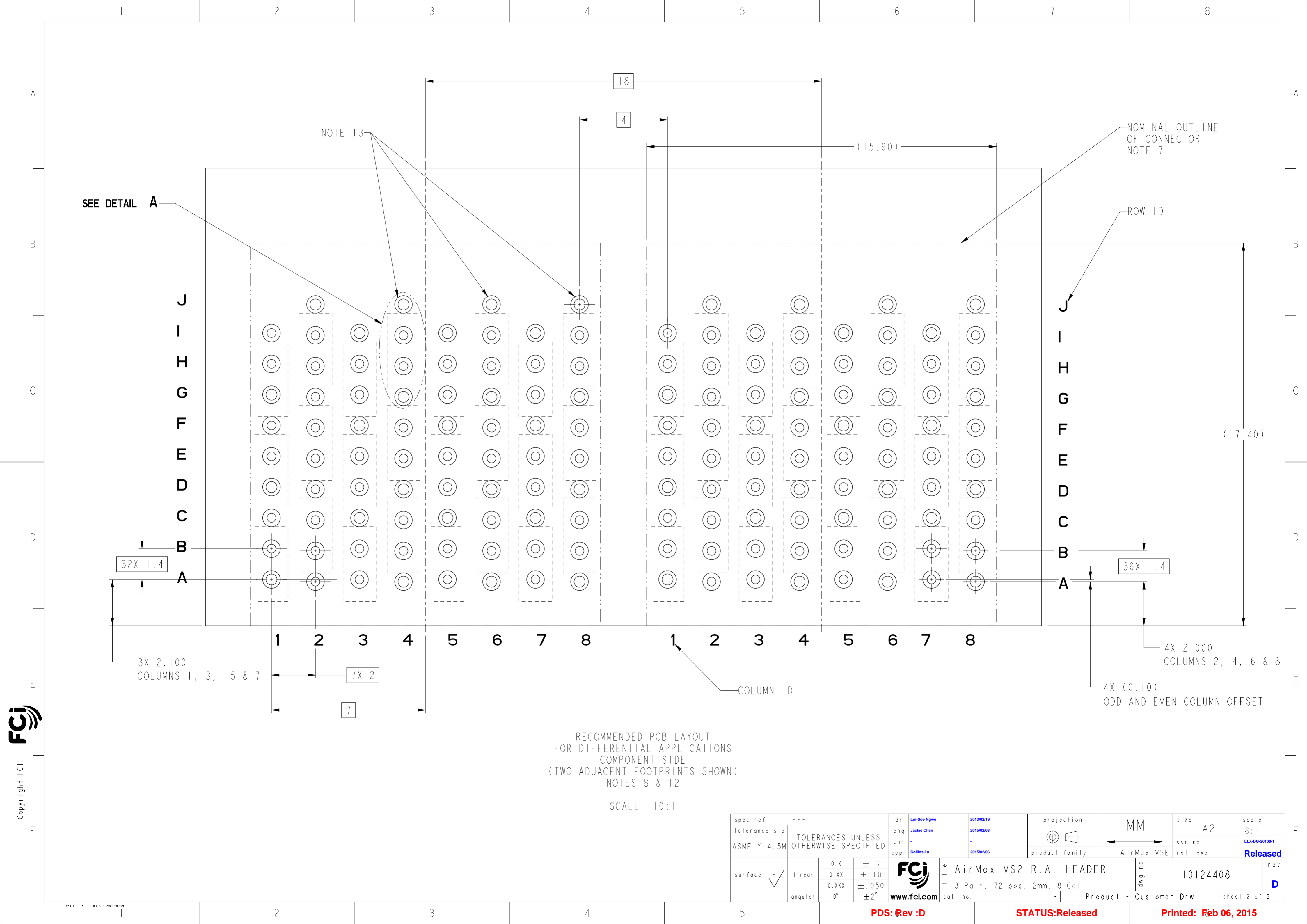
2.35  $\phi$  OF EVEN COLUMNS  
2.25  $\phi$  OF ODD COLUMNS



SECTION AA-AA

Copyright FCI.  
FCI

|                                       |   |          |              |            |            |      |        |                |           |          |            |            |                |            |  |  |  |                           |                 |                        |  |              |
|---------------------------------------|---|----------|--------------|------------|------------|------|--------|----------------|-----------|----------|------------|------------|----------------|------------|--|--|--|---------------------------|-----------------|------------------------|--|--------------|
| spec ref                              | ---   | dr       | Lin-Soe Ngwe | 2013/02/19 | projection | MM   | size   | A2             | scale     | 6:1      |            |            |                |            |  |  |  |                           |                 |                        |  |              |
| tolerance std                         | ASME Y14.5M   | eng      | Jackie Chen  | 2015/02/03 |            |      | ecn no | ELX-DG-20160-1 | rel level | Released |            |            |                |            |  |  |  |                           |                 |                        |  |              |
| TOLERANCES UNLESS OTHERWISE SPECIFIED |   | chr      | -            | app        |            |      |        |                |           |          | Collins Lu | 2015/02/06 | product family | AirMax VSE |  |  |  |                           |                 |                        |  |              |
| surface                               | <table border="1"> <tr> <td>linear</td> <td>0.X</td> <td>±.3</td> </tr> <tr> <td></td> <td>0.XX</td> <td>±.10</td> </tr> <tr> <td></td> <td>0.XXX</td> <td>±.050</td> </tr> <tr> <td>angular</td> <td>0°</td> <td>±2°</td> </tr> </table> | linear   | 0.X          | ±.3        |            | 0.XX | ±.10   |                | 0.XXX     | ±.050    | angular    | 0°         | ±2°            |            |  | <b>title</b><br>AirMax VS2 R.A. HEADER<br>3 Pair, 72 pos, 2mm, 8 Col |  | <b>dwg no</b><br>10124408 | <b>rev</b><br>D | Product - Customer Drw |  | sheet 1 of 3 |
| linear                                | 0.X   | ±.3      |              |            |            |      |        |                |           |          |            |            |                |            |  |  |  |                           |                 |                        |  |              |
|                                       | 0.XX  | ±.10     |              |            |            |      |        |                |           |          |            |            |                |            |  |  |  |                           |                 |                        |  |              |
|                                       | 0.XXX   | ±.050    |              |            |            |      |        |                |           |          |            |            |                |            |  |  |  |                           |                 |                        |  |              |
| angular                               | 0°  | ±2°      |              |            |            |      |        |                |           |          |            |            |                |            |  |  |  |                           |                 |                        |  |              |
| www.fci.com                           |   | cat. no. |              | -          |            | -    |        | -              |           | -        |            |            |                |            |  |  |  |                           |                 |                        |  |              |



NOTE 13

NOMINAL OUTLINE OF CONNECTOR NOTE 7

SEE DETAIL A

ROW ID

(17.40)

32X 1.4

36X 1.4

3X 2.100 COLUMNS 1, 3, 5 & 7

4X 2.000 COLUMNS 2, 4, 6 & 8

7X 2

4X (0.10) ODD AND EVEN COLUMN OFFSET

7

COLUMN ID

RECOMMENDED PCB LAYOUT FOR DIFFERENTIAL APPLICATIONS COMPONENT SIDE (TWO ADJACENT FOOTPRINTS SHOWN) NOTES 8 & 12

SCALE 10:1

Copyright FCI.

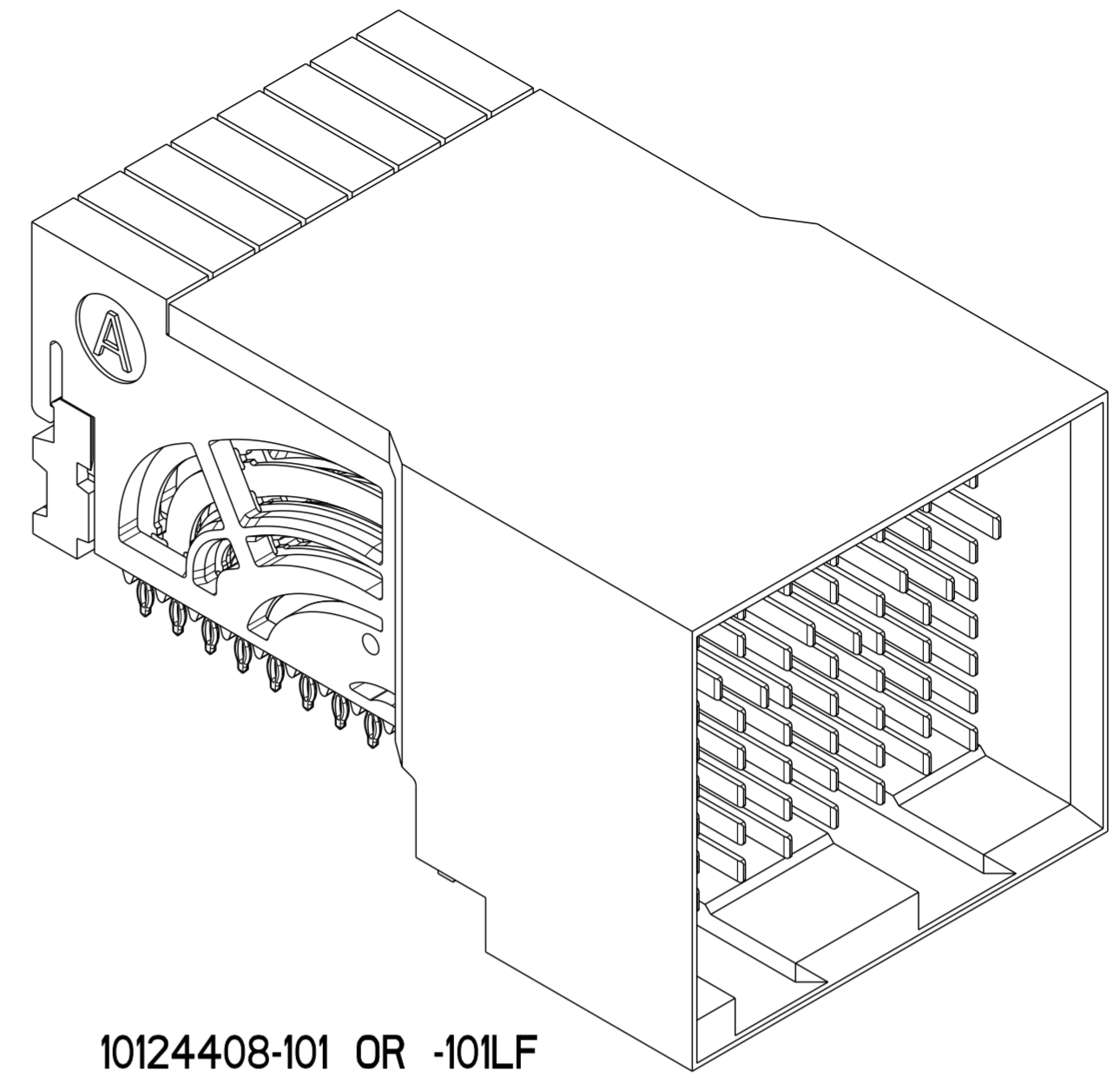
|                                       |             |        |              |            |             |    |          |                |                        |              |            |            |                |                        |
|---------------------------------------|-------------|--------|--------------|------------|-------------|----|----------|----------------|------------------------|--------------|------------|------------|----------------|------------------------|
| spec ref                              | ---         | dr     | Lin-Sze Ngwe | 2013/02/19 | projection  | MM | size     | A2             | scale                  | 8:1          |            |            |                |                        |
| tolerance std                         | ASME Y14.5M | eng    | Jackie Chen  | 2015/02/03 |             |    | ecn no   | ELX-DG-20160-1 | rel level              | Released     |            |            |                |                        |
| TOLERANCES UNLESS OTHERWISE SPECIFIED |             | chr    | -            | app        |             |    |          |                |                        |              | Collins Lu | 2015/02/06 | product family | AirMax VSE             |
| surface                               | ✓           | linear | 0.X          | ±.3        |             |    |          |                |                        |              |            |            | title          | AirMax VS2 R.A. HEADER |
|                                       |             |        | 0.XX         | ±.10       | www.fci.com |    | cat. no. | -              | Product - Customer Drw | sheet 2 of 3 |            |            |                |                        |
|                                       |             |        | 0.XXX        | ±.050      |             |    |          |                |                        |              |            |            |                |                        |
|                                       |             |        | angular      | 0°         | ±2°         |    |          |                |                        |              |            |            |                |                        |

PDS: Rev :D

STATUS:Released

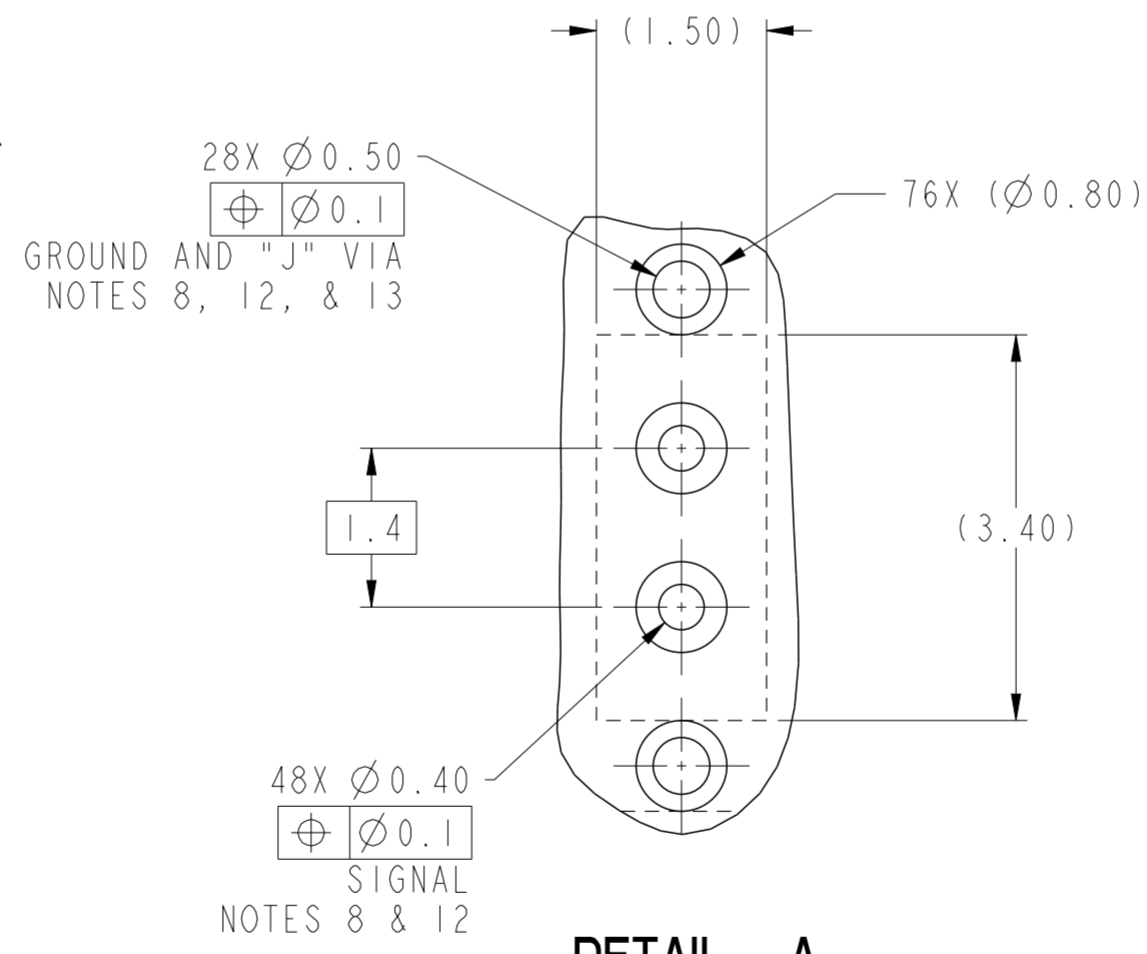
Printed: Feb 06, 2015

| PRODUCT NUMBER | PRESS-FIT TAIL PLATING TYPE | SHORT DETECT CONTACT | REMARKS  |
|----------------|-----------------------------|----------------------|--|
| 10124408-101   | TIN/LEAD ALLOY OVER NICKEL  | NO                   | 1-SIDED PLATING (CUSTOMER SPECIAL) <span style="border: 1px solid black; padding: 2px;">C</span> |
| 10124408-101LF | TIN OVER NICKEL (LEAD FREE) |                      |  |
| 10124408-111   | TIN/LEAD ALLOY OVER NICKEL  | YES (SEE NOTE 14)    | 2-SIDED PLATING  |
| 10124408-111LF | TIN OVER NICKEL (LEAD FREE) |                      |  |
| 10124408-102   | TIN/LEAD ALLOY OVER NICKEL  | NO                   | 2-SIDED PLATING  |
| 10124408-102LF | TIN OVER NICKEL (LEAD FREE) |                      |  |
| 10124408-112   | TIN/LEAD ALLOY OVER NICKEL  | YES (SEE NOTE 14)    | 2-SIDED PLATING  |
| 10124408-112LF | TIN OVER NICKEL (LEAD FREE) |                      |  |



10124408-101 OR -101LF

- ① - CONNECTOR MATERIALS:  
HOUSING: HIGH TEMP THERMOPLASTIC, NATURAL, UL94-V0  
IMLA PLASTIC: HIGH TEMP THERMOPLASTIC, BLACK, UL94-V0  
CONTACT: COPPER ALLOY  
ORGANIZER: HIGH TEMP THERMOPLASTIC, NATURAL, UL94-V0
- 2 - CONTACT PLATING:  
SEPARABLE INTERFACE:  
PERFORMANCE-BASED PLATING, QUALIFIED TO MEET THE REQUIREMENTS OF FCI PRODUCT SPECIFICATION GS-12-XXX INCLUDING TELCORDIA GR-1217-CORE (NOVEMBER 1995) CENTRAL OFFICE TEST SEQUENCE  
  
PRESS-FIT TAILS: SEE TABLE
- 3 - PRODUCT SPECIFICATION: GS-12-0956
- 4 - APPLICATION SPECIFICATION: GS-20-0305
- ⑤ - PRODUCT MARKING, (PROTOTYPE, PART NUMBER & LOT CODE), ON THIS SURFACE.
- ⑥ - POSITIONS "F" OF ODD NUMBERED COLUMNS AND POSITIONS "G" OF EVEN NUMBERED COLUMNS CORRESPOND TO EARLY MATE HEADER PINS.
- ⑦ - CONNECTOR OUTLINE MAY BE SCREEN PRINTED ONTO CUSTOMER PCB TO BE USED AS A GUIDE FOR CONNECTOR PLACEMENT.
- ⑧ - REFER TO CUSTOMER DRAWING 10104444 FOR INFORMATION ON PCB HOLE DIAMETERS AND PLATING OPTIONS
- 9 - LEAD FREE PRODUCT MEETS THE EUROPEAN UNION DIRECTIVES & OTHER COUNTRY REGULATIONS AS DESCRIBED IN GS-22-008
- 10 - A D SYMBOL WILL BE NEXT TO ANY DIMENSION, VIEW, OR NOTE, WHICH HAS BEEN MODIFIED WITH THE CURRENT DRAWING REVISION.
- 11 - PACKAGING MEETS GS-14-920 LEAD FREE LABELING SPECIFICATION.
- ⑫ - GROUND CONTACTS (C, F, & I IN ODD COLUMNS AND A, D, & G IN EVEN COLUMNS) REQUIRE (Ø0.50) FINISHED HOLES. SIGNAL LOCATIONS REQUIRE (Ø0.40) FINISHED HOLES
- ⑬ - THESE OUTER VIAS (J) ARE OPTIONAL. WHILE NO CONNECTOR EONS ARE PRESSED INTO THESE HOLES WE RECOMMEND (Ø0.500) FINISHED HOLES AT THESE LOCATIONS TO PROVIDE GROUND SYMMETRY THROUGH THE PCB.
- 14. MATING PIN E4 HAS 0.5mm LESS NOMINAL WIPE THAN THE SHORTEST PIN.



DETAIL A  
SCALE 15:1

Copyright FCI. FCI

|               |                                     |         |              |            |                |  |          |                        |           |              |
|---------------|-------------------------------------|---------|--------------|------------|----------------|--|----------|------------------------|-----------|--------------|
| spec ref      | ---                                 | dr      | Lin-Soe Ngwe | 2013/02/19 | projection     | MM   | size     | A2                     | scale     | 5:1          |
| tolerance std | ASME Y14.5M                         | eng     | Jackie Chen  | 2015/02/03 | chr            | -  | ecn no   | ELX-DG-20160-1         | rel level | Released     |
| surface       | ✓                                   | appr    | Collins Lu   | 2015/02/06 | product family | AirMax VSE   | cat. no. | 10124408               | rev       | D            |
| linear        | 0.X ±.3<br>0.XX ±.10<br>0.XXX ±.050 | angular | 0° ±2°       | title      |                | AirMax VS2 R.A. HEADER<br>3 Pair, 72 pos, 2mm, 8 Col |          | Product - Customer Drw |           | sheet 3 of 3 |

Looking for pricing, stock, or lifecycle information?

Click below to explore more details on WIN SOURCE:

[View 10124408-101LF on WIN SOURCE](#)

[Amphenol FCI Information](#)

### Optimize Your Supply Chain with WIN SOURCE Solutions

- ✓ Global Sourcing Solution
- ✓ Obsolete Management
- ✓ Cost Control Management
- ✓ Shortage Management
- ✓ Alternative Solution
- ✓ Excess Inventory Management