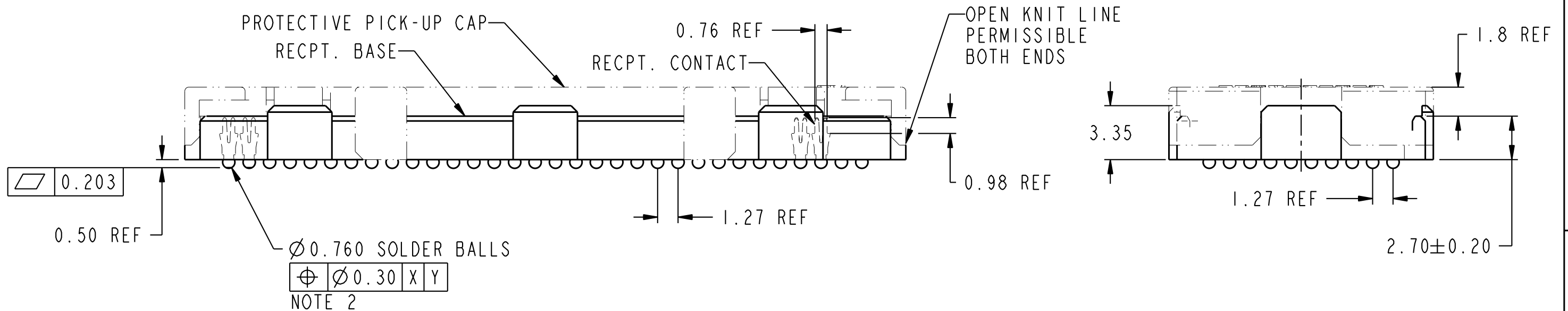
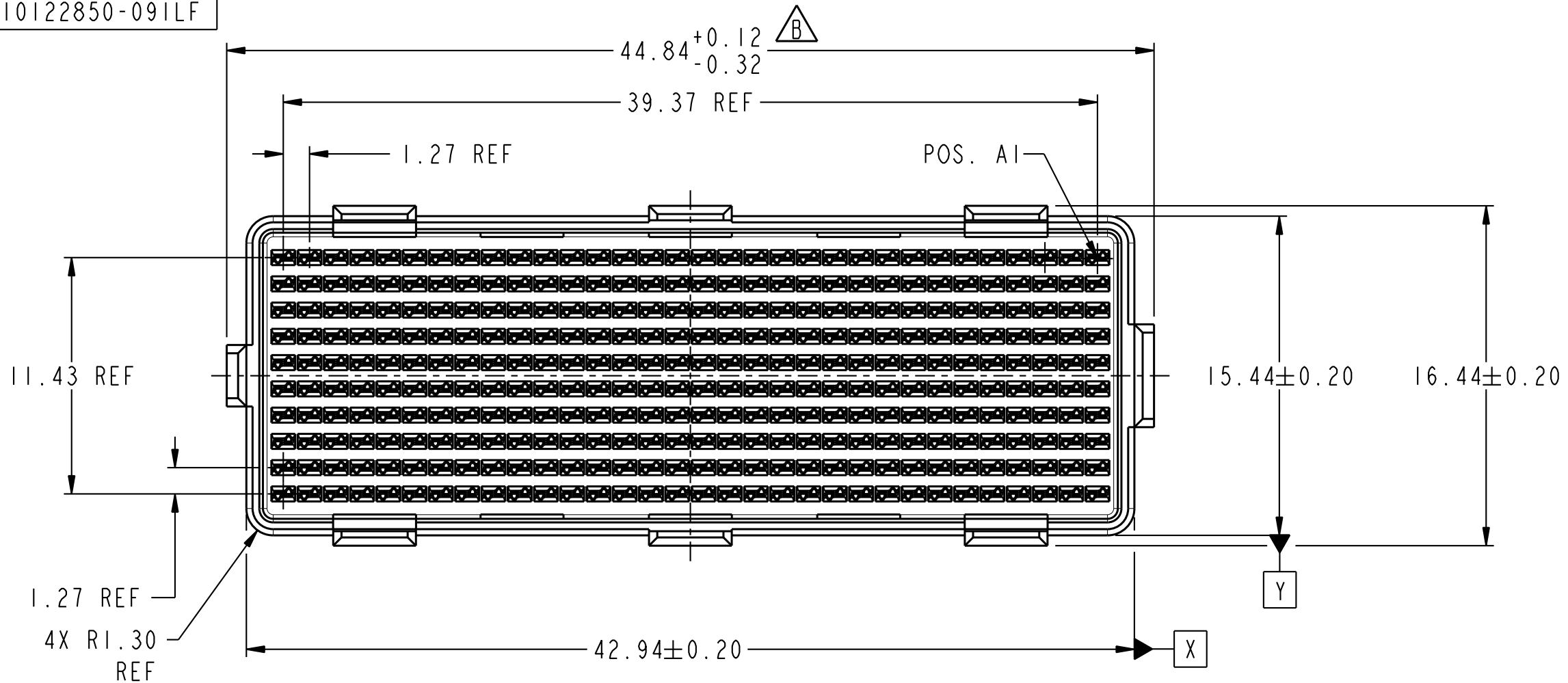




THE DATASHEET OF
10122850-091LF



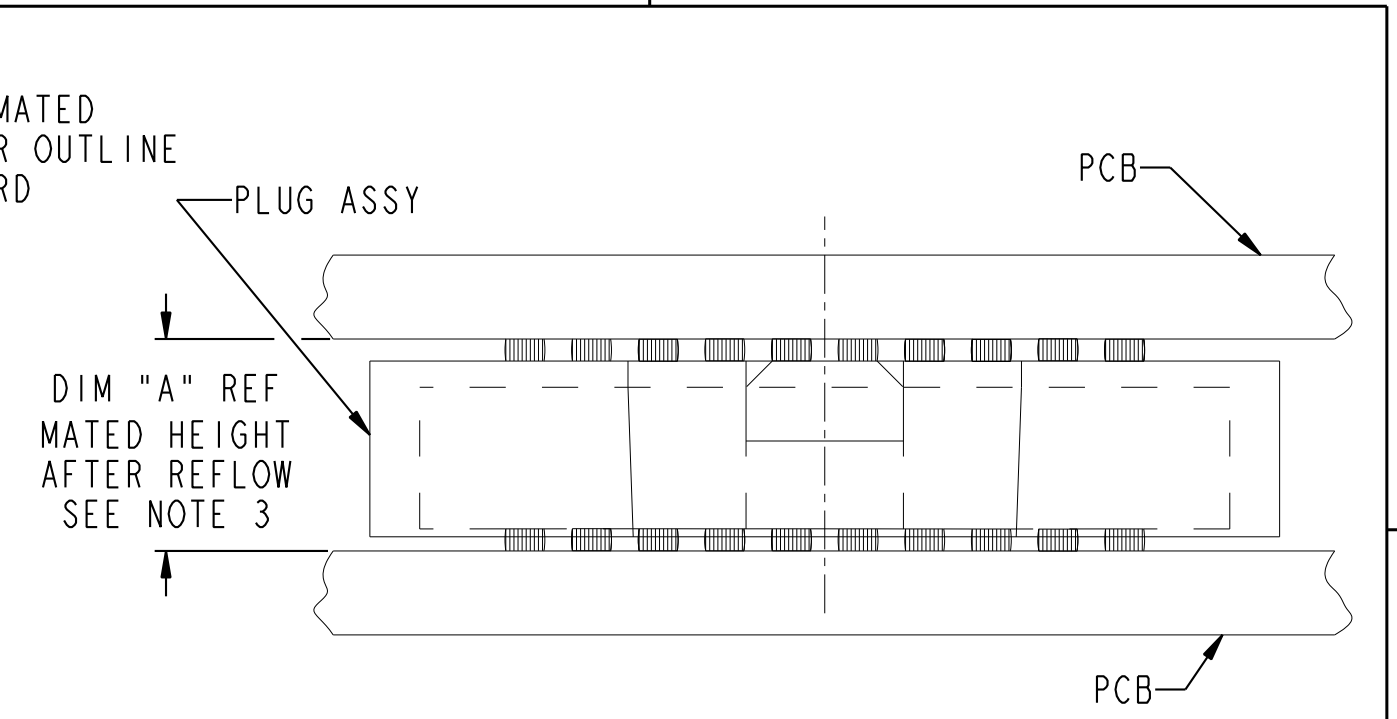
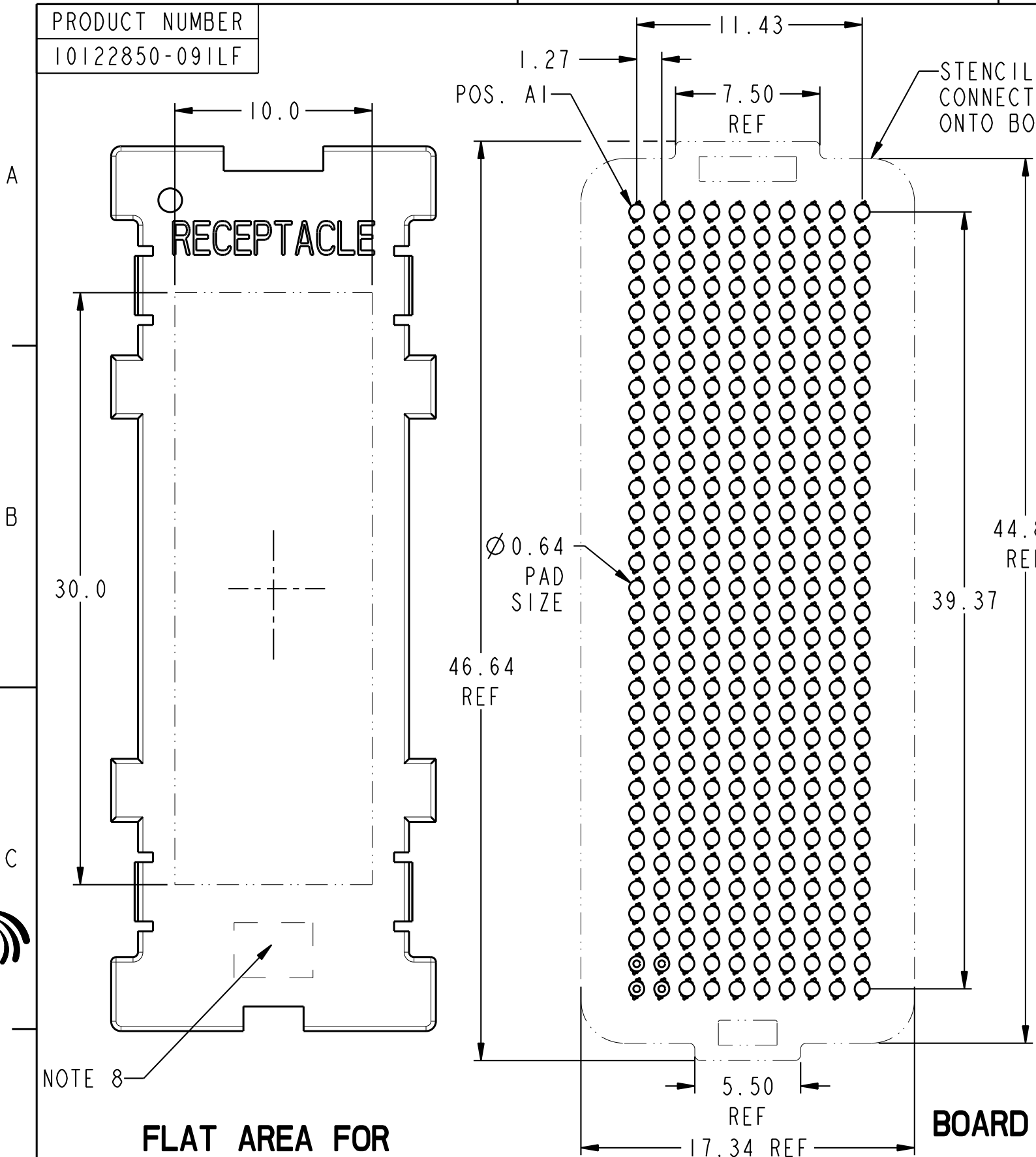
PRODUCT NUMBER
10122850-09ILF



Copyright FCI.

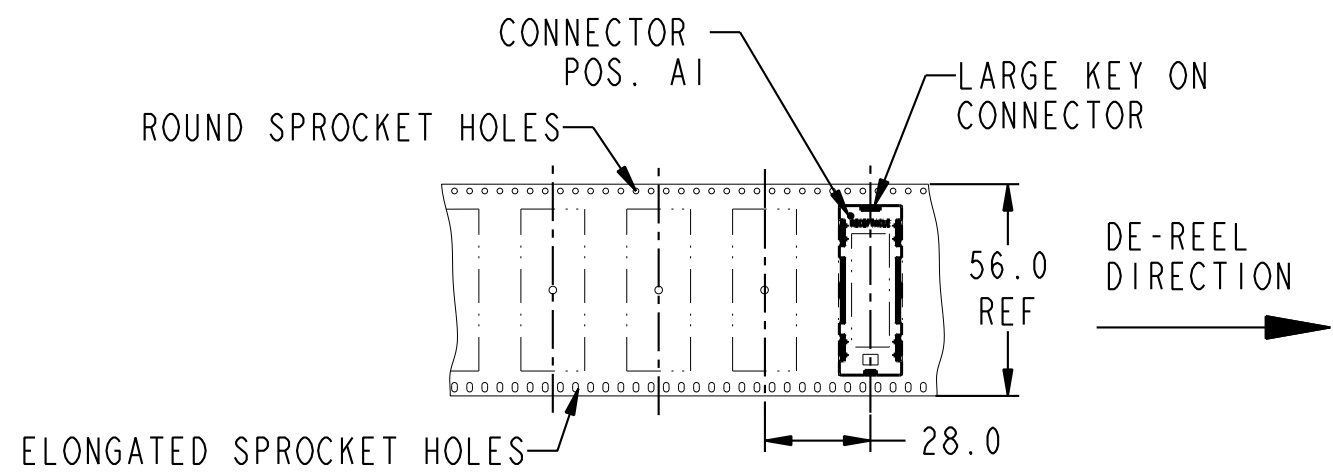
spec ref	-	dr	S Jaganathan	2012/09/27	projection	mm	size	A3	scale	1:1
tolerance std	ASME Y14.5	eng	Robert Brown	2015/01/05			ecn no	ELX-V-19870-1	rel level	Released
TOLERANCES UNLESS OTHERWISE SPECIFIED		chr	-	product family						
surface	3.2	appr	R Marshall	2015/01/05			title 4mm RECEPTACLE ASSY (BLACK) 10 X 32 = 320 POS.		dwg no 10122850	rev D
ASME Y14.5	angular	0°	±2°	www.fci.com	cat. no.	-	Product - Customer Drw		sheet 1 of 3	

PRODUCT NUMBER
10122850-091LF



MATED HEIGHT AFTER REFLOW IS BASED ON \varnothing 0.64mm PAD (METAL-DEFINED) AND 0.13mm SOLDER PASTE STENCIL THICKNESS. SEE NOTE 3

END VIEW - MATED CONNECTORS
SCALE NONE



TAPE & REEL PACKAGING
PER EIA 481-3
SCALE NONE

BOARD PATTERN

NOTE 8
FLAT AREA FOR PICK-UP CAP

MATED HEIGHT TABLE		
DIM "A"	PLUG ASSY. P/N	RECPT. ASSY. P/N
4.0	10122849	10122850

spec ref	-	dr	S Jaganathan	2012/09/27	projection	mm	size	A3	scale	1:1
tolerance std	ASME Y14.5	eng	Robert Brown	2015/01/05			ecn no	ELX-V-19870-1	rel level	Released
TOLERANCES UNLESS OTHERWISE SPECIFIED		chr	-	product family						
surface	3.2	appr	R Marshall	2015/01/05			4mm RECEPTACLE ASSY (BLACK) 10 X 32 = 320 POS.		dwg no 10122850	rev D
ASME Y14.5	angular	0°	±2°	www.fci.com	cat. no.	-	Product - Customer Drw		sheet 2 of 3	

Copyright FCI. FCI

PRODUCT NUMBER
10122850-091LF

NOTES:

- ① MATERIAL:
HOUSING: LCP-BLACK.
CONTACT: COPPER ALLOY

- PLATING:
CONTACT: 15 μ " (0.38 μ m) GXT OVER Ni UNDERPLATE
(GOLD SUBSTITUTION PERMISSABLE)
SOLDER BALL: LEAD FREE 95.5Sn/4Ag/0.5Cu

- ② SOLDER BALLS WILL NOT HAVE PERFECT SPHERICAL SHAPES DUE TO REFLOW ATTACHMENT.

- ③ MATED HEIGHT WHEN MATED WITH 10122849-002LF WILL BE APPROXIMATELY 4mm. MATED HEIGHT WILL BE EFFECTED BY CUSTOMER'S PCB DESIGN AND REFLOW PROCESS.

- ④ FOR PROPER APPLICATION FOLLOW FCI APPLICATION SPECIFICATION GS-20-033 LEAD FREE SOLDER BALLS WILL NOT SOLDER PROPERLY IN A LEADED SOLDER PROCESS DUE TO A HIGHER REFLOW TEMPERATURE. LEAD FREE PRODUCT IS THEREFORE NOT BACKWARDS COMPATIBLE WITH LEADED OR SOME SOLDERING APPLICATIONS. REFERENCE FCI APPLICATION SPECIFICATION.

- ⑤ THIS PRODUCT MEETS EUROPEAN UNION DIRECTIVES AND OTHER COUNTRY REGULATIONS AS DESCRIBED IN GS-47-0004 PRODUCT MEETING THIS DIRECTIVE IS IDENTIFIED IN THE LOT CODE NUMBER MARKED ON EACH PART BY HAVING AN "X" IN THE SEVENTH CHARACTER POSITION.

- ⑥ CURRENT COMPANY LOGO TO BE VISIBLE IN APPROXIMATE AREA SHOWN.

spec ref -		dr	S Jaganathan	2012/09/27	projection	mm	size	A3	scale	1:1
tolerance std	TOLERANCES UNLESS OTHERWISE SPECIFIED	eng	Robert Brown	2015/01/05			ecn no		ELX-V-19870-1	
ASME Y14.5		chr	-	-			rel level		Released	
surface $\sqrt{3.2}$		linear	appr	R Marshall	2015/01/05	product family	MEG-ARRAY			
ASME Y14.5	angular	www.fci.com		cat. no.	-		Product - Customer Drw		sheet 3 of 3	
						title	4mm RECEPTACLE ASSY (BLACK)		dwg no	10122850
									rev	D



Copyright FCI.

Looking for pricing, stock, or lifecycle information?

Click below to explore more details on WIN SOURCE:

 [View 10122850-091LF on WIN SOURCE](#)

 [Amphenol FCI Information](#)

Optimize Your Supply Chain with WIN SOURCE Solutions

-  Global Sourcing Solution
-  Obsolete Management
-  Cost Control Management
-  Shortage Management
-  Alternative Solution
-  Excess Inventory Management