



**THE DATASHEET OF
LPWI252010H1R0T**



LPWI Series



Description

The Littelfuse LPWI Series offers compact and low profile dimensions, low losses and high efficiency inductor for power supply circuits based thin film photolithography technology.

The metal alloy composite thin film power inductor enables high durability, reliability, quality, excellent temperature saturated characteristics, highly crafted miniaturization, and low-height profiles.

Applications

- DC-DC converters and power modules in general use electronic equipment
- Mobile phone and Tablet
- Portable/wearable devices
- Game console, POS, VR, Dongle, and IoT module
- Consumer products like PDP, LCD TV, DVD player, PC, Audio player, DSC, STB, Laptop, SSD, and Home automation
- Powerbanks and printers

Features

- Thin film photolithography technology for compact and low profile
- The metal alloy composite for high reliability
- Large current type
- High efficiency and Isat ratings: Δ Temp value up to 95%
- DC resistance as low as 17mOhm typ.
- Magnetically shielded

Benefits

- 1608mm dimension offers space saving on PCBs
- Low DCR offers power supply circuit efficiency

Electrical Characteristics

Part Number	Size (mm)	Size (Inch)	Thickness (mm)	Inductance@ 1MHz [uH]	DC Resistance [mΩ]		Rated DC Current (A)			
					Typ.	Max.	Isat, ΔL/L=30%		Itemp, ΔT=40°C	
							Typ.	Max.	Typ.	Max.
LPWI160808SR24T	1608	0603	0.8	0.24 ± 20%	30	40	3.2	2.8	3.2	2.8
LPWI160808SR47T	1608	0603	0.8	0.47 ± 20%	35	50	2.8	2.5	3.0	2.7
LPWI160808HR47T	1608	0603	0.8	0.47 ± 20%	37	45	3.4	3.1	3.2	2.9
LPWI160808S1R0T	1608	0603	0.8	1.00 ± 20%	130	150	2.0	1.7	2.0	1.7
LPWI160808H1R0T	1608	0603	0.8	1.00 ± 20%	115	135	2.2	2.0	2.0	1.7
LPWI201208SR24T	2012	0805	0.8	0.24 ± 20%	17	22	4.8	4.5	4.1	3.9
LPWI201208SR47T	2012	0805	0.8	0.47 ± 20%	30	35	4.2	4.0	4.0	3.8
LPWI201208HR47T	2012	0805	0.8	0.47 ± 20%	30	35	5.0	4.7	4.0	3.8
LPWI201208SR68T	2012	0805	0.8	0.68 ± 20%	58	65	3.4	3.1	2.8	2.5
LPWI201208S1R0T	2012	0805	0.8	1.00 ± 20%	60	65	3.4	3.1	3.0	2.7
LPWI201208S1R5T	2012	0805	0.8	1.50 ± 20%	110	120	2.3	2.0	2.1	1.9
LPWI201210SR47T	2012	0805	1.0	0.47 ± 20%	25	33	4.7	4.5	4.2	4.0
LPWI201210HR47T	2012	0805	1.0	0.47 ± 20%	25	28	5.4	4.9	4.5	4.3
LPWI201210S1R0T	2012	0805	1.0	1.00 ± 20%	50	60	3.5	3.2	3.0	2.7
LPWI201608NR24T	2016	0806	0.8	0.24 ± 20%	20	25	5.0	4.6	4.2	3.8
LPWI201608HR47T	2016	0806	0.8	0.47 ± 20%	21	27	5.0	4.7	4.1	4.0
LPWI201608H1R0T	2016	0806	0.8	1.00 ± 20%	45	50	3.9	3.6	3.5	3.2
LPWI201608S1R0T	2016	0806	0.8	1.00 ± 20%	50	65	3.3	2.9	3.0	2.6
LPWI201608N1R5T	2016	0806	0.8	1.50 ± 20%	90	120	2.9	2.3	2.1	1.9
LPWI201608S2R2T	2016	0806	0.8	2.20 ± 20%	130	150	2.0	1.6	1.9	1.5
LPWI201610SR47T	2016	0806	1.0	0.47 ± 20%	32	40	4.5	4.0	3.8	3.5
LPWI201610HR47T	2016	0806	1.0	0.47 ± 20%	20	25	5.3	4.8	4.2	3.6
LPWI201610BR47T	2016	0806	1.0	0.47 ± 20%	21	27	6.0	5.7	5.2	4.8
LPWI201610SR68T	2016	0806	1.0	0.68 ± 20%	40	50	4.1	3.7	3.5	3.1
LPWI201610S1R0T	2016	0806	1.0	1.00 ± 20%	50	65	3.5	3.1	3.1	2.8
LPWI201610H1R0T	2016	0806	1.0	1.00 ± 20%	40	45	3.9	3.6	3.1	2.7
LPWI201610B1R0T	2016	0806	1.0	1.00 ± 20%	43	46	4.2	4.0	3.5	3.2
LPWI201610H1R5T	2016	0806	1.0	1.50 ± 20%	85	100	3.2	2.8	2.5	2.3
LPWI201610B2R2T	2016	0806	1.0	2.20 ± 20%	117	140	2.6	2.4	2.1	1.9
LPWI201610S2R2T	2016	0806	1.0	2.20 ± 20%	130	150	1.8	1.5	1.7	1.6
LPWI201610H2R2T	2016	0806	1.0	2.20 ± 20%	90	120	2.7	2.5	2.4	2.2

Continued...

Electrical Characteristics

Part Number	Size (mm)	Size (Inch)	Thickness (mm)	Inductance @ 1MHz [uH]	DC Resistance [mΩ]		Rated DC Current (A)			
					Typ.	Max.	Isat, ΔL/L=30%		Itemp, ΔT=40°C	
							Typ.	Max.	Typ.	Max.
LPWI252010SR33T	2520	1008	1.0	0.33 ± 20%	20	25	6.8	6.3	5.8	5.3
LPWI252010BR47T	2520	1008	1.0	0.47 ± 20%	21	27	6.8	6.5	5.2	4.6
LPWI252010SR47T	2520	1008	1.0	0.47 ± 20%	25	30	6.0	5.5	4.1	3.7
LPWI252010HR47T	2520	1008	1.0	0.47 ± 20%	22	27	6.6	6.0	5.2	4.4
LPWI252010NR68T	2520	1008	1.0	0.68 ± 20%	32	37	5.5	5.0	4.1	3.5
LPWI252010B1R0T	2520	1008	1.0	1.00 ± 20%	33	36	5.0	4.7	4.3	4.0
LPWI252010S1R0T	2520	1008	1.0	1.00 ± 20%	40	50	4.2	3.8	3.5	3.1
LPWI252010H1R0T	2520	1008	1.0	1.00 ± 20%	35	45	4.6	4.1	4.3	4.1
LPWI252010S1R5T	2520	1008	1.0	1.50 ± 20%	65	80	3.5	3.1	2.8	2.5
LPWI252010B2R2T	2520	1008	1.0	2.20 ± 20%	85	95	3.5	3.1	2.5	2.3
LPWI252010S2R2T	2520	1008	1.0	2.20 ± 20%	100	110	3.0	2.5	2.5	2.3
LPWI252010H2R2T	2520	1008	1.0	2.20 ± 20%	90	97	3.5	3.1	2.5	2.3
LPWI252010S3R3T	2520	1008	1.0	3.30 ± 20%	155	170	2.2	2.0	1.9	1.6
LPWI252010S4R7T	2520	1008	1.0	4.70 ± 20%	230	245	1.9	1.6	1.8	1.5

Part Number	Size (mm)	Size (Inch)	Thickness (mm)	Inductance @ 1MHz [uH]	DC Resistance [mΩ]		Rated DC Current (A)			
					Typ.	Max.	Isat, ΔL/L=30%		Itemp, ΔT=40°C	
							Typ.	Max.	Typ.	Max.
LPWI201610TR47T	2016	0806	1.0	0.47 ± 20%	20	25	5.3	4.8	4.2	3.6
LPWI201610TAR47T	2016	0806	1.0	0.47 ± 20%	35	40	4.2	3.5	3.7	3.2
LPWI201610TBR47T	2016	0806	1.0	0.47 ± 20%	21	27	6.0	5.7	5.2	4.8
LPWI201610T1R0T	2016	0806	1.0	1.00 ± 20%	58	65	3.2	2.8	3.0	2.6
LPWI201610TA1R0T	2016	0806	1.0	1.00 ± 20%	40	45	3.9	3.6	3.1	2.7
LPWI201610TB1R0T	2016	0806	1.0	1.00 ± 20%	43	46	4.2	4.0	3.5	3.2

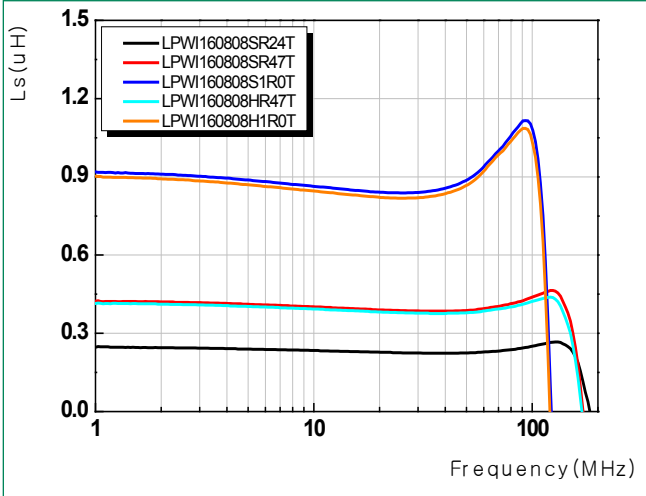
Note: Above PNs have top cover

Test Conditions:

- Inductance measuring equipment : 4287A RF LCR meter. (Agilent) at 1MHz , 0.5V
- DC Resistance measuring equipment : 4338B Milliohm meter (Agilent)
- Withstand voltage : Absolute maximum voltage DC 20V
- Rated Current "ΔL/L=30%" : Based on the inductance change rate (30% below the initial L value)
- Rated Current "ΔT=40°C" : Based on the temp. increase (40°C by self heating at. room-temperature)

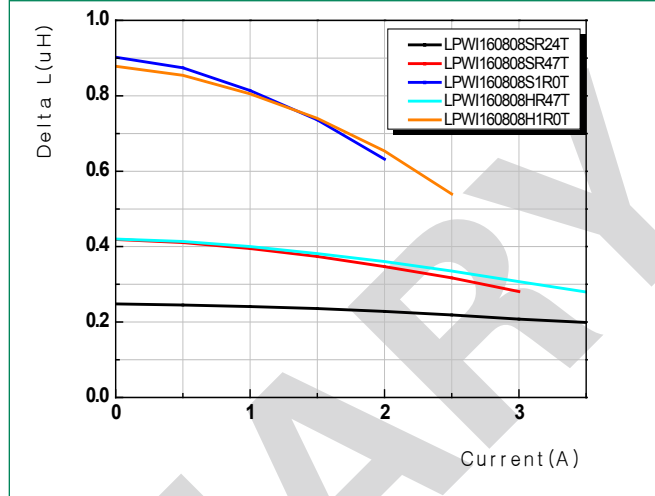
Inductive Vs. Frequency Characteristics

1.6 x 0.8 x 0.8 mm size



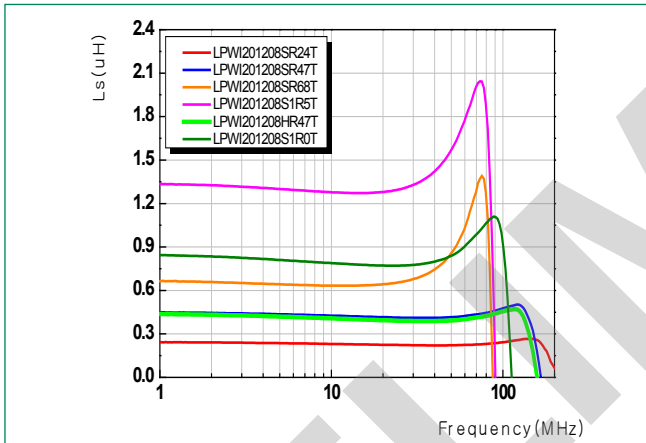
Inductive Vs. DC Current Characteristics

1.6 x 0.8 x 0.8 mm size



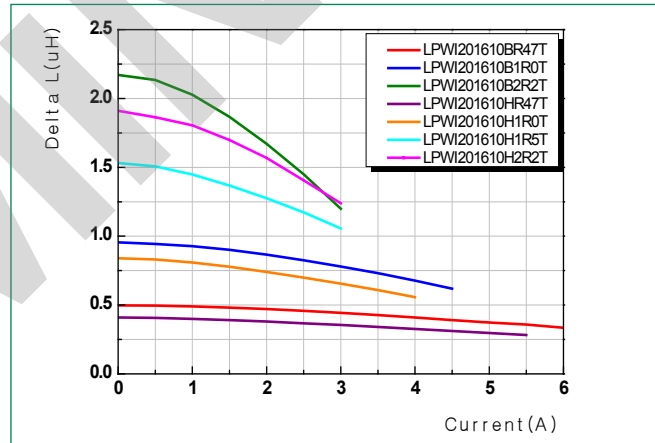
Inductive Vs. Frequency Characteristics

2.0 x 1.2 x 0.8 mm size



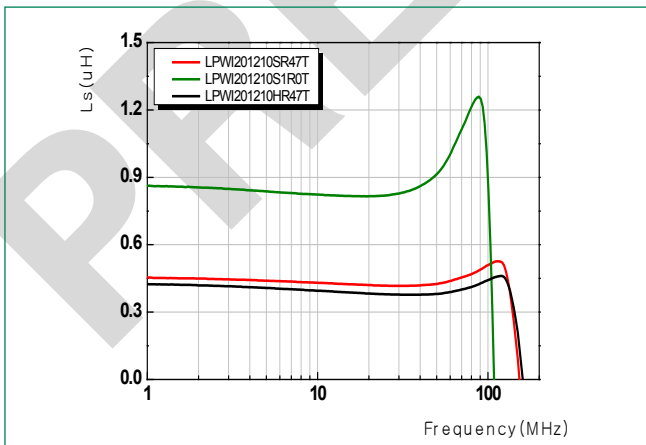
Inductive Vs. DC Current Characteristics

2.0 x 1.2 x 0.8 mm size



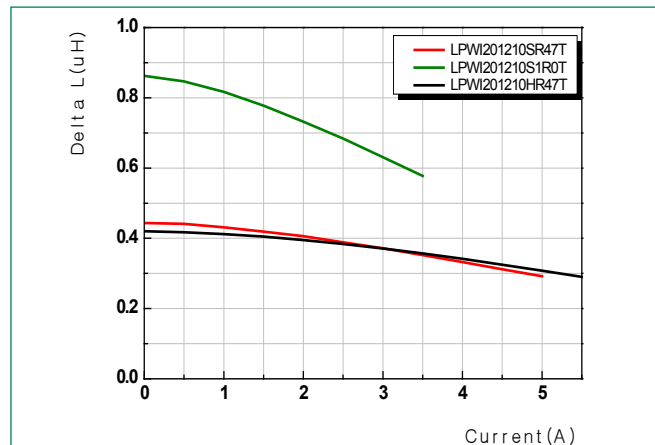
Inductive Vs. Frequency Characteristics

2.0 x 1.2 x 1.0 mm size



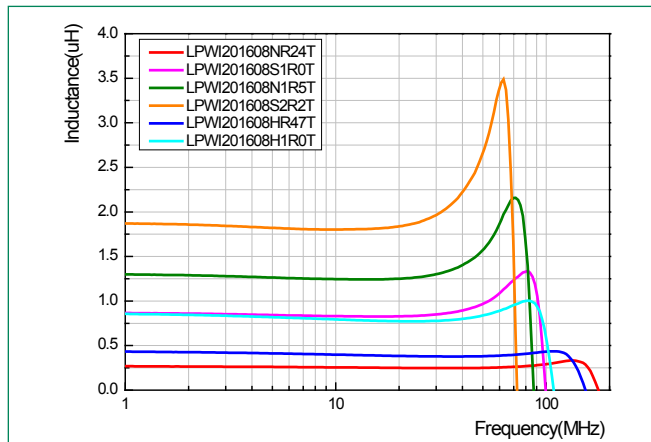
Inductive Vs. DC Current Characteristics

2.0 x 1.2 x 1.0 mm size



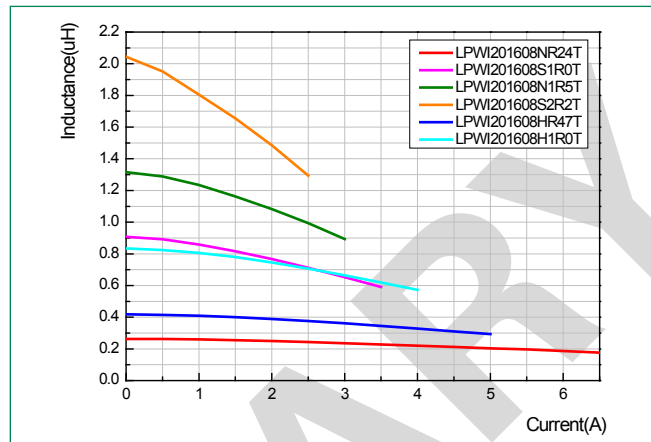
Inductive Vs. Frequency Characteristics

2.0 x 1.6 x 0.8 mm size



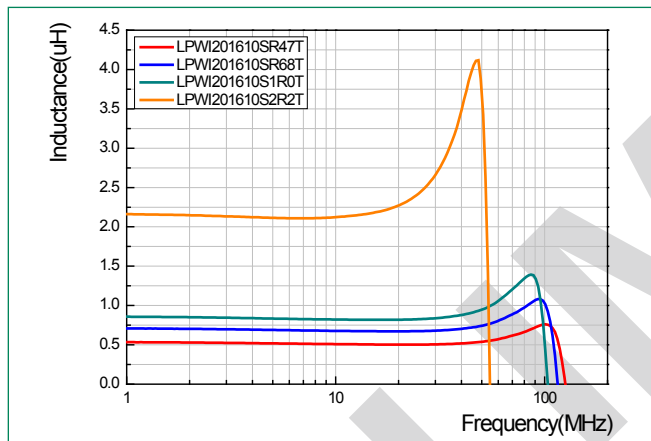
Inductive Vs. DC Current Characteristics

2.0 x 1.6 x 0.8 mm size



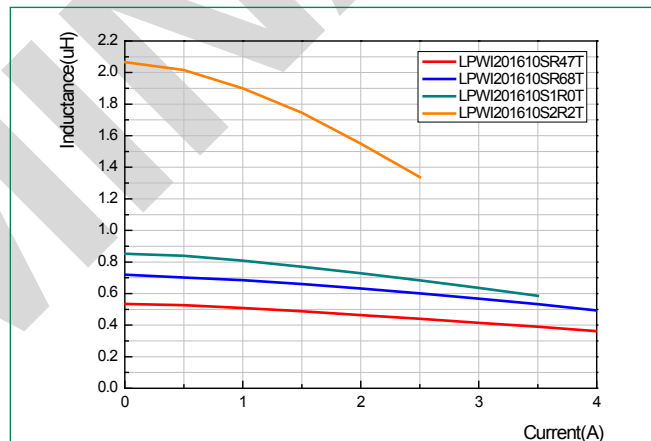
Inductive Vs. Frequency Characteristics

2.0 x 1.6 x 1.0 mm size



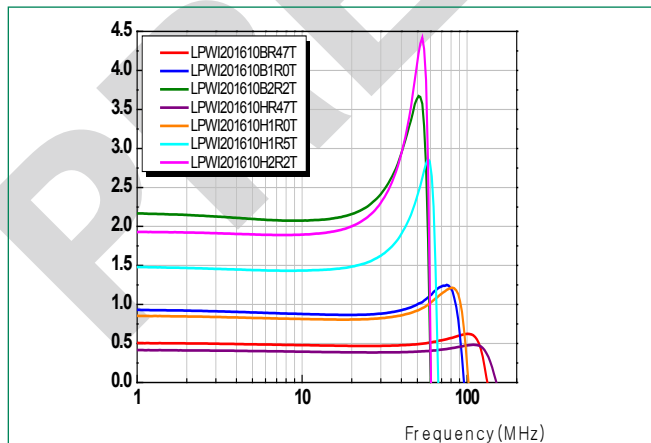
Inductive Vs. DC Current Characteristics

2.0 x 1.6 x 1.0 mm size



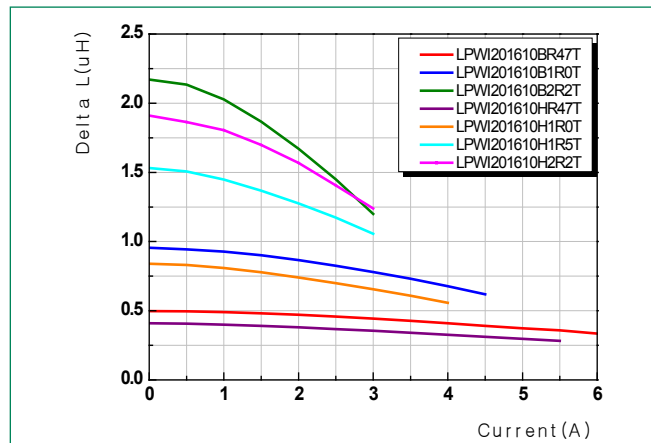
Inductive Vs. Frequency Characteristics

2.0 x 1.6 x 1.0 mm size (High Current)



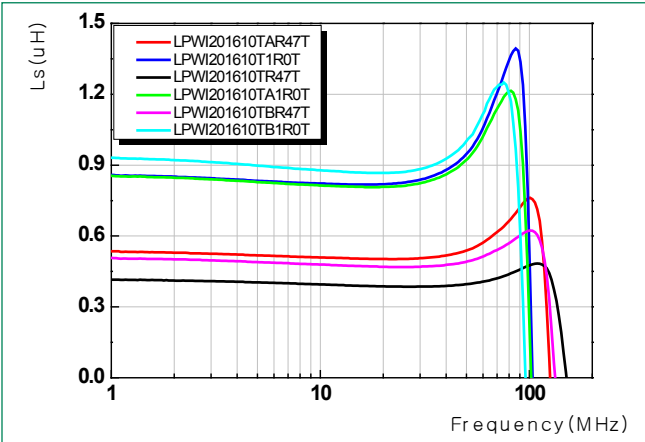
Inductive Vs. DC Current Characteristics

2.0 x 1.6 x 1.0 mm size (High Current)



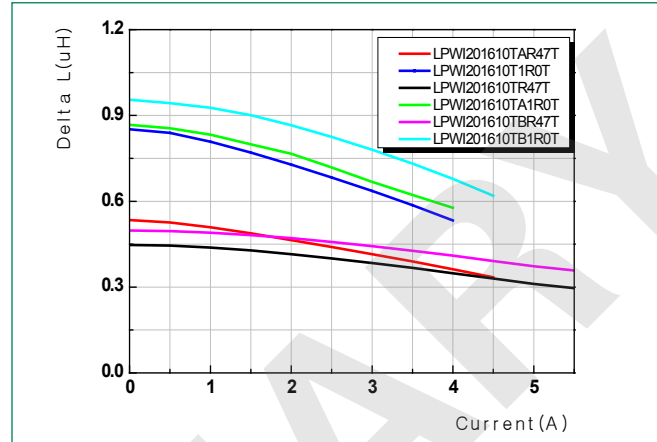
Inductive Vs. Frequency Characteristics

2.0 x 1.6 x 1.0 mm size (top cover type)



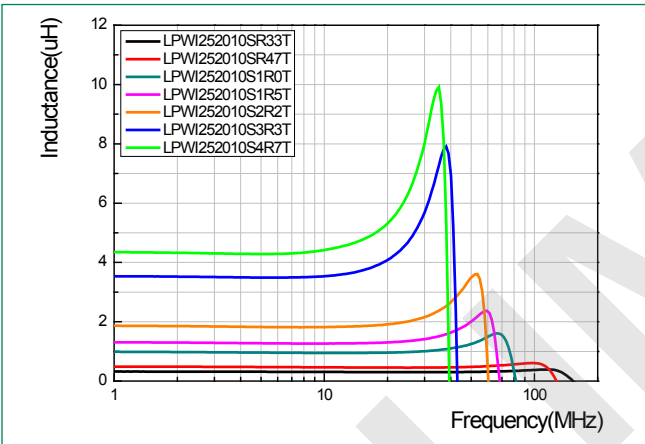
Inductive Vs. DC Current Characteristics

2.0 x 1.6 x 1.0 mm size (top cover type)



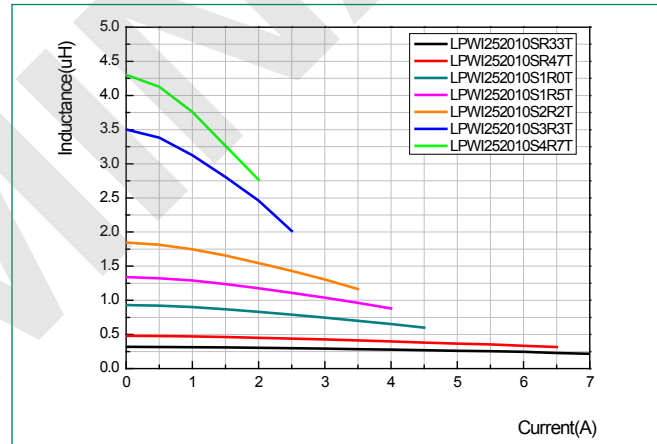
Inductive Vs. Frequency Characteristics

2.5 x 2.0 x 1.0 mm size



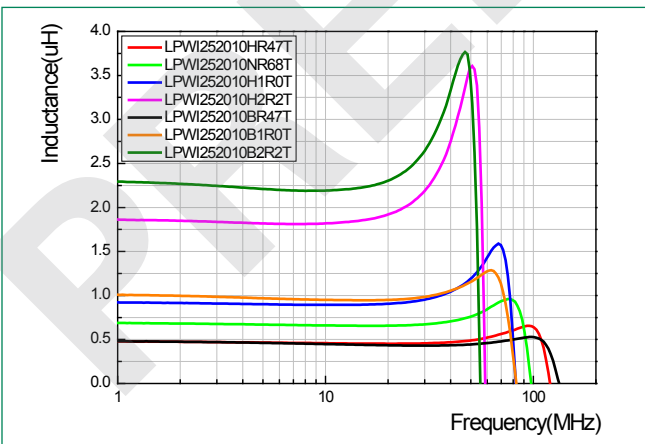
Inductive Vs. DC Current Characteristics

2.5 x 2.0 x 1.0 mm size



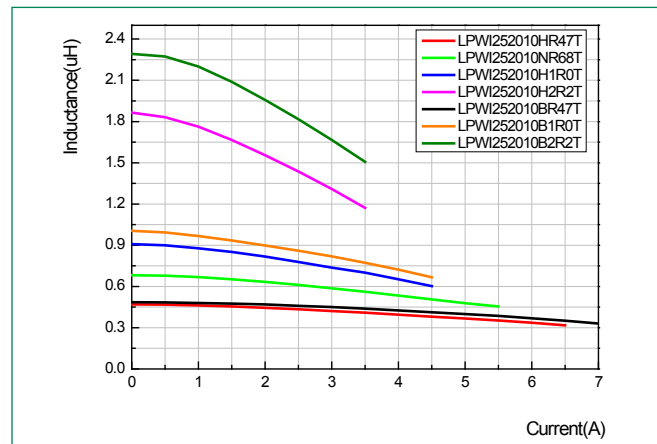
Inductive Vs. Frequency Characteristics

2.5 x 2.0 x 1.0 mm size (High Current)



Inductive Vs. DC Current Characteristics

2.5 x 2.0 x 1.0 mm size (High Current)

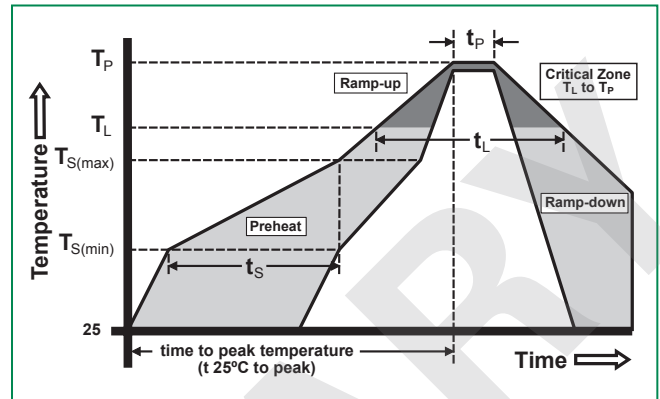


Test Conditions:

- Test Equipment: 4991A RF Impedance Analyzer (Agilent)
- Test Frequency: 1MHz ~ 200MHz

Soldering Parameters

Reflow Condition		Pb-free assembly
Pre Heat	- Temperature Min ($T_{s(min)}$)	160°C
	- Temperature Max ($T_{s(max)}$)	185°C
	- Time (Min to Max) (t_s)	100 – 120 seconds
Average Ramp-up Rate (Liquidus Temp (T_L) to peak)		1°C/second max
$T_{s(max)}$ to T_L - Ramp-up Rate		1°C/second max
Reflow	- Temperature (T_L) (Liquidus)	220°C
	- Temperature (t_L)	30 – 50 seconds
Peak Temperature (T_P)		260°C
Time within 5°C of actual peak Temperature (t_p)		5~10 seconds
Ramp-down Rate		2°C/second max
Time 25°C to Peak Temperature (T_P)		4 minutes max
Do not exceed		260°C
Wave Soldering		260°C, 10 sec. max

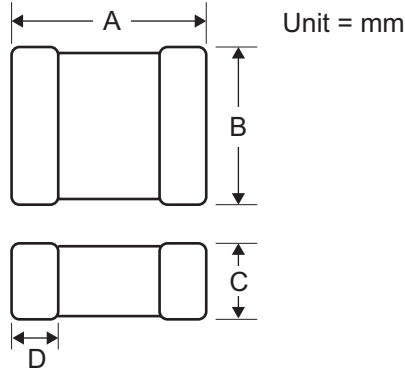


Recommended Soldering Profile (Lead free condition)

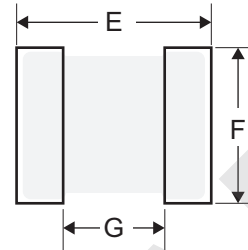
Product Characteristics

Lead Pull Strength	5N
Solderability	260°C, ≤10s (Reflow), Max 380°C, ≤5s (Soldering iron)
Soldering Heat Resistance	Max 260°C 10sec (Wave), Max Temperature: Max 380°C (Max 5sec)
Operating Temperature	-40°C ~ + 125°C
Climatic Category	-40°C ~ + 85°C/8 days
Stock Conditions	-10°C ~ + 40°C RH, ≤ 70%
Vibration Resistance	5 g's for 20 minutes, 12 cycles each of 3 orientations

Dimensions



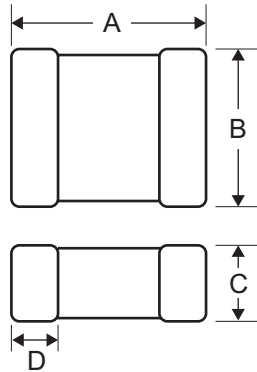
Recommended Footprint and Stencil Mask



Stencil Mask T = 0.10mm

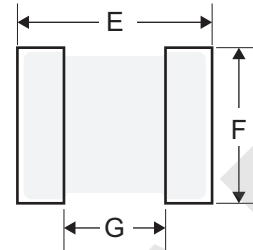
Part Number	A	B	C (max.)	D	E	F	G
LPWI160808SR24T	1.60±0.20	0.80±0.20	0.80	0.30±0.20	1.80+0.10	1.00+0.10	0.80±0.10
LPWI160808SR47T							
LPWI160808HR47T							
LPWI160808S1R0T							
LPWI160808H1R0T							
LPWI201208SR24T	2.00±0.20	1.20±0.20	0.80	0.50±0.30	2.40+0.10	1.45+0.10	0.80±0.10
LPWI201208SR47T							
LPWI201208HR47T							
LPWI201208SR68T							
LPWI201208S1R0T							
LPWI201208S1R5T							
LPWI201210SR47T	2.00±0.20	1.20±0.20	1.00	0.50±0.30	2.40+0.10	1.45+0.10	0.80±0.10
LPWI201210HR47T							
LPWI201210S1R0T							
LPWI201608LR24T	2.00±0.20	1.60±0.20	0.80	0.40±0.10	2.40+0.10	1.80+0.10	1.00±0.10
LPWI201608NR24T							
LPWI201608HR47T							
LPWI201608H1R0T							
LPWI201608S1R0T							
LPWI201608N1R5T							

Dimensions



Unit = mm

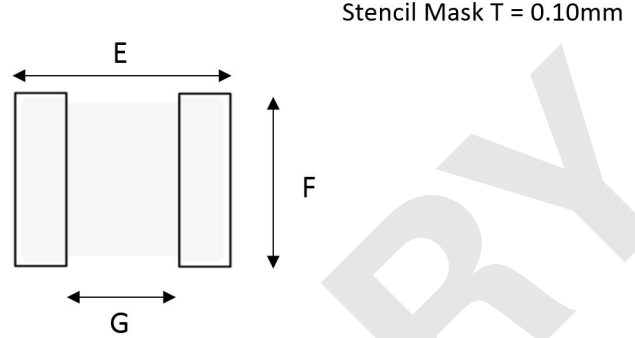
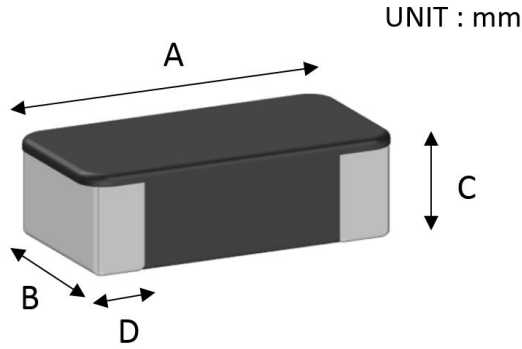
Recommended Footprint and Stencil Mask



Stencil Mask T = 0.10mm

Part Number	A	B	C (max.)	D	E	F	G
LPWI201610B1R0T	2.00±0.20	1.60±0.20	1.00	0.50±0.30	2.40+0.10	1.80+0.10	1.00±0.10
LPWI201610BR47T							
LPWI201610B2R2T							
LPWI201610SR47T	2.00±0.30	1.60±0.20	1.00	0.40±0.10	2.40+0.10	1.80+0.10	1.00±0.10
LPWI201610SR68T							
LPWI201610S1R0T							
LPWI201610S2R2T							
LPWI201610HR47T							
LPWI201610H1R0T	2.00±0.30	1.60±0.10	1.00	0.40±0.10	2.40+0.10	1.70+0.10	1.30±0.10
LPWI201610H1R5T							
LPWI201610H2R2T							
LPWI252010SR33T	2.50±0.20	2.00±0.20	1.00	0.50±0.30	2.80+0.10	2.20+0.10	1.20±0.10
LPWI252010BR47T							
LPWI252010SR47T							
LPWI252010HR47T							
LPWI252010NR68T							
LPWI252010B1R0T							
LPWI252010S1R0T							
LPWI252010H1R0T							
LPWI252010S1R5T							
LPWI252010B2R2T							
LPWI252010S2R2T							
LPWI252010H2R2T							
LPWI252010S3R3T							

Dimensions

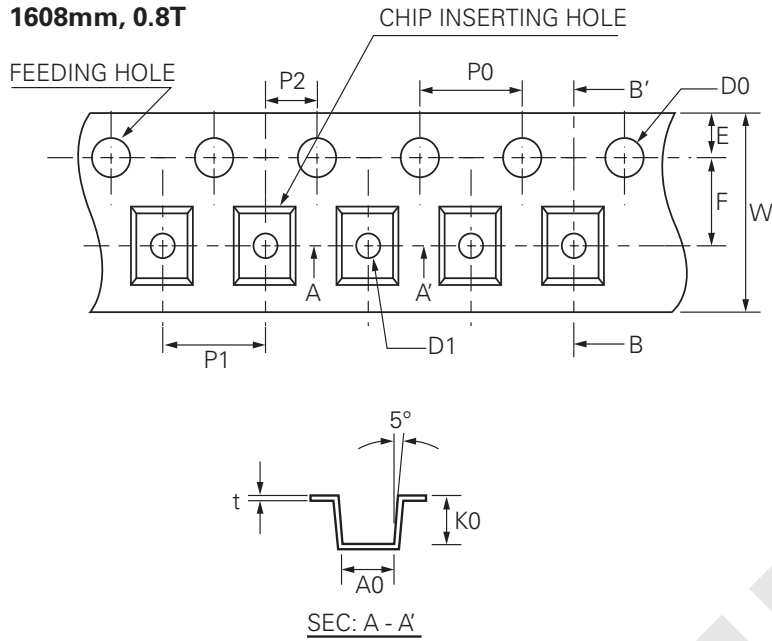


Part Number	A	B	C (max.) Include top cover	D	E	F	G
LPWI201610TR47T	2.00±0.20	1.60±0.20	1.00	0.50±0.30	2.40+0.10	1.80+0.10	1.00±0.10
LPWI201610TAR47T							
LPWI201610TBR47T							
LPWI201610T1R0T							
LPWI201610TA1R0T							
LPWI201610TB1R0T							

Special Notice: Above PNs have top cover; no ground

Carrier Tape Dimensions

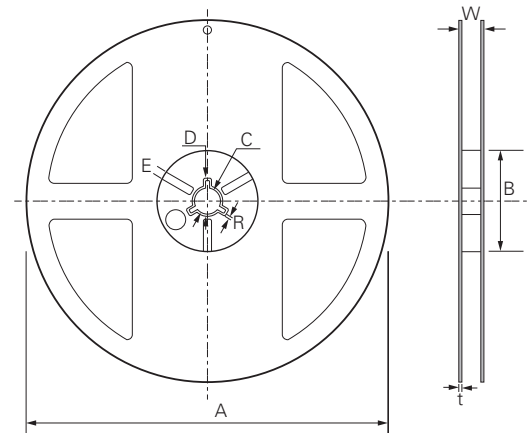
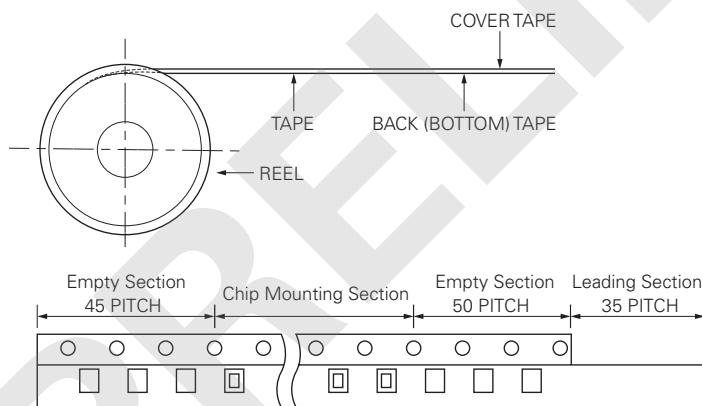
1608mm, 0.8T



Symbol	Dimensions
	Millimeters
A0	1.14±0.05
B0	1.95±0.05
W	8.00±0.10
F	3.50±0.05
E	1.75±0.05
P1	4.00±0.10
P2	2.00±0.05
P0	4.00±0.10
D0	1.55±0.03
t	0.22±0.05

Tape and Reel Dimensions

1608mm, 0.8T

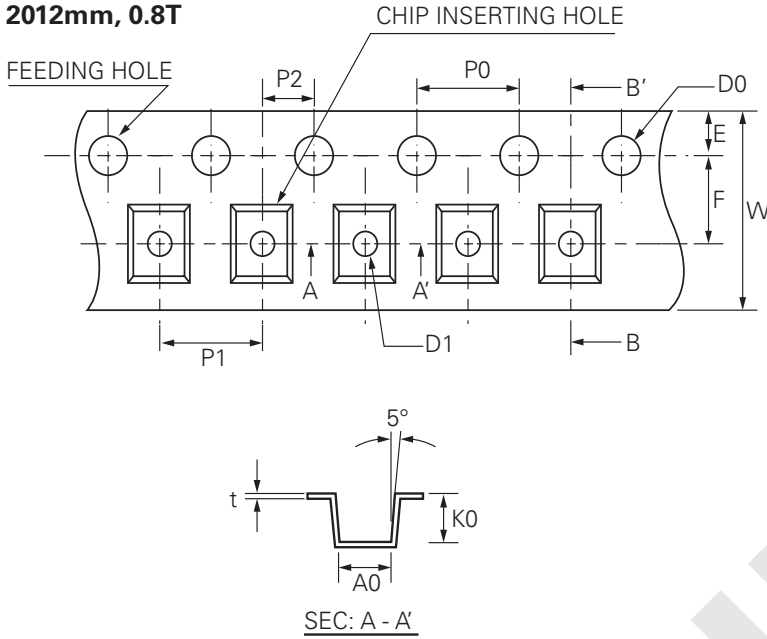


- (1) Reel Materials: Polystyrene (2) Label (3) Taping
- Standard Packing Quantity per Reel (Ø178)
- PE Tape: 4,000pcs

Code	A	B	C	D	E	W	t	R
Dimension	Ø178±2	Min. Ø50	Ø13±0.5	Ø20±0.8	3.0±0.5	10±1.5	1.3±0.2	1.0±0.2

Carrier Tape Dimensions

2012mm, 0.8T

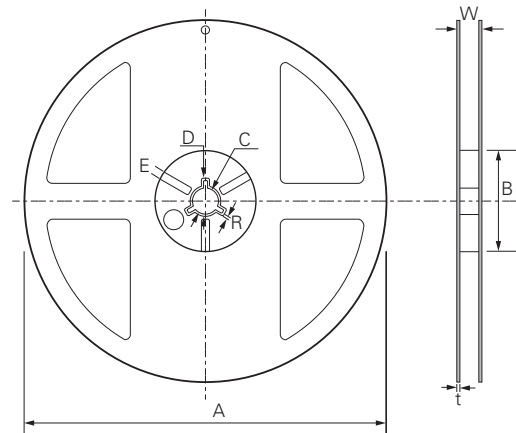
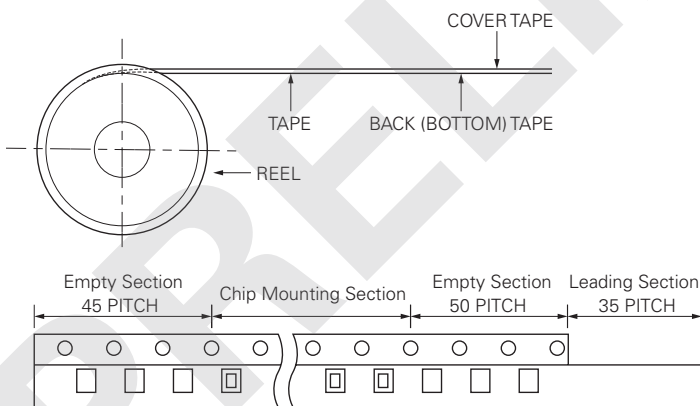


SEC: B - B'

Symbol	Dimensions
	Millimeters
A0	1.50±0.05
B0	2.35±0.05
K0	0.90±0.05
W	8.00±0.02
F	3.50±0.05
E	1.75±0.10
P1	4.00±0.10
P2	2.00±0.05
P0	4.00±0.05
D0	1.50+0.10 & -0
D1	1.00±0.05
t	0.25±0.05

Tape and Reel Dimensions

2012mm, 0.8T

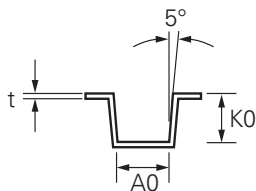
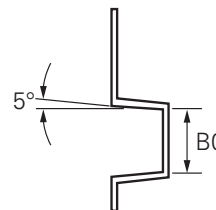
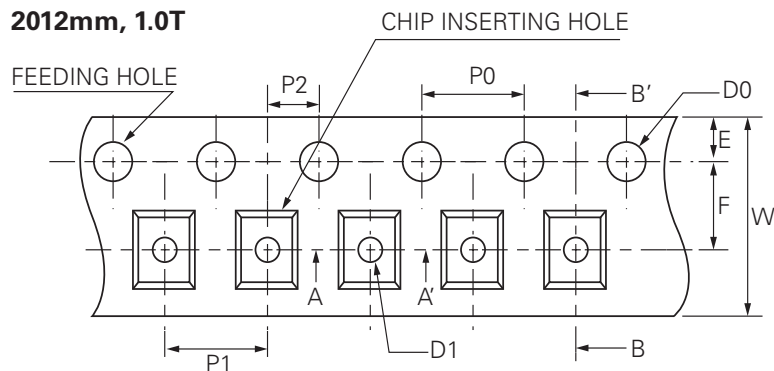


- (1) Reel Materials: Polystyrene (2) Label (3) Taping
- Standard Packing Quantity per Reel (Ø178)
- PE Tape: 3,000pcs

Code	A	B	C	D	E	W	t	R
Dimension	Ø178±2	Min. Ø50	Ø13±0.5	Ø20±0.8	3.0±0.5	10±1.5	1.3±0.2	1.0±0.2

Carrier Tape Dimensions

2012mm, 1.0T

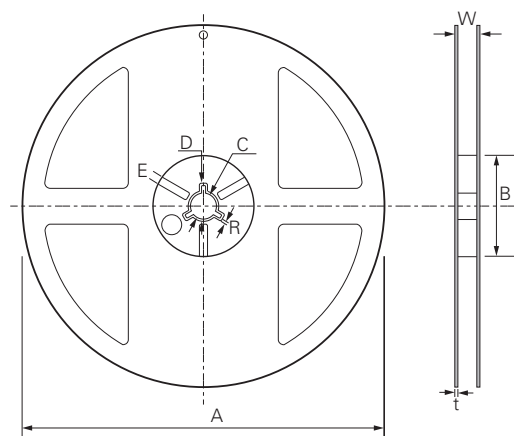
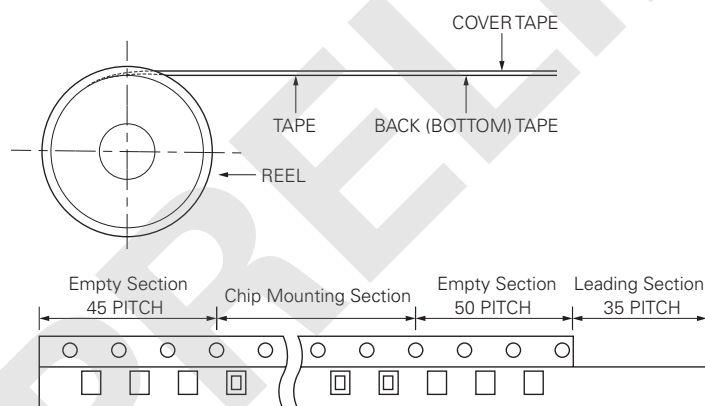


SEC: B - B'

Symbol	Dimensions
	Millimeters
A0	1.42±0.10
B0	2.35±0.05
K0	1.09±0.05
W	8.00±0.2
F	3.50±0.05
E	1.75±0.10
P1	4.00±0.10
P2	2.00±0.05
P0	4.00±0.05
D0	1.50+0.10 & -0
D1	1.00±0.10
t	0.22±0.05

Tape and Reel Dimensions

2012mm, 1.0T

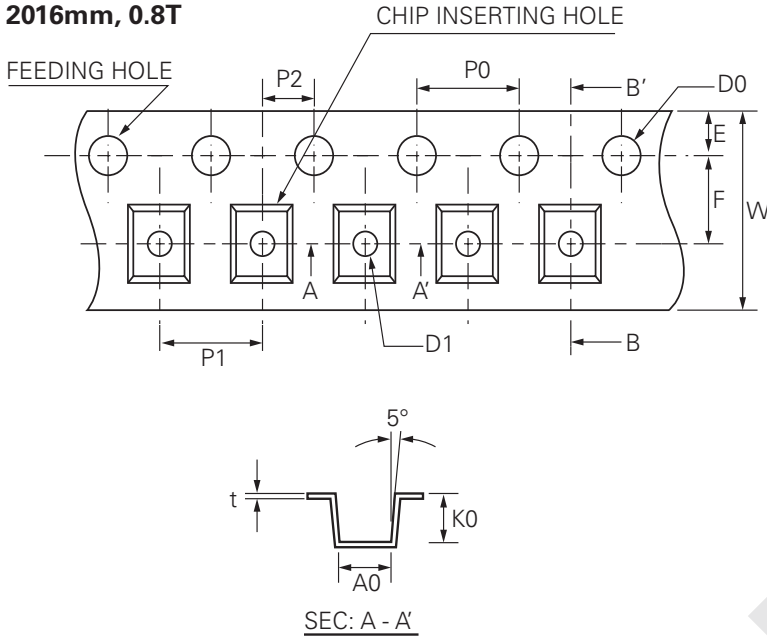


- (1) Reel Materials: Polystyrene (2) Label (3) Taping
- Standard Packing Quantity per Reel (Ø178)
- PE Tape: 3,000pcs

Code	A	B	C	D	E	W	t	R
Dimension	Ø178±2	Min. Ø50	Ø13±0.5	Ø20±0.8	3.0±0.5	10±1.5	1.3±0.2	1.0±0.2

Carrier Tape Dimensions

2016mm, 0.8T

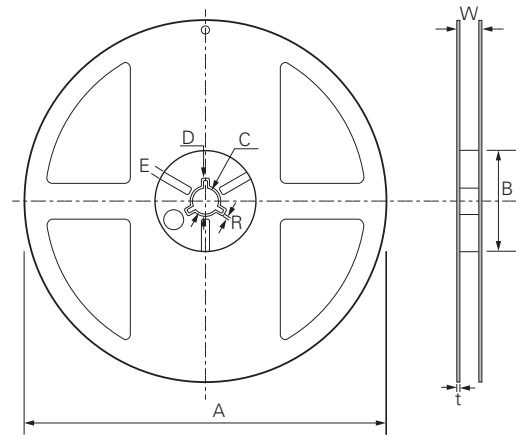
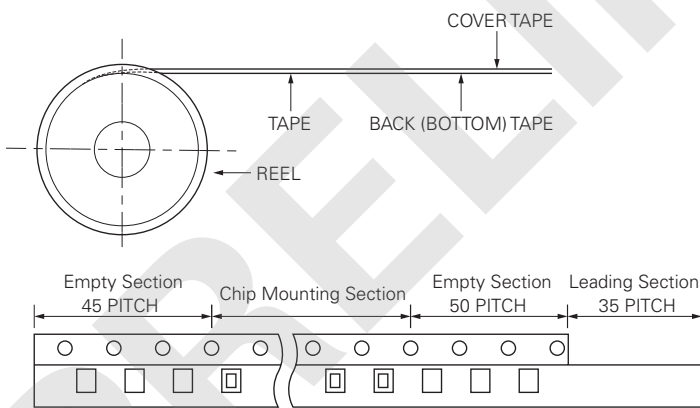


SEC: B - B'

Symbol	Dimensions
	Millimeters
A0	1.90±0.10
B0	2.35±0.10
K0	1.15±0.10
W	8.00±0.2
F	3.50±0.05
E	1.75±0.10
P1	4.00±0.10
P2	2.00±0.05
P0	4.00±0.05
D0	1.50+0.10 & -0
D1	1.00±0.10
t	0.22±0.05

Tape and Reel Dimensions

2016mm, 0.8T

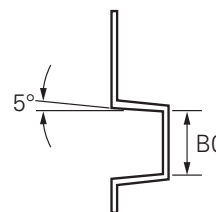
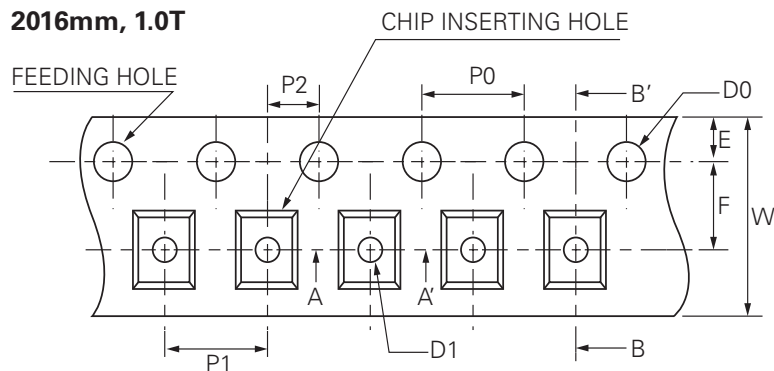


- (1) Reel Materials: Polystyrene (2) Label (3) Taping
- Standard Packing Quantity per Reel (Ø178)
- PE Tape: 3,000pcs

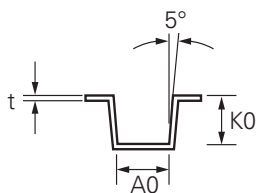
Code	A	B	C	D	E	W	t	R
Dimension	Ø178±2	Min. Ø50	Ø13±0.5	Ø21±0.8	2.0±0.5	10±1.5	0.8±0.2	1.0

Carrier Tape Dimensions

2016mm, 1.0T



SEC: B - B'

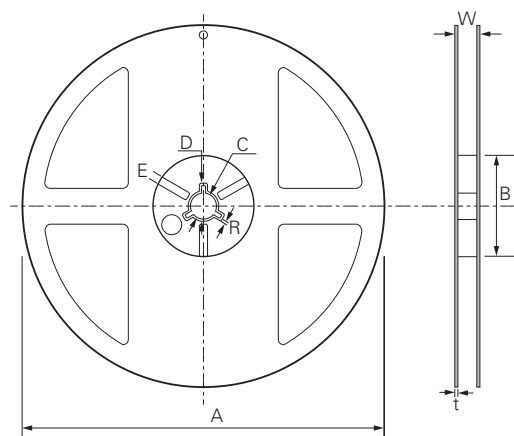
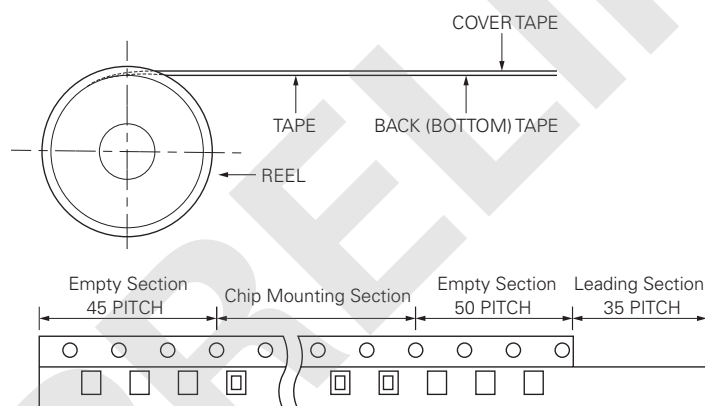


SEC: A - A'

Symbol	Dimensions	
	Millimeters	
A0	1.90±0.10	
B0	2.35±0.10	
K0	1.15±0.10	
W	8.00±0.2	
F	3.50±0.05	
E	1.75±0.10	
P1	4.00±0.10	
P2	2.00±0.05	
P0	4.00±0.05	
D0	1.50+0.10 & -0	
D1	1.00±0.10	
t	0.22±0.05	

Tape and Reel Dimensions

2016mm, 1.0T

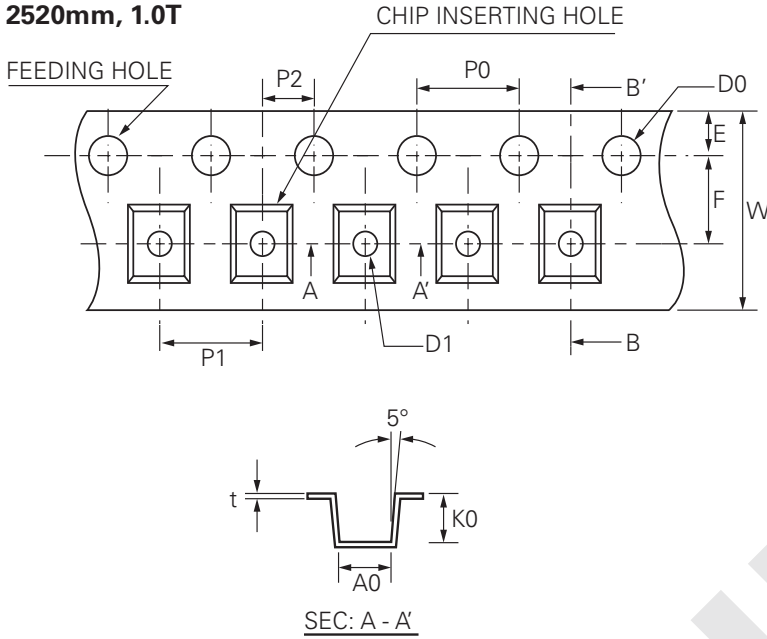


- (1) Reel Materials: Polystyrene (2) Label (3) Taping
- Standard Packing Quantity per Reel (Ø178)
- PE Tape: 3,000pcs

Code	A	B	C	D	E	W	t	R
Dimension	Ø178±2	Min. Ø50	Ø13±0.5	Ø21±0.8	2.0±0.5	10±1.5	0.8±0.2	1.0

Carrier Tape Dimensions

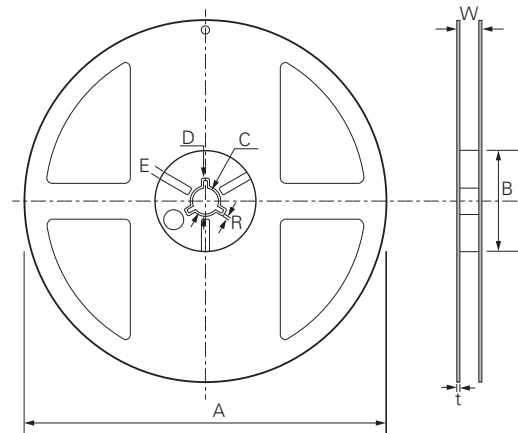
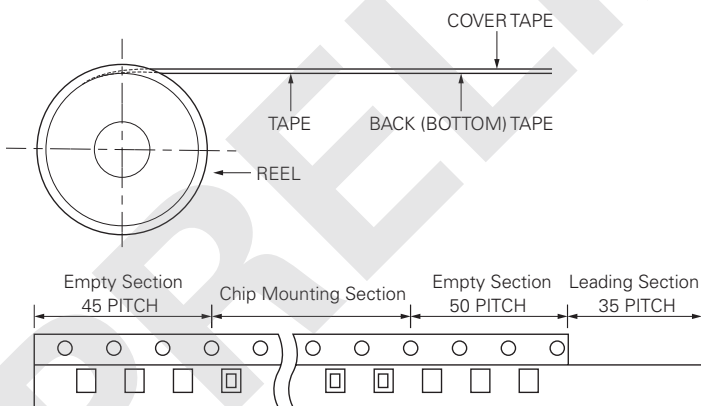
2520mm, 1.0T



Symbol	Dimensions	
	Millimeters	
A0	2.23±0.10	
B0	2.74±0.10	
K0	1.17±0.10	
W	8.00±0.2	
F	3.50±0.05	
E	1.75±0.10	
P1	4.00±0.10	
P2	2.00±0.05	
P0	4.00±0.05	
D0	1.50+0.10 & -0	
D1	1.00±0.10	
t	0.22±0.05	

Tape and Reel Dimensions

2520mm, 1.0T



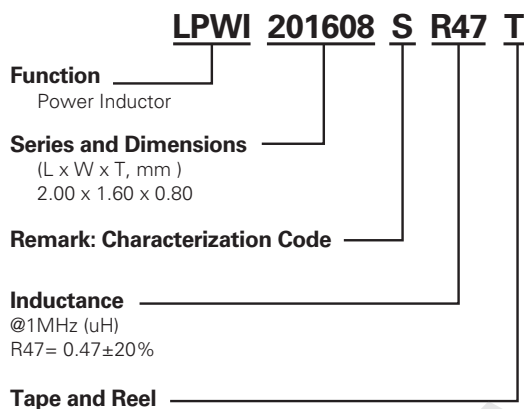
- (1) Reel Materials: Polystyrene (2) Label (3) Taping
- Standard Packing Quantity per Reel (Ø178)
- PE Tape: 3,000pcs

Code	A	B	C	D	E	W	t	R
Dimension	Ø178±2	Min. Ø50	Ø13±0.5	Ø20±0.8	3.0±0.5	10±1.5	1.3±0.2	1.0±0.2

Packaging

Part Number	Packaging Option	Quantity
LPWI1608*****	Tape and Reel	4000
LPWI2012*****	Tape and Reel	3000
LPWI2016*****	Tape and Reel	3000
LPWI2520*****	Tape and Reel	3000

Part Numbering System



Installation and Handling Guidelines

- Operation of these devices beyond the stated maximum ratings could result in damage to the devices and lead to electrical arcing and/or fire.
- These devices are intended to protect against the effects of temporary over-current or over-temperature conditions and are not intended to perform as protective devices where such conditions are expected to be repetitive or prolonged in duration.
- Exposure to silicon-based oils, solvents, electrolytes, acids, and similar materials can adversely affect the performance of these PPTC devices.
- These devices undergo thermal expansion under fault conditions, and thus shall be provided with adequate space and be protected against mechanical stresses.
- Circuits with inductance may generate a voltage (L di/dt) above the rated voltage of the PPTC device.
- Hand-soldering of PTC devices on boards is generally not recommended. Users shall define and verify this process if needed.
- Consult Littelfuse when the device is to be applied with thermal processes other than reflow process on the circuit board, such as molding, encapsulation. User should evaluate molding materials used in the charging cable applications to ensure there are no adverse effect on the PTC devices.

Disclaimer Notice - Information furnished is believed to be accurate and reliable. However, users should independently evaluate the suitability of and test each product selected for their own applications. Littelfuse products are not designed for, and may not be used in, all applications. Read complete Disclaimer Notice at www.littelfuse.com/disclaimer-electronics.

Looking for pricing, stock, or lifecycle information?

Click below to explore more details on WIN SOURCE:

 [View LPWI252010H1R0T on WIN SOURCE](#)

 [Littelfuse Inc. Information](#)

Optimize Your Supply Chain with WIN SOURCE Solutions

-  Global Sourcing Solution
-  Obsolete Management
-  Cost Control Management
-  Shortage Management
-  Alternative Solution
-  Excess Inventory Management