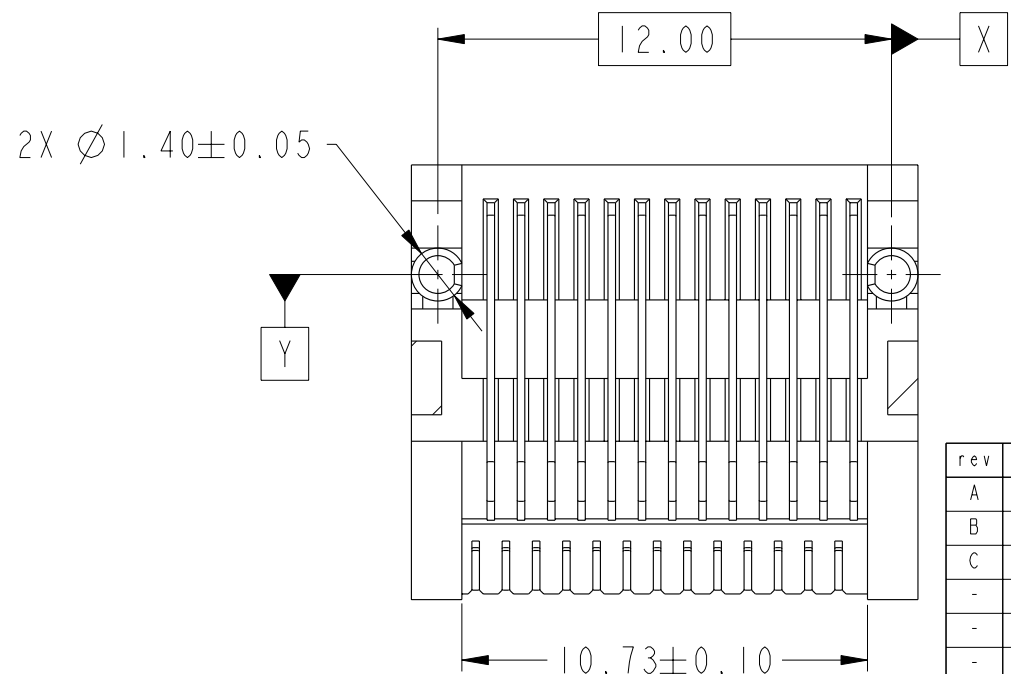
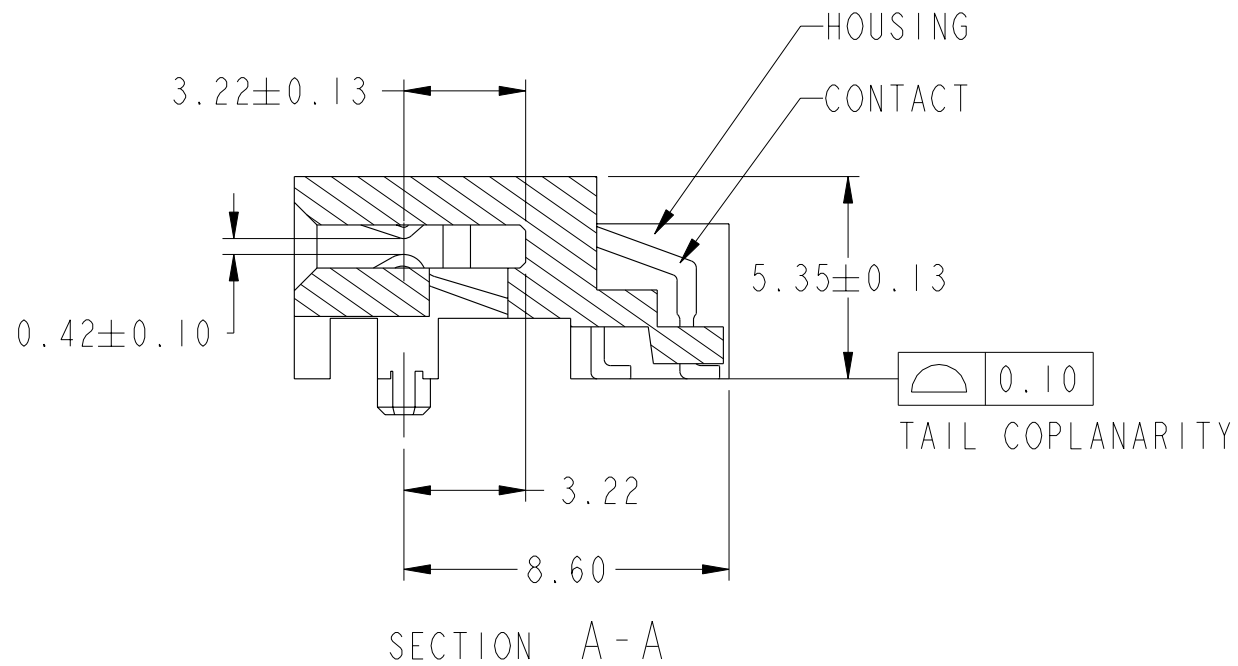
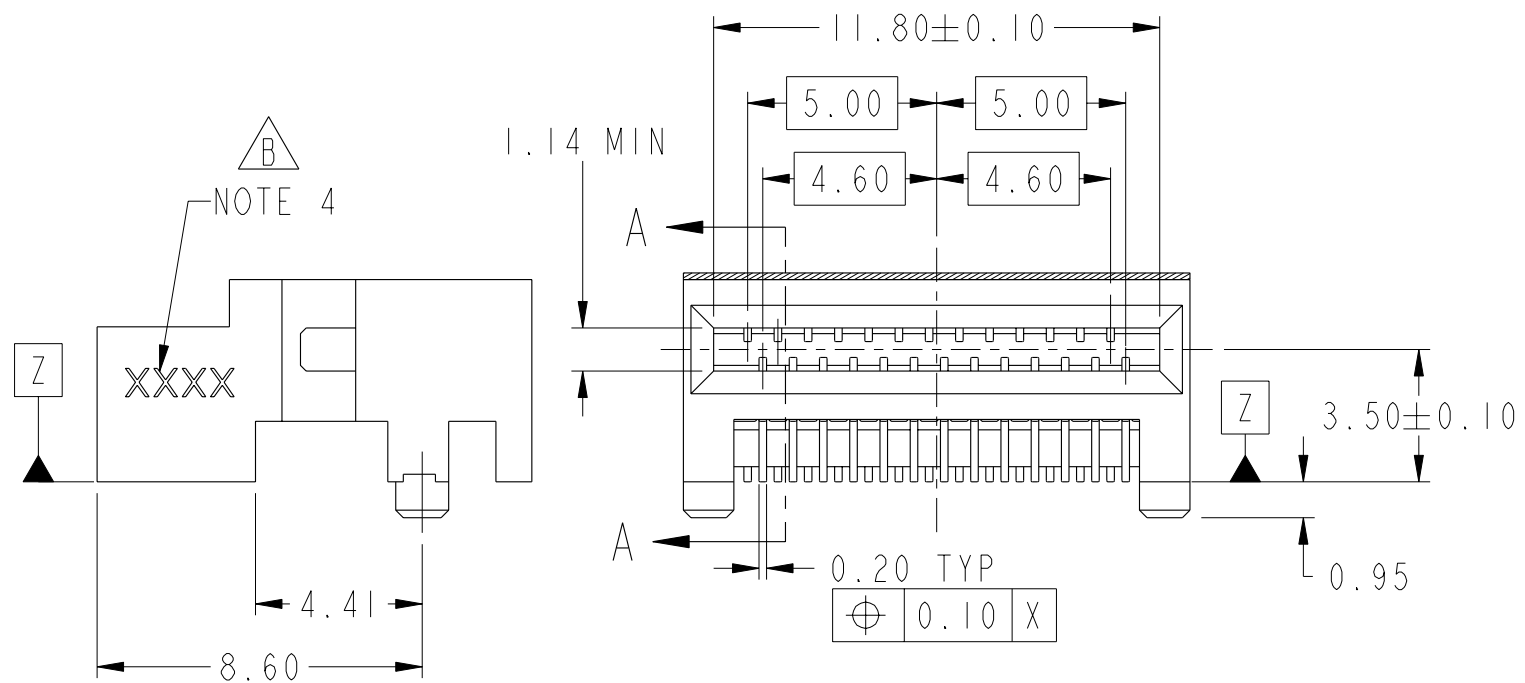
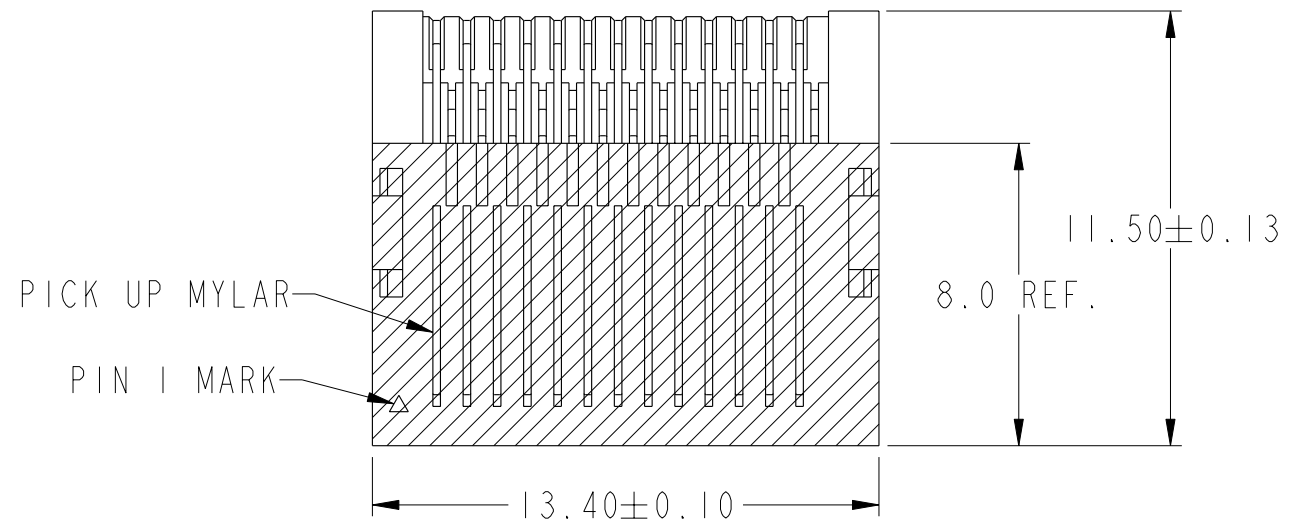
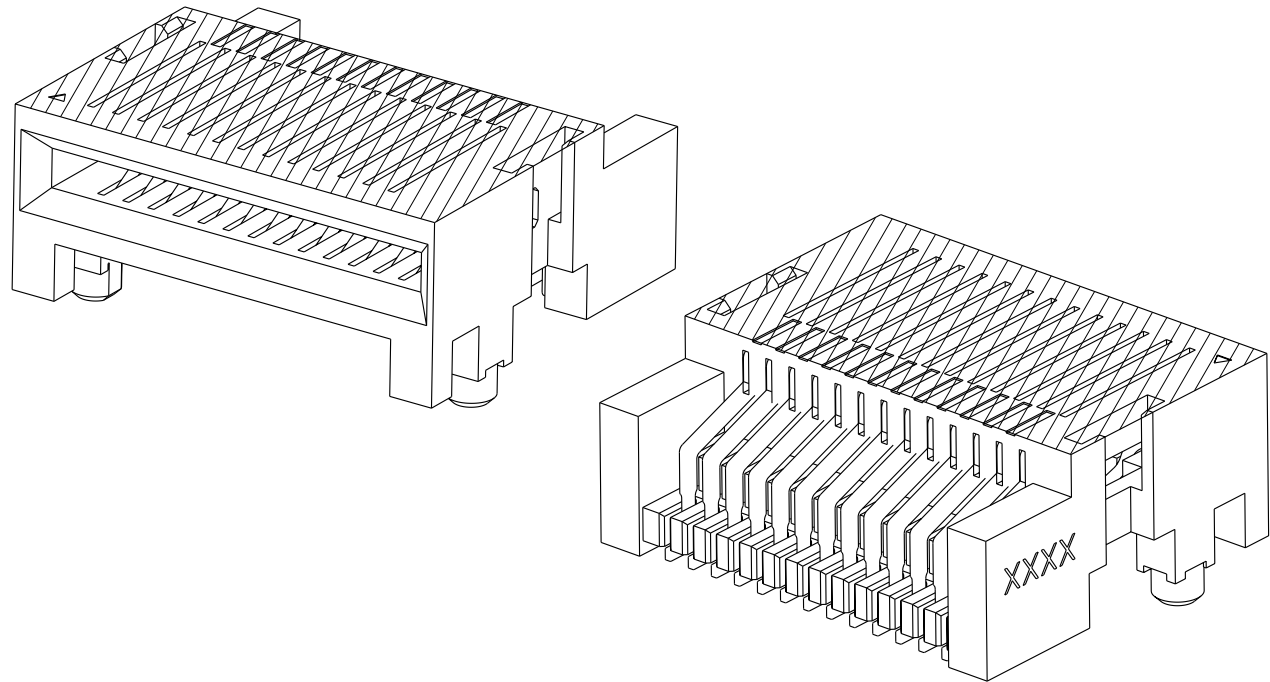




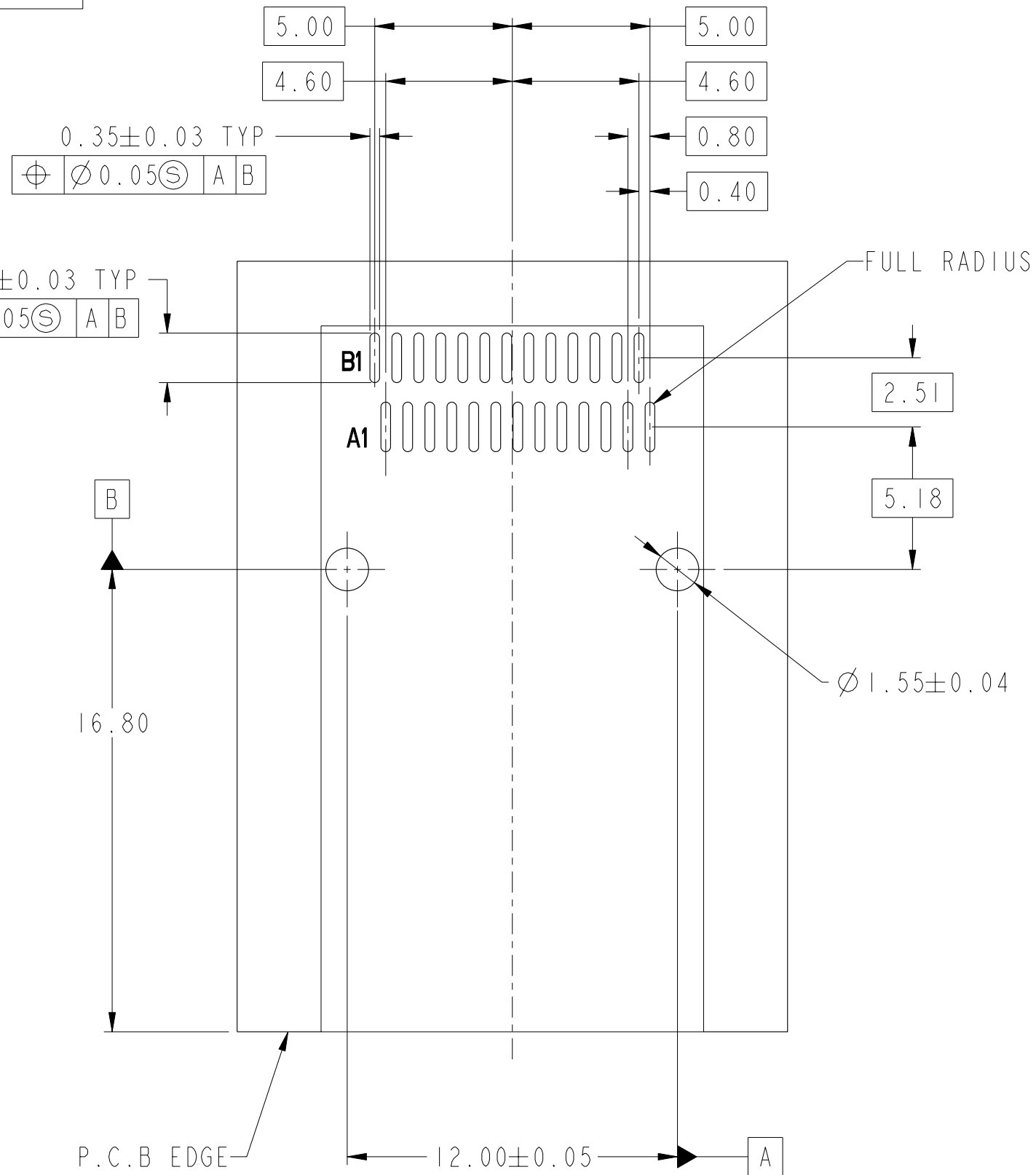
PRODUCT NUMBER	PLATING	PACKAGING TYPE
10098870-1102LF	0.76µm Au	TAPE & REEL WITH MYLAR



rev	ecn no	dr	date
A	V09-0420	RE	2009-08-20
B	V09-0508	MRG	2009-10-29
C	V09-0550	MRG	2009-11-19
-	-	-	-
-	-	-	-
-	-	-	-

www.fciconnect.com		surface ASME Y14.5	tolerance std ASME Y14.5	projection MM
		TOLERANCES UNLESS OTHERWISE SPECIFIED		
Dr	S. MANOHARAN	2009-03-30	ANGULAR	0.X ±0.25
Eng	J. SHUEY	2009-03-30	LINEAR	0.XX ±0.13
Chr	J. SHUEY	2009-03-30	0° ±1°	0.XXX ±
Appr	J. SHUEY	2009-03-30	Product family	MINI SAS
FCi		R/A SMT 0.80mm PITCH		size A3
		MINI-SAS CONNECTOR		Scale 5:1
catalog no		-		ECN V09-0420
		CUSTOMER		Spec ref -
		10098870		Rev. C
		sheet 1 of 2		

PRODUCT NUMBER  
10098870-1102LF



NOTES:

1. CONTACT MATERIAL: COPPER ALLOY  
PLATING:  
UNDERPLATING: NICKEL PLATING OVER ALL THICKNESS 1.27µm MIN.  
CONTACT AREA: GOLD PLATING (SEE TABLE)  
HOUSING MATERIAL: HIGH-TEMP THERMOPLASTIC, COLOR: BLACK  
FLAME RETARDANT PER UL 94V-0

2. PRODUCT SPECIFICATION: GS-12-548

3. APPLICATION SPECIFICATION: GS-20-124

4. DATE CODE PRINTED APPROXIMATELY AS SHOWN.

5. PRODUCT MEETS EUROPEAN UNION DIRECTIVES AND OTHER COUNTRY REGULATIONS AS DESCRIBED IN GS-22-008.

6. A SYMBOL WILL BE NEXT TO ANY DIMENSION, VIEW, OR NOTE WHICH HAS BEEN MODIFIED WITH THE CURRENT DRAWING REVISION.



Copyright FCI.

	TITLE R/A SMT 0.80mm PITCH MINI-SAS CONNECTOR	DWG NO 10098870	Rev. C
	CATALOG NO -	CUSTOMER	sheet 2 of 2

## Looking for pricing, stock, or lifecycle information?

Click below to explore more details on WIN SOURCE:

 [View 10098870-1102LF on WIN SOURCE](#)

 [Amphenol Information](#)

## Optimize Your Supply Chain with WIN SOURCE Solutions

-  Global Sourcing Solution
-  Obsolete Management
-  Cost Control Management
-  Shortage Management
-  Alternative Solution
-  Excess Inventory Management