



**THE DATASHEET OF
10078995-G02-14ALF**



10078995-G0X-XXULF

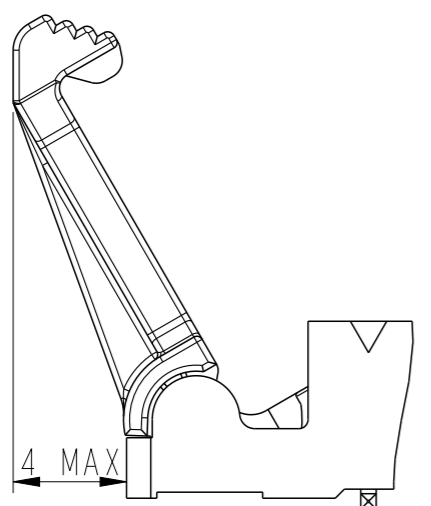
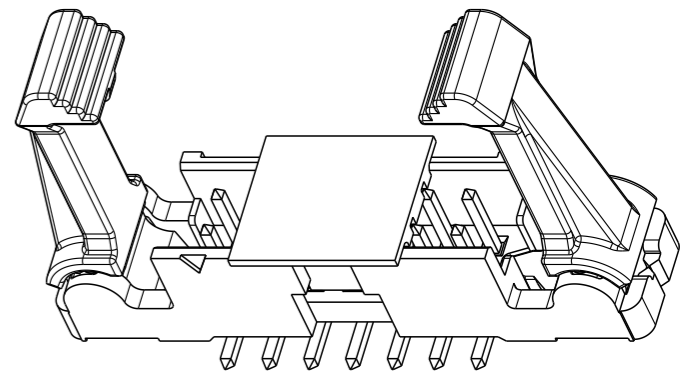
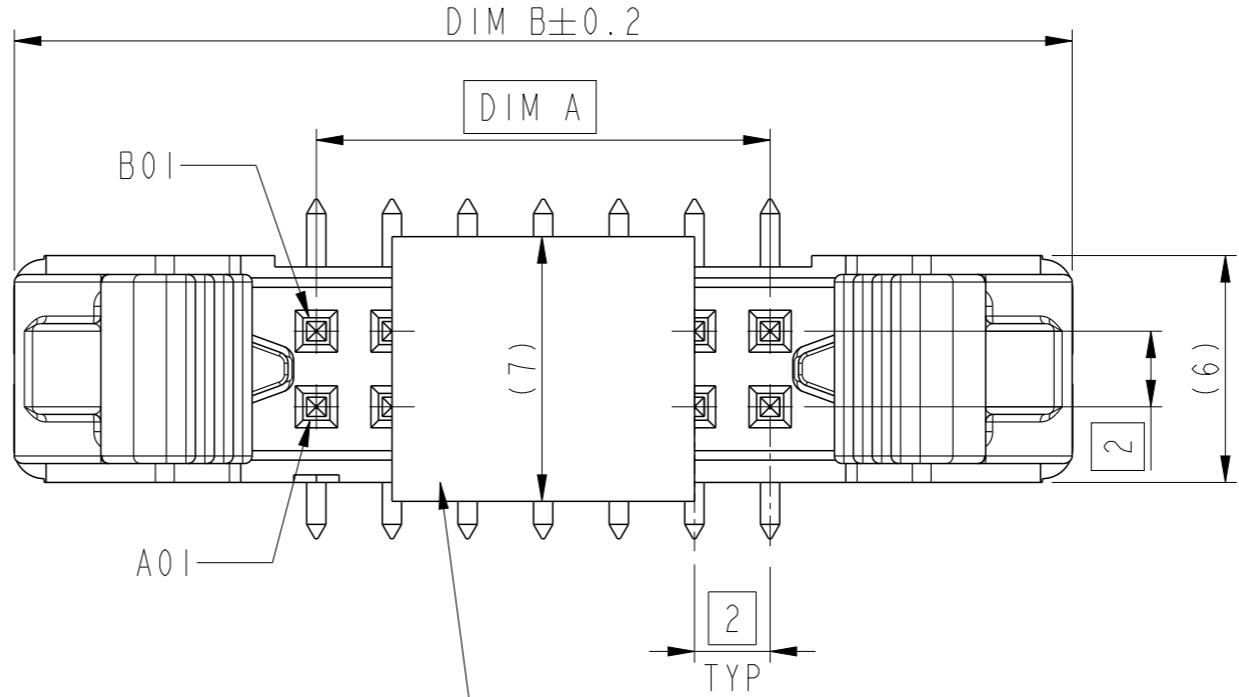
PLATING
 0.76µm GXT (Pd Ni WITH GOLD FLASH ON CONTACT AREA)
 1.27µm NICKEL MIN UNDERPLATE

LATCH TYPE:
 1-STANDARD : FOR USE WITH STRAIN-RELIEF 10073978
 2-LOW PROFILE : FOR USE WITHOUT STRAIN-RELIEF

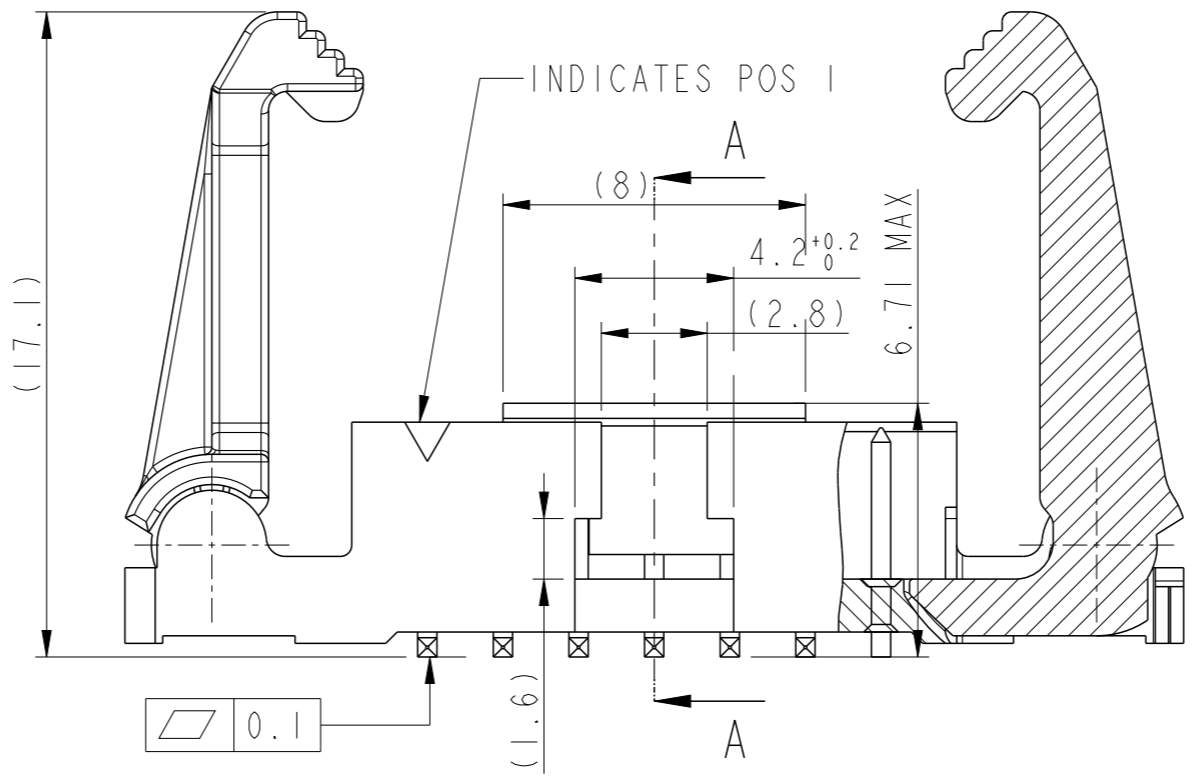
SIZE: TOTAL NB OF POSITIONS
 SEE SHEET 2

PACKAGING. SEE NOTE 4

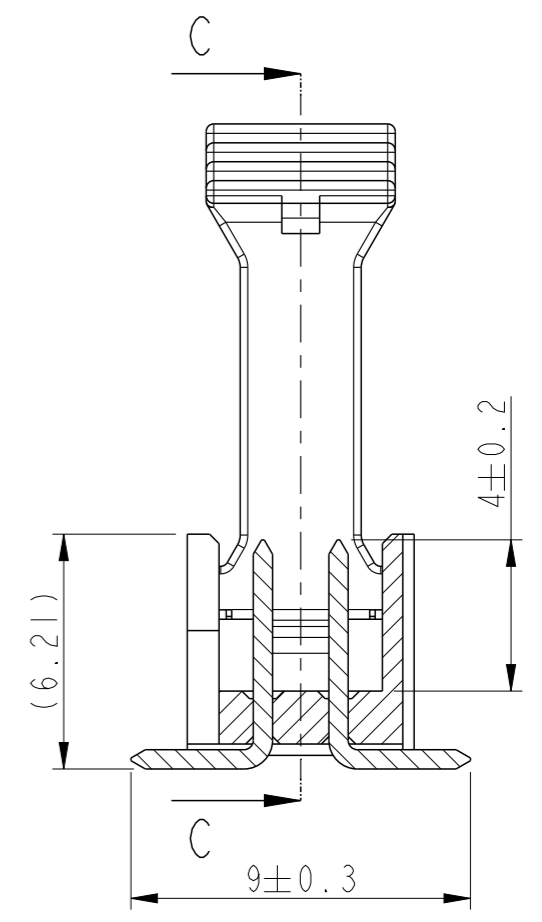
RoHS COMPATIBLE, SEE NOTE 5.



OPENED POSITION



SECTION C-C
 VIEW WITH STANDARD LATCH



SECTION A-A

- NOTES :
- 1- MATERIAL HOUSING: HIGH TEMPERATURE THERMOPLASTIC UL 94 VO . COLOR CREAM.
 - MATERIAL LATCH : HIGH TEMPERATURE THERMOPLASTIC UL 94 VO . COLOR BLACK.
 - 2 - MATERIAL TERMINAL : COPPER ALLOY
 - 3- PIN RETENTION IN EITHER DIRECTION : 7N MIN
 - 4 - PACKAGING
 U= TUBE WITHOUT PICK UP CAP.
 B= TUBE WITH PICK UP CAP.
 A= TAPE & REEL WITH PICK UP CAP.
 - 5- ROHS COMPATIBLE PRODUCT SPECIFICATIONS :
 a- PLATING :
 "LF" MEANS THE PRODUCT IS LEAD FREE
 2µm MINIMUM MATTE TIN ON TAIL OVER 1.27 µm NICKEL UNDERPLATE
 b- MANUFACTURING PROCESS COMPATIBILITY
 THE HOUSING WILL WITHSTAND EXPOSURE TO 260 °C PEAK TEMPERATURE FOR 30 SECONDS MAX IN A CONVECTION, INFRA RED, VAPOR PHASE OR REFLOW OVEN
 c- LABELLING
 MEETS PACKAGING SPECS AS PER GS-14-920.
 d- THIS PRODUCT MEETS EUROPEAN DIRECTIVES AND OTHER COUNTRY REGULATION AS DESCRIBED IN GS-47-0004.

spec ref	-	dr	Sawanth, Ambaa	2020/12/10	projection	mm	size	A3	scale	5:1
tolerance std	ISO 406 ISO 1101	eng	Detouillon, Da	2021/06/14			ecn no	ELX-F-41176-1		
TOLERANCES UNLESS OTHERWISE SPECIFIED		chr	-	appr			Wollin, Severi	2021/06/14	product family	-
surface	linear	0.X	±0.3	Amphenol FCI		EJECT LATCH HEADER VERTICAL SMT		cat. no.	Product - Customer Drw	sheet 1 of 2
	angular	0°	±2°							

Looking for pricing, stock, or lifecycle information?

Click below to explore more details on WIN SOURCE:

 [View 10078995-G02-14ALF](#) on WIN SOURCE

 [Amphenol](#) Information

Optimize Your Supply Chain with WIN SOURCE Solutions

-  Global Sourcing Solution
-  Obsolete Management
-  Cost Control Management
-  Shortage Management
-  Alternative Solution
-  Excess Inventory Management