



**THE DATASHEET OF  
EVANF3R15B14**



### Mono Faders for Audio Mixers Slide Potentiometers

Japan  
Malaysia

Type: **EVANF**



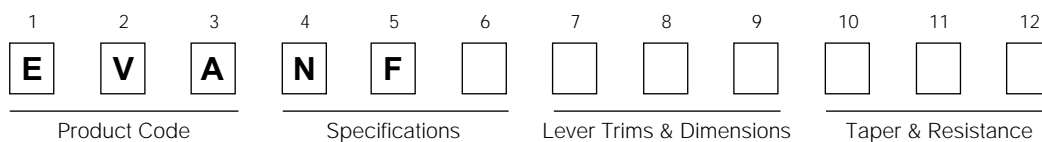
#### ■ Features

- Slim-type fader series: Width=9.0 mm, Height=8.0 mm
- Excellent cost performance for mid and low level audio mixers

#### ■ Recommended Applications

- Fade control for audio mixers (popular type)
- MTR (Multi-track recorders)
- Paper position sensors (detectors) for PPC

#### ■ Explanation of Part Numbers



#### ■ Specifications

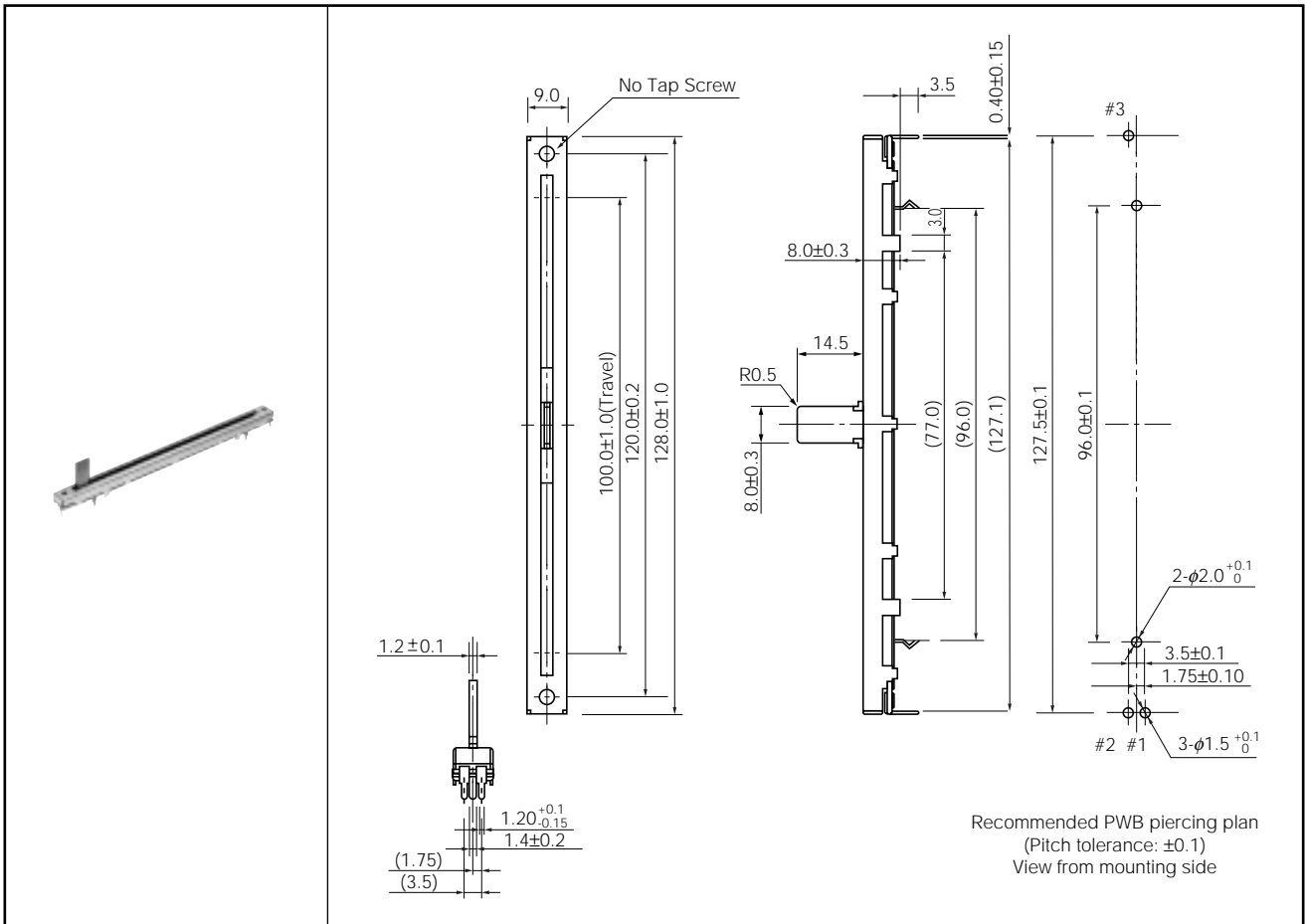
	Taper		Others
	100.0 mm Type	Taper B	
Power Rating	0.5 W	0.25 W	0.25 W
Max. Operating Voltage: 30 Vac			
Resistance *	5 kΩ, 10 kΩ, 20 kΩ	±20 %	+40 % -20 %
Taper *	A, B, D, Y		
Maximum Attenuation	100 dB min. (Except taper B)		
Operating Force	0.1 N to 1.0 N		
Operating Life	50000 cycles min.		
Minimum Quantity/Packing Unit	100 pcs. (Tray Pack)		
Quantity/Carton	500 pcs.		

Note: Customer's design for Lever Shape can be also negotiable.

Design and specifications are each subject to change without notice. Ask factory for the current technical specifications before purchase and/or use. Should a safety concern arise regarding this product, please be sure to contact us immediately.



■ Dimensions in mm (not to scale)

- 100.0 mm Travel, Single.....EVANF



## Looking for pricing, stock, or lifecycle information?

Click below to explore more details on WIN SOURCE:

-  [View EVANF3R15B14 on WIN SOURCE](#)
-  [Panasonic Information](#)

## Optimize Your Supply Chain with WIN SOURCE Solutions

-  Global Sourcing Solution
-  Obsolete Management
-  Cost Control Management
-  Shortage Management
-  Alternative Solution
-  Excess Inventory Management