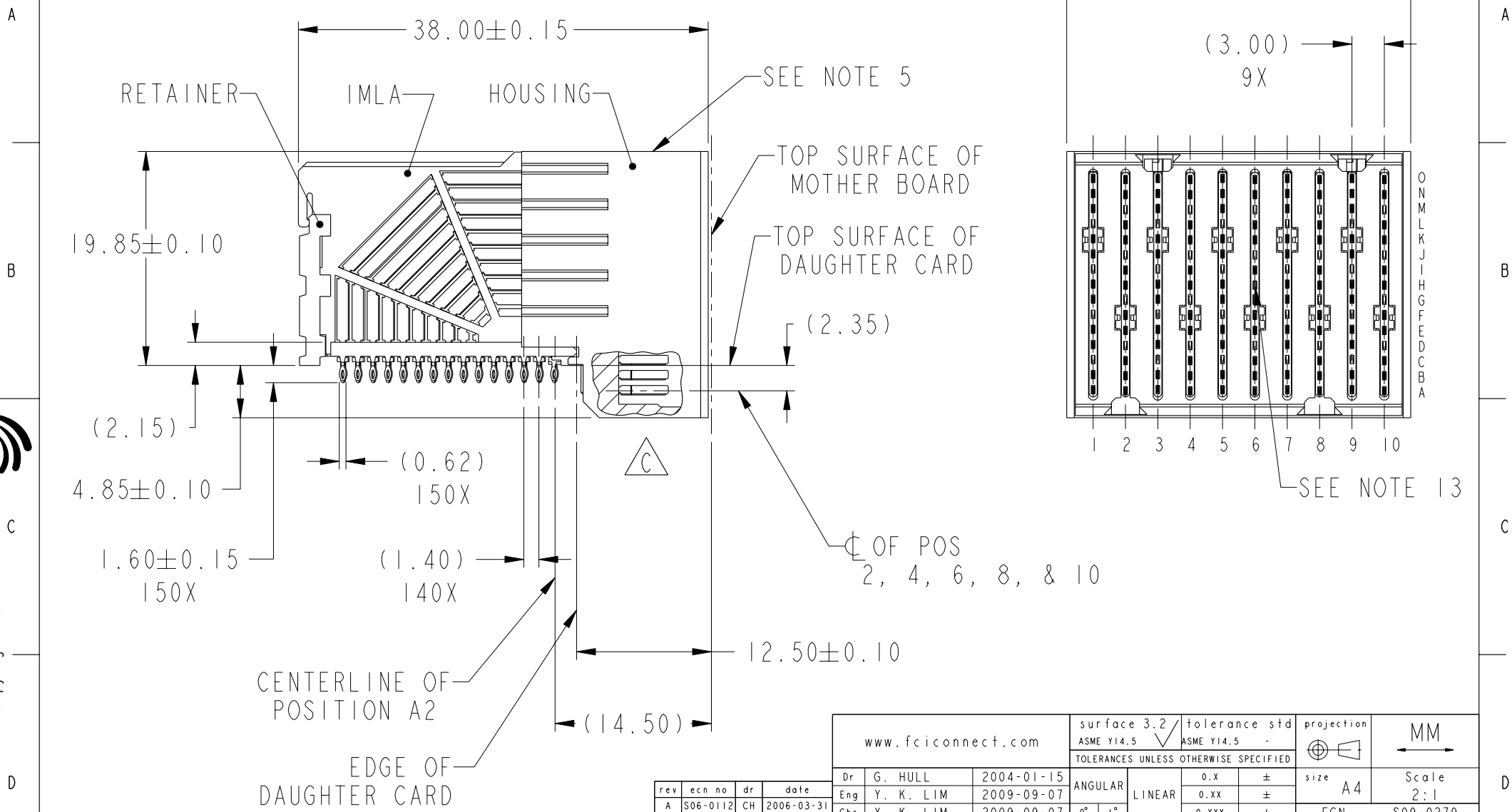




THE DATASHEET OF
10037324-101LF



Product number
SEE TABLE, SHEET 5



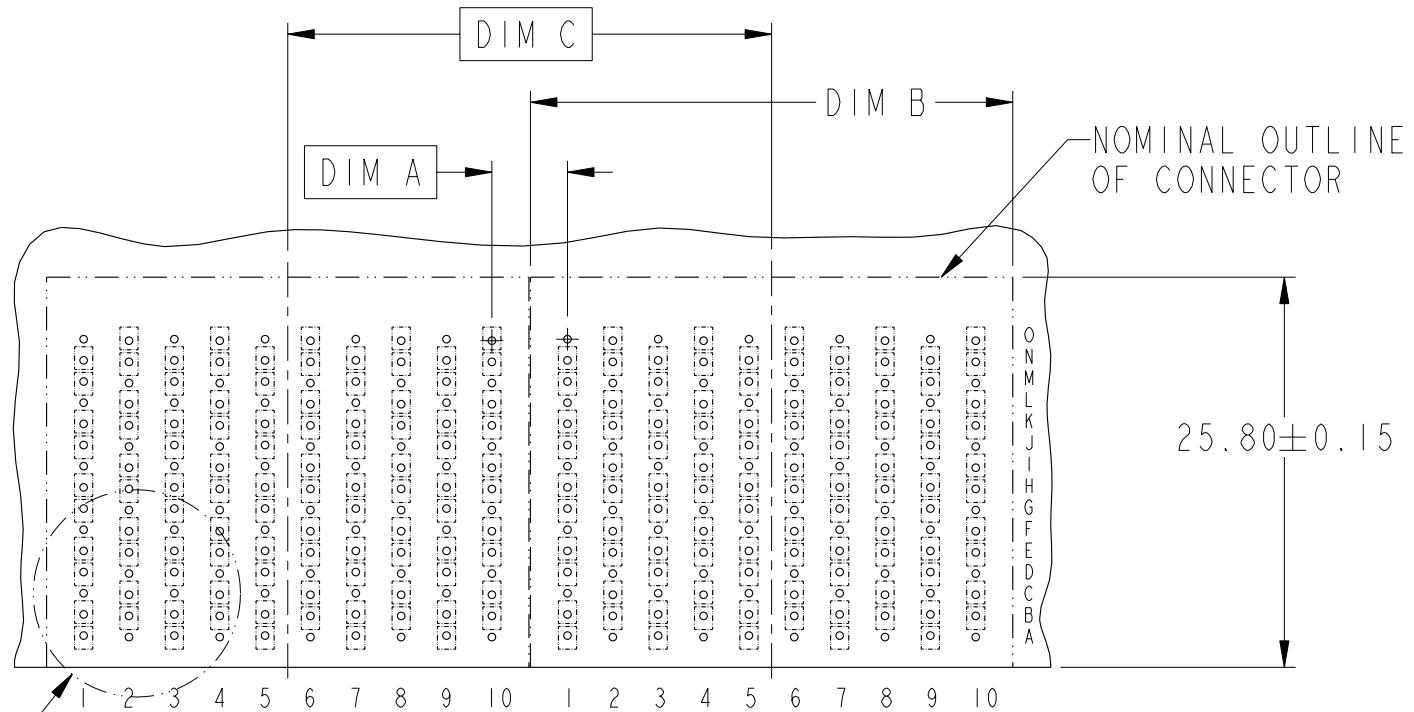
Copyright FCI.

rev	ecn no	dr	date
A	S06-0112	CH	2006-03-31
B	S06-0374	DG	2006-12-21
C	S09-0279	YK	2009-09-07
-	-	-	-
-	-	-	-
-	-	-	-

www.fciconnect.com		surface 3.2 ASME Y14.5	tolerance std ASME Y14.5	projection MM
Dr G. HULL 2004-01-15		TOLERANCES UNLESS OTHERWISE SPECIFIED		Scale 2:1
Eng Y. K. LIM 2009-09-07		ANGULAR	0.X ±	size A4
Chr Y. K. LIM 2009-09-07		LINEAR	0.XX ±	ECN S09-0279
Appr JOEY NG 2009-09-07		0° ±°	0.XXX ±	Spec ref
Product family AirMax VS		dwg no 10037324		
AirMax VS R/A HEADER ASSY		Rev. C		
PRESS-FIT, 150 POS, 32MM		CUSTOMER sheet 1 of 5		
catalog no				

REV F - 2006-04-17

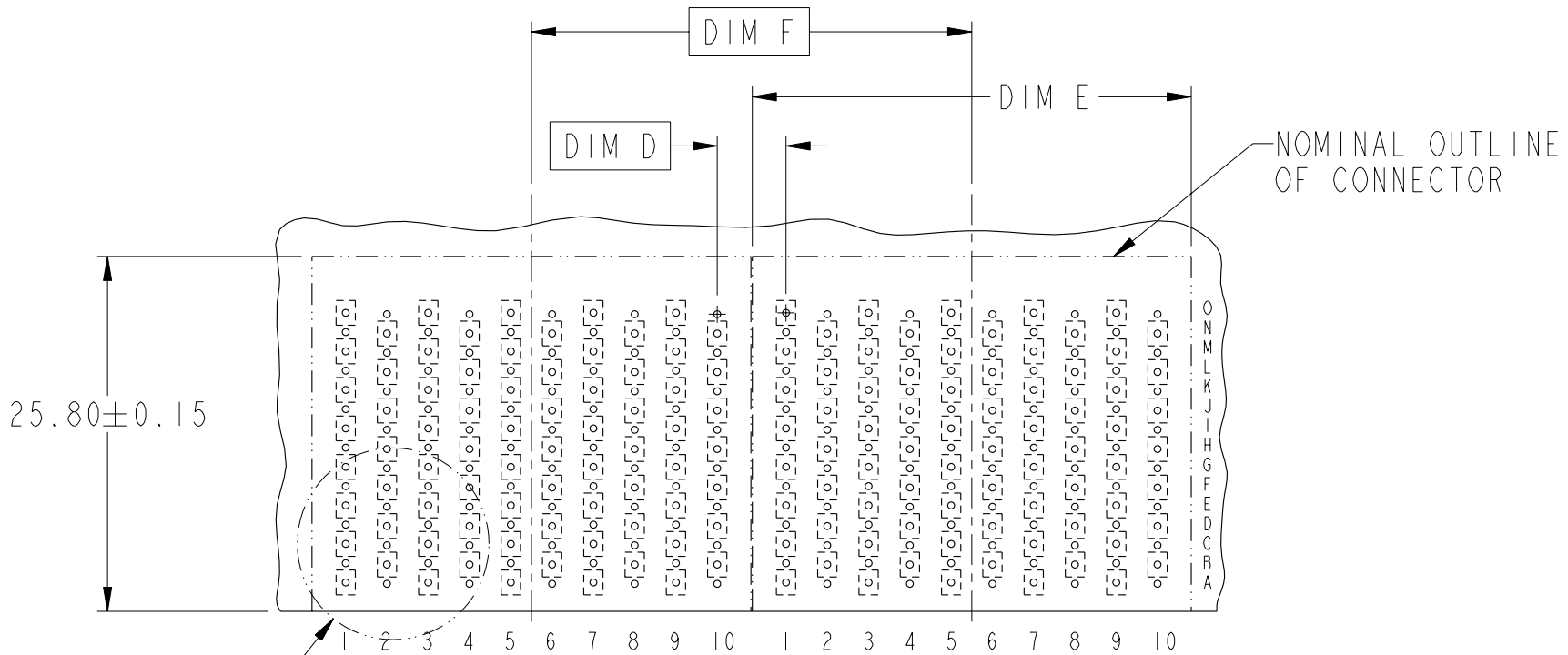
DESCRIPTION	DIM A	DIM B	DIM C
2-32MM MODULES PLACED END-TO-END	5.00	31.90 2X	32.00
1-30MM MODULE & 1-32MM MODULE PLACED END-TO-END	4.00	29.90 1X & 31.90 1X	31.00



DETAIL A
 RECOMMENDED PCB LAYOUT
 FOR DIFFERENTIAL APPLICATIONS
 COMPONENT SIDE
 (TWO ADJACENT FOOTPRINTS SHOWN)
 NOTES 6 & 7

	title AirMax VS R/A HEADER ASSY PRESS-FIT, 150 POS, 32MM	dwg no 10037324	Rev. C
	catalog no -	CUSTOMER	sheet 2 of 5

DESCRIPTION	DIM D	DIM E	DIM F
2-32MM MODULES PLACED END-TO-END	5.00	31.90 2X	32.00
1-30MM MODULE & 1-32MM MODULE PLACED END-TO-END	4.00	29.90 1X & 31.90 1X	31.00



RECOMMENDED PCB LAYOUT
 FOR SINGLE ENDED APPLICATIONS
 COMPONENT SIDE
 (TWO ADJACENT FOOTPRINTS SHOWN)
 NOTES 6 & 7

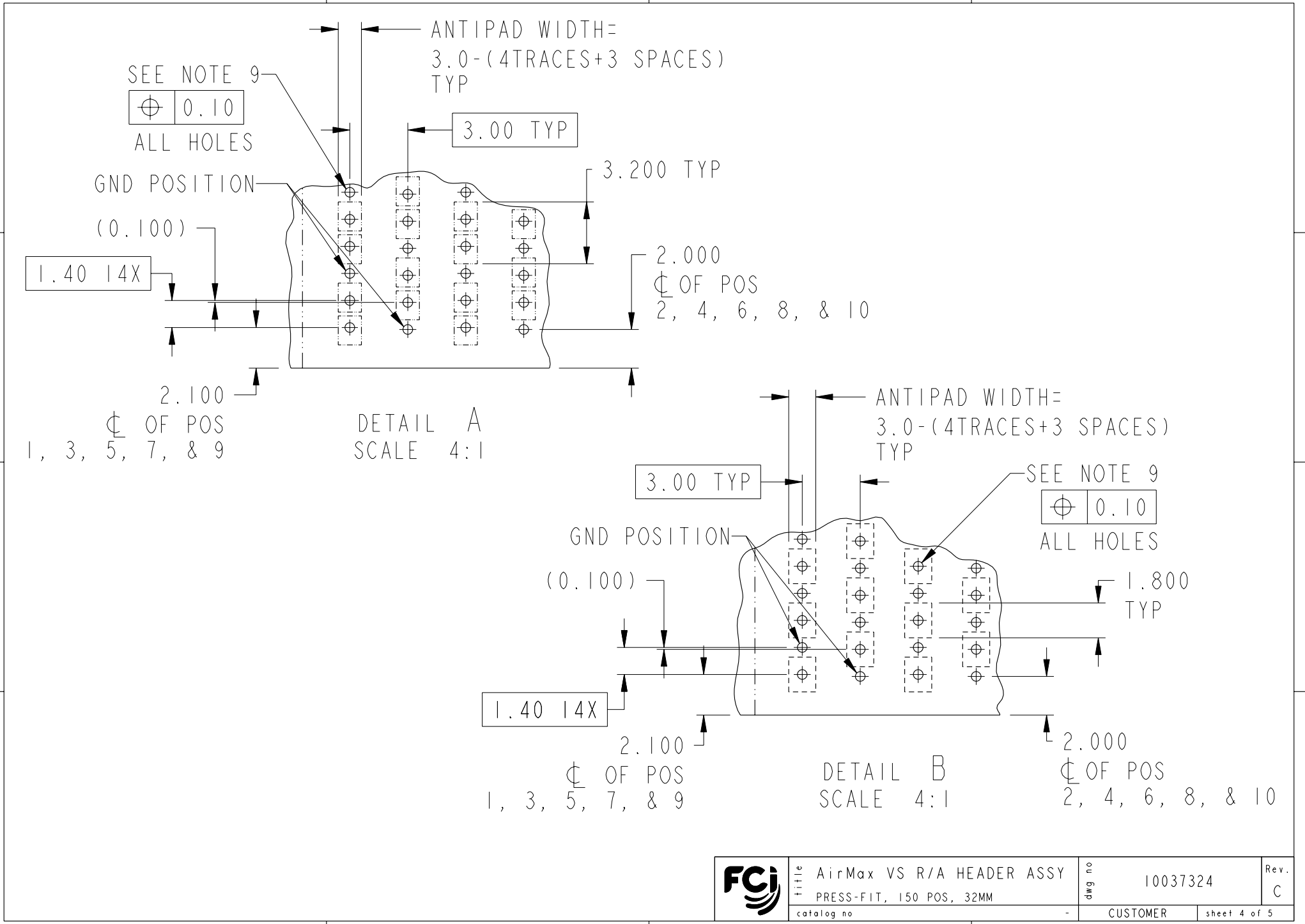


Copyright FCI.

	title AirMax VS R/A HEADER ASSY PRESS-FIT, 150 POS, 32MM	dwg no 10037324	Rev. C
	catalog no -	CUSTOMER	sheet 3 of 5



Copyright FCI.



REV F - 2006-04-17

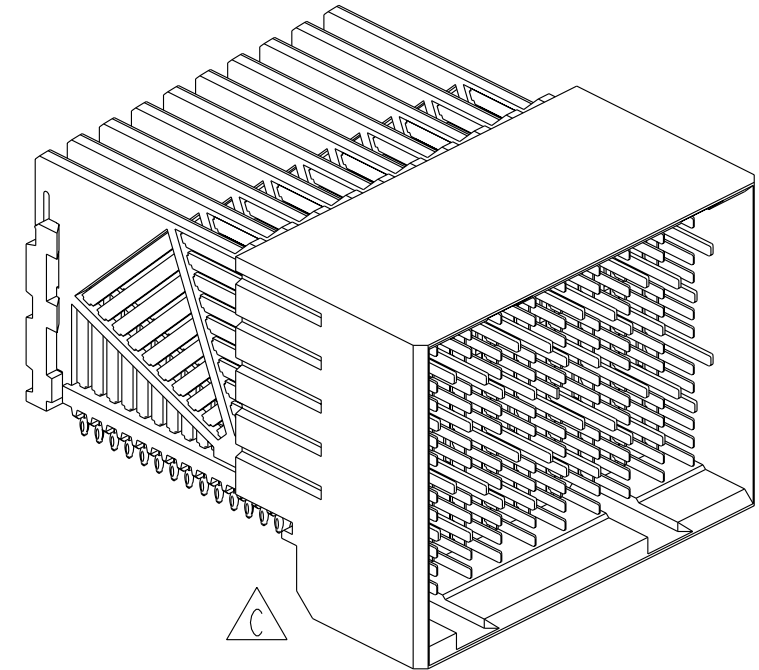


AirMax VS R/A HEADER ASSY
 PRESS-FIT, 150 POS, 32MM
 catalog no -

dwg no 10037324
 CUSTOMER sheet 4 of 5


Rev. C

PART NUMBER	PRESS-FIT TAIL PLATING TYPE	SHORT DETECT CONTACT
10037324-101	TIN/LEAD ALLOY OVER NICKEL	NO
10037324-101LF	TIN OVER NICKEL (LEAD FREE)	
10037324-111	TIN/LEAD ALLOY OVER NICKEL	YES (SEE NOTE 13)
10037324-111LF	TIN OVER NICKEL (LEAD FREE)	



NOTES:

1. CONNECTOR MATERIALS:
HOUSING & RETAINER: HIGH TEMP THERMOPLASTIC, NATURAL, UL94V-0
IMLA PLASTIC: HIGH TEMP THERMOPLASTIC, BLACK, UL94V-0
CONTACT: COPPER ALLOY
2. CONTACT PLATING:
SEPARABLE INTERFACE:
PERFORMANCE-BASED PLATING, QUALIFIED TO MEET THE REQUIREMENTS OF FCI PRODUCT SPECIFICATION GS-12-239 INCLUDING TELCORDIA GR-1217-CORE (NOVEMBER 1995) CENTRAL OFFICE TEST SEQUENCE

PRESS-FIT TAILS: SEE TABLE
3. PRODUCT SPECIFICATION: GS-12-239
4. APPLICATION SPECIFICATION: GS-20-035
5. PRODUCT MARKING, (PART NUMBER & LOT CODE), ON THIS SURFACE
6. REFER TO CUSTOMER DRAWING 10035911 FOR INFORMATION REGARDING PCB LAYOUT OF POWER AND GUIDE MODULES RELATIVE TO SIGNAL MODULES
7. POSITIONS F AND L OF ODD NUMBERED COLUMNS AND POSITIONS G AND M OF EVEN NUMBERED COLUMNS CORRESPOND TO EARLY MATE HEADER PINS
8. THERE IS NO GROUND BUSSING WITHIN THE CONNECTOR SYSTEM
9. REFER TO CUSTOMER DRAWING 10045979 FOR INFORMATION ON PCB HOLE DIAMETERS AND PLATING OPTIONS.
10. LEAD FREE PRODUCT MEETS EUROPEAN UNION DIRECTIVES & OTHER COUNTRY REGULATIONS AS DESCRIBED IN GS-22-008.
11. THE HOUSING WILL WITHSTAND EXPOSURE TO 260°C PEAK TEMPERATURE FOR 40 SECONDS IN A CONVECTION, INFRA-RED OR VAPOR PHASE REFLOW OVEN.
12. PACKAGING MEETS GS-14-920 LEAD FREE LABELING SPECIFICATION.
13. MATING PIN H6 HAS 0.5mm LESS WIPE THAN THE SHORTEST SIGNAL PIN.
14. A  SYMBOL WILL BE NEXT TO ANY DIMENSION, VIEW, OR NOTE WHICH HAS BEEN MODIFIED WITH THE CURRENT DRAWING REVISION.

	title AirMax VS R/A HEADER ASSY PRESS-FIT, 150 POS, 32MM	dwg no 10037324	Rev. C
	catalog no -	CUSTOMER	sheet 5 of 5

Looking for pricing, stock, or lifecycle information?

Click below to explore more details on WIN SOURCE:

 [View 10037324-101LF on WIN SOURCE](#)

 [Amphenol Information](#)

Optimize Your Supply Chain with WIN SOURCE Solutions

-  Global Sourcing Solution
-  Obsolete Management
-  Cost Control Management
-  Shortage Management
-  Alternative Solution
-  Excess Inventory Management