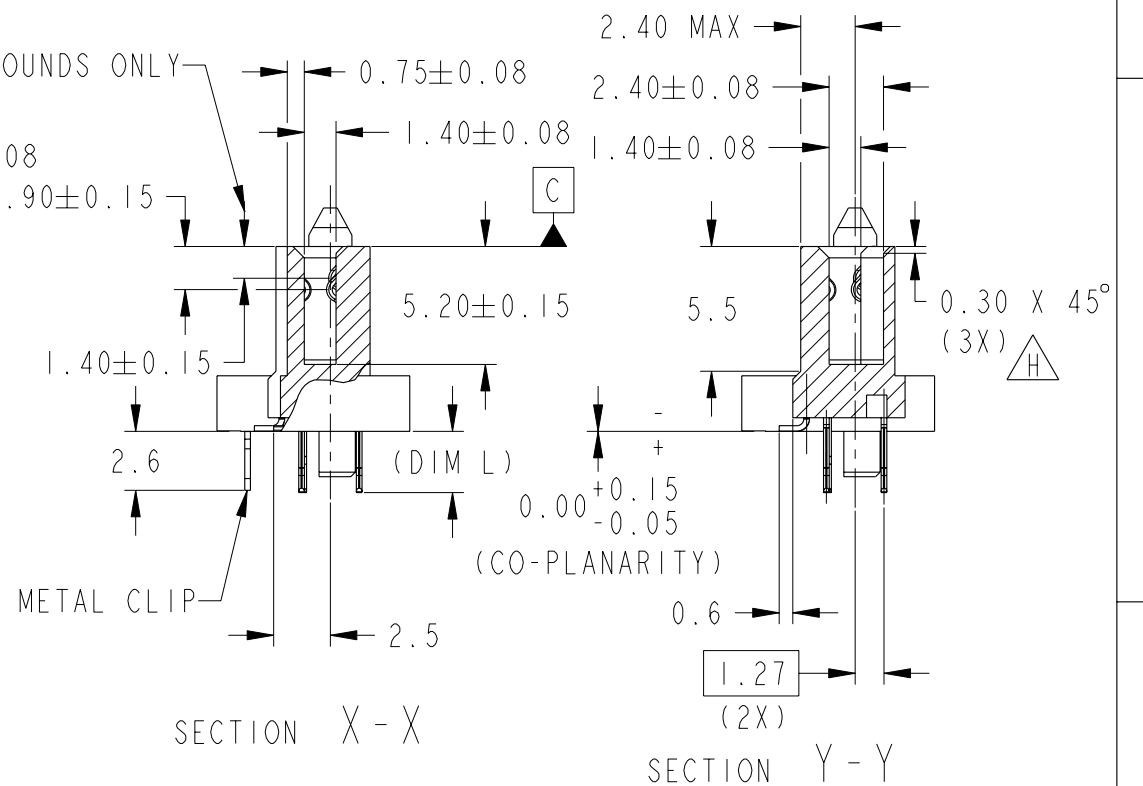
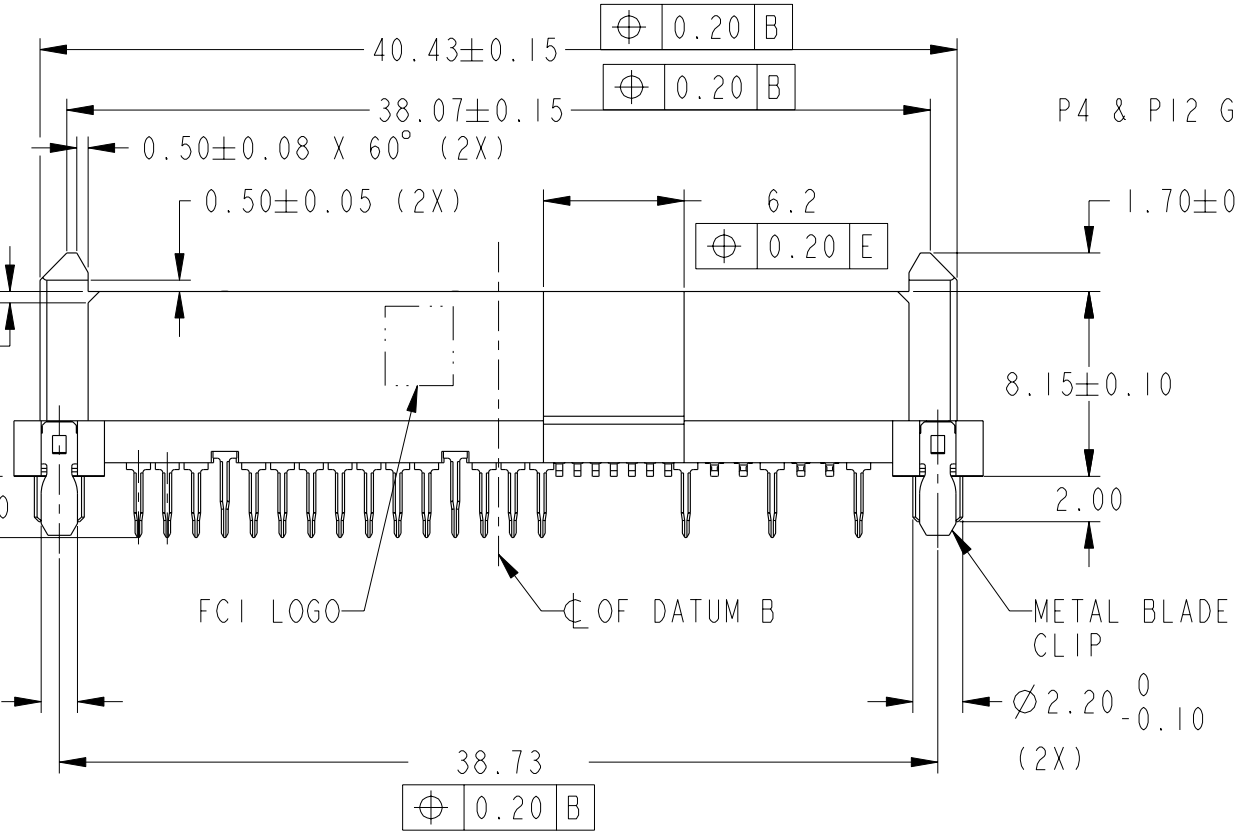
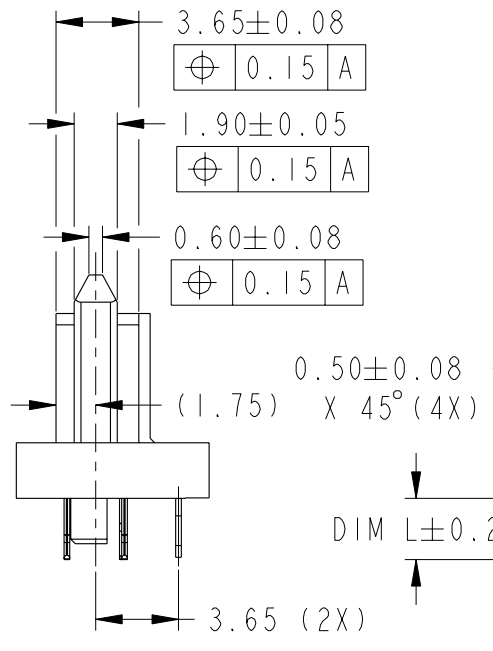
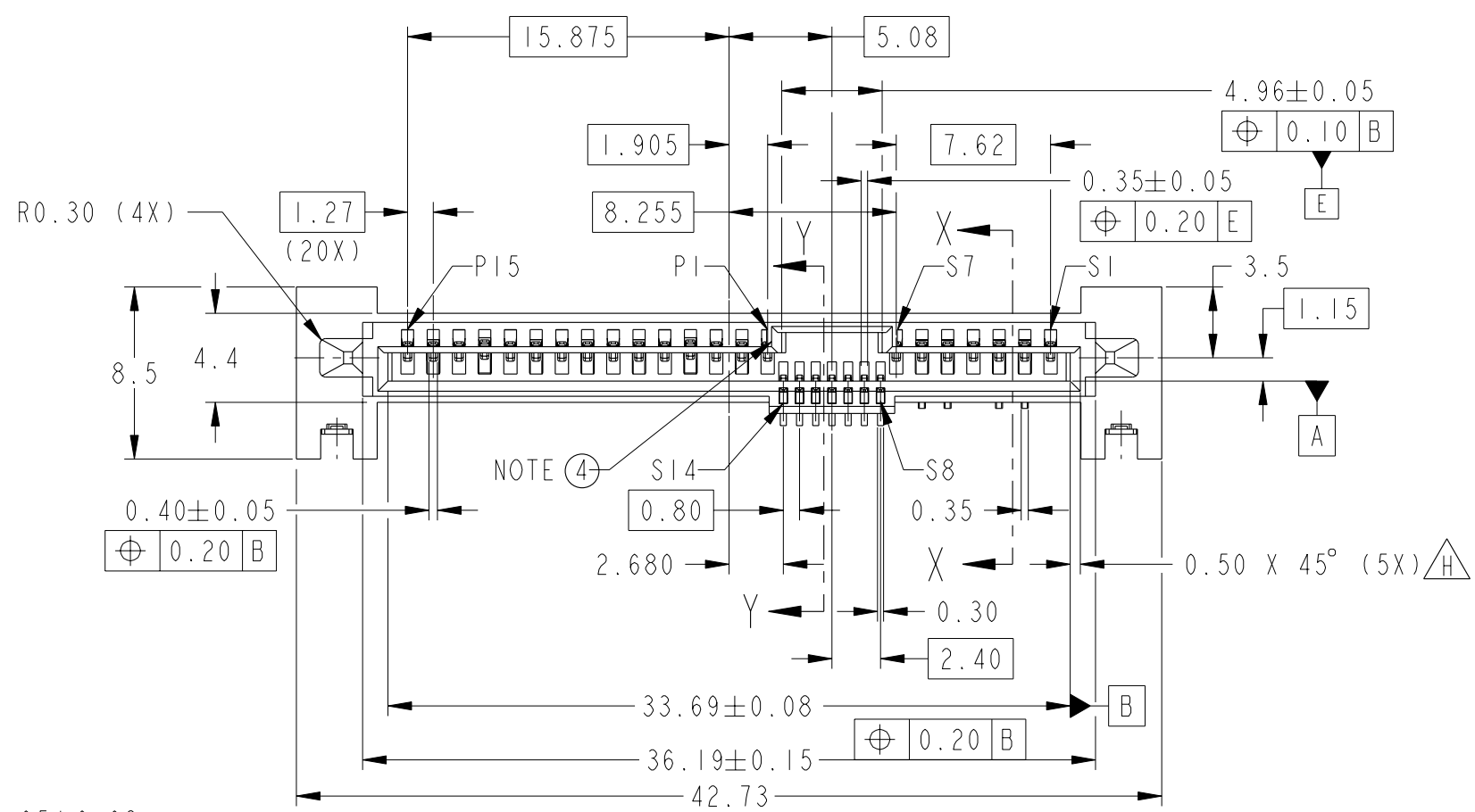




**THE DATASHEET OF
10036876-003C-TRLF**



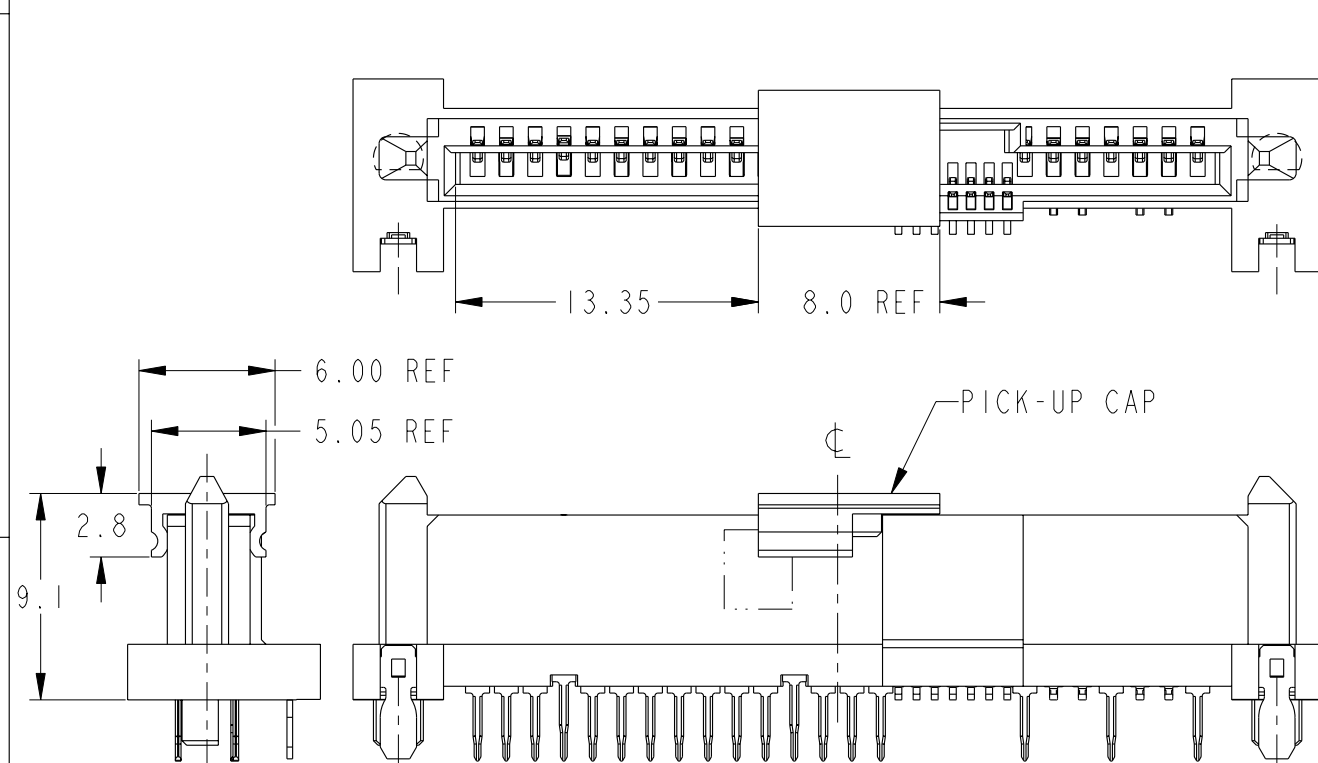
PRODUCT NO
SEE TABLE



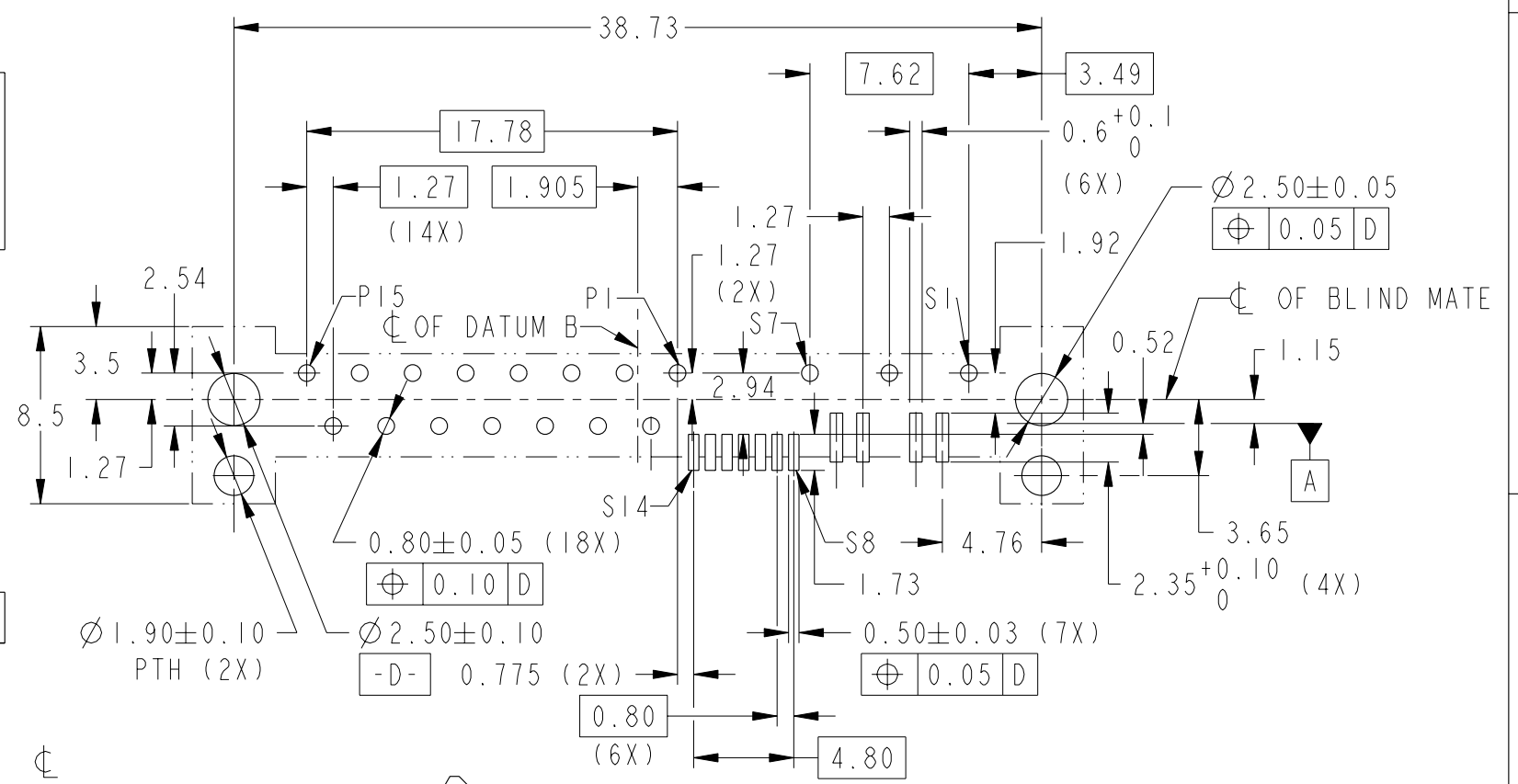
Copyright FCI.

spec ref	-	dr	GL LOO	2005-02-23	projection	MM	size	A3	scale	3:1
tolerance std	ISO 406 ISO 1101	eng	GL LOO	2005-02-23			ecn no	S10-0228	rel level	-
TOLERANCES UNLESS OTHERWISE SPECIFIED		chr	GL LOO	2010-10-28						
surface	ISO 1302	appr	JOEY NG	2010-10-28	SAS RECEPTACLE WIDE BASE HYBRID TYPE ASSY		dwg no	10036876	rev	H
					cat. no.	-	Product - Customer Drw		sheet 1 of 3	

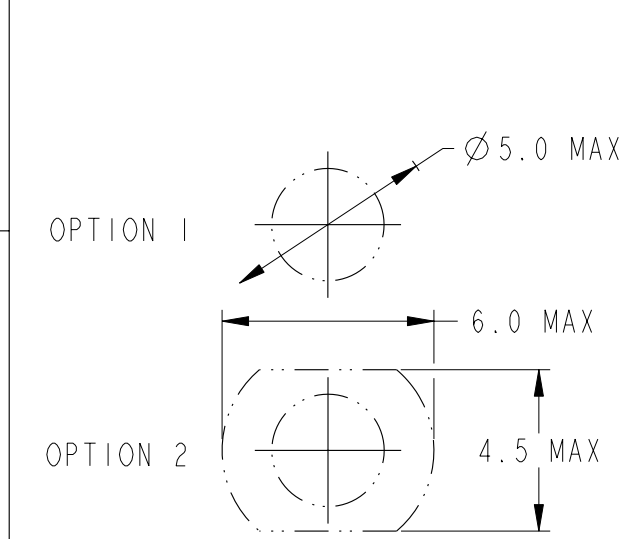
PRODUCT NO	DIM L (SOLDER TAIL)	PICK-UP CAP	RECOMMENDED P.C. BOARD THICKNESS	TYPE OF CLIP	PACKAGING
10036876-003LF	2.70	NO	1.57mm (0.062") / 2.36mm (0.093")	METAL BLADE	TRAY
10036876-003CLF		YES			TAPE & REEL
10036876-003C-TRLF		YES			TAPE & REEL
10036876-013LF	3.70	NO	2.36mm (0.093")	METAL BLADE	TRAY
10036876-013CLF		YES			TAPE & REEL
10036876-013C-TRLF		YES			TAPE & REEL
10036876-004LF	2.70	NO	2.36mm (0.093")	FORK LOCK	TRAY
10036876-014LF	3.70	NO	2.36mm (0.093")	FORK LOCK	TRAY



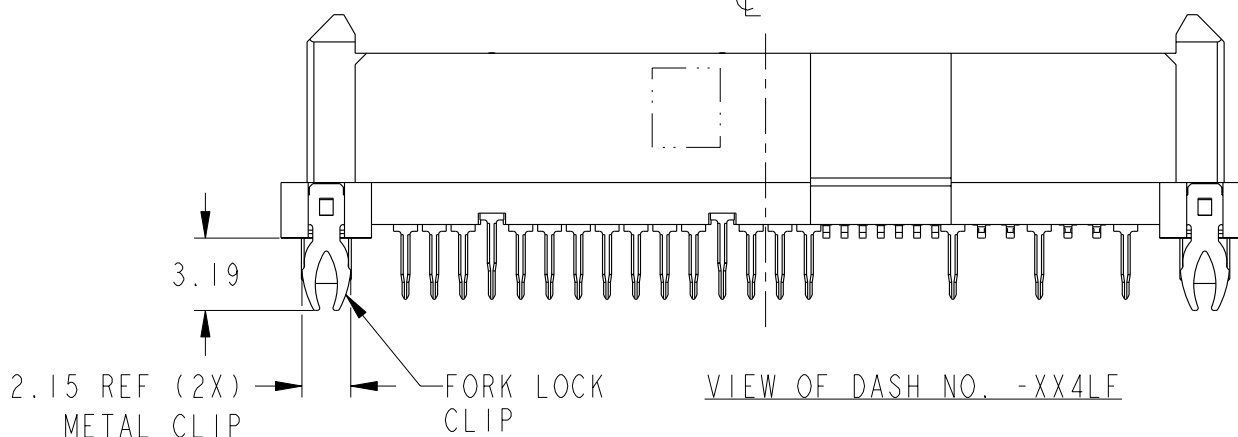
PART WITH PICK-UP CAP, SEE NOTE ⑤



RECOMMENDED PCB LAYOUT



RECOMMENDED SUCTION HEAD SIZE




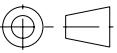


VIEW OF DASH NO. -XX4LF

spec ref	-	dr	GL LOO	2005-02-23	projection	MM	size	A3	scale	3:1
tolerance std	ISO 406 ISO 1101	eng	GL LOO	2005-02-23			ecn no	S10-0228	rel level	-
TOLERANCES UNLESS OTHERWISE SPECIFIED		chr	GL LOO	2010-10-28						
surface	ISO 1302	appr	JOEY NG	2010-10-28			rel level	-		
	linear	0.X	±-							
		0.XX	±0.20							
		0.XXX	±-							
	angular	0°	±2°							

SAS RECEPTACLE WIDE
BASE HYBRID TYPE ASSY
 cat. no. - Product - Customer Drw
 sheet 2 of 3
 rev H
 10036876
 www.fci.com

NOTES:

1. MATERIAL:
 - 1) HOUSING : HIGH TEMP TERMOPLASTIC, UL 94V-0
COLOUR : BLACK
 - 2) TERMINAL : COPPER ALLOY
 - 3) HOLD DOWN : COPPER ALLOY
2. FINISH :
 - 1) TERMINAL : 30µ" Au PLATING (CONTACT POINT) OVER 50µ" NICKEL
 - 2) SOLDER TAIL : 50µ" MIN Sn OVER 50µ" NICKEL
 - 3) HOLD DOWN : 50µ" MIN Sn OVER 50µ" NICKEL
3. -
4. PER SFF REV 1.3
- ⑤ PART WITH PICK-UP CAP, P/N XXXXXXXX-XXXC LF
- ⑥ THE STD PACKAGING IS IN TRAY
7. FOR TAPE & REEL PACKAGING, SUFFIX "-TR" ADDED.
P/N XXXXXXXX-XXXC-TR LF
8. THE HOUSING WILL WITHSTAND EXPOSURE TO 260°C PEAK TEMPERATURE FOR 10 SECONDS IN A CONVECTION, INFRA-RED OR VAPOR PHASE REFLOW OVEN
- ⑨ THIS PRODUCT MEETS EUROPEAN UNION DIRECTIVES AND OTHER COUNTRY REGULATIONS AS DESCRIBED IN GS-22-008
- ⑩ PART NUMBERS ENDING IN "LF" MEANS FOR NOTE 8 LEAD FREE IDENTIFICATION
 - (i) ~~XXXXXXXX-XXXLF IS EQUIVALENT TO PREVIOUS P/N XXXXXXXX-XXX-~~
 - (ii) ~~XXXXXXXX-XXXCLF IS EQUIVALENT TO PREVIOUS P/N XXXXXXXX-XXXC-~~
11. A  SYMBOL WILL BE NEXT TO ANY DIMENSION, VIEW, OR NOTE WHICH HAS BEEN MODIFIED WITH THE CURRENT DRAWING REVISION.

spec ref	-	dr	GL LOO	2005-02-23	projection		size	A3	scale	3:1		
tolerance std	TOLERANCES UNLESS OTHERWISE SPECIFIED	eng	GL LOO	2005-02-23		ecn no	S10-0228					
ISO 406		chr	GL LOO	2010-10-28			rel level	-				
ISO 1101		appr	JOEY NG	2010-10-28				product family S-ATA				
ISO 1302		surface	linear	0.X ±-			www.fci.com		cat. no.	-	Product - Customer Drw	sheet 3 of 3
			0.XX ±0.20			title	SAS RECEPTACLE WIDE		dwg no	10036876	rev	H
			0.XXX ±-									
		angular	0° ±2°									



Copyright FCI.

Looking for pricing, stock, or lifecycle information?

Click below to explore more details on WIN SOURCE:

 [View 10036876-003C-TRLF on WIN SOURCE](#)

 [Amphenol Information](#)

Optimize Your Supply Chain with WIN SOURCE Solutions

-  Global Sourcing Solution
-  Obsolete Management
-  Cost Control Management
-  Shortage Management
-  Alternative Solution
-  Excess Inventory Management