

WIN*SOURCE*
ELECTRONICS

THE DATASHEET OF
100132-1



100132-1 ✓ ACTIVE

TE Internal #: 100132-1

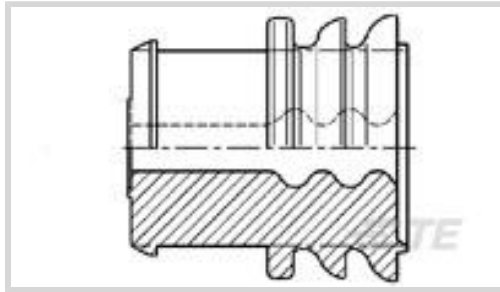
Cavity Plug, Silicone Rubber, Black, -40 – 140 °C [-40 – 284 °F]

Operating Temperature

[View on TE.com >](#)



Connectors > Connector Accessories > Connector Seals & Cavity Plugs



Connector Seal & Plug Type: **Cavity Plug**

Primary Product Material: **Silicone Rubber**

Primary Product Color: **Black**

Shore A Hardness: **50**

Operating Temperature (Max): **140 °C [284 °F]**

Features

Product Type Features

Connector Seal & Plug Type	Cavity Plug
----------------------------	-------------

Body Features

Primary Product Material	Silicone Rubber
Primary Product Color	Black

Usage Conditions

Operating Temperature (Max)	140 °C[284 °F]
Operating Temperature Range	-40 – 140 °C[-40 – 284 °F]

Packaging Features

Packaging Quantity	5000
Packaging Method	Carton

Other

Shore A Hardness	50
------------------	----

Product Compliance

[For compliance documentation, visit the product page on TE.com>](#)

EU RoHS Directive 2011/65/EU	Compliant
EU ELV Directive 2000/53/EC	Compliant
China RoHS 2 Directive MIIT Order No 32, 2016	No Restricted Materials Above Threshold
EU REACH Regulation (EC) No. 1907/2006	

Current ECHA Candidate List: JUNE 2024 (241)
 Candidate List Declared Against: JUNE 2024 (241)
 Does not contain REACH SVHC

Halogen Content

Low Halogen - Br, Cl, F, I < 900 ppm per homogenous material. Also BFR/CFR/PVC Free

Solder Process Capability

Not applicable for solder process capability

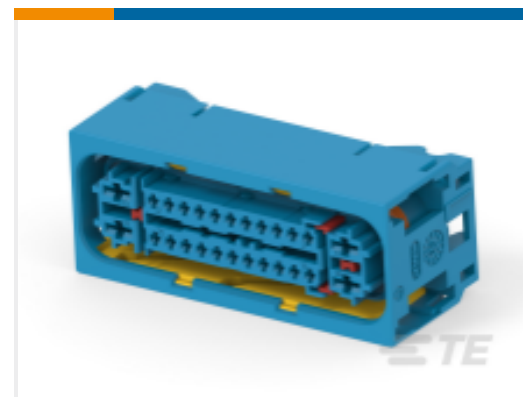
Product Compliance Disclaimer

This information is provided based on reasonable inquiry of our suppliers and represents our current actual knowledge based on the information they provided. This information is subject to change. The part numbers that TE has identified as EU RoHS compliant have a maximum concentration of 0.1% by weight in homogenous materials for lead, hexavalent chromium, mercury, PBB, PBDE, DBP, BBP, DEHP, DIBP, and 0.01% for cadmium, or qualify for an exemption to these limits as defined in the Annexes of Directive 2011/65/EU (RoHS2). Finished electrical and electronic equipment products will be CE marked as required by Directive 2011/65/EU. Components may not be CE marked. Additionally, the part numbers that TE has identified as EU ELV compliant have a maximum concentration of 0.1% by weight in homogenous materials for lead, hexavalent chromium, and mercury, and 0.01% for cadmium, or qualify for an exemption to these limits as defined in the Annexes of Directive 2000/53/EC (ELV). Regarding the REACH Regulation, the information TE provides on SVHC in articles for this part number is based on the latest European Chemicals Agency (ECHA) 'Guidance on requirements for substances in articles' posted at this URL: <https://echa.europa.eu/guidance-documents/guidance-on-reach>

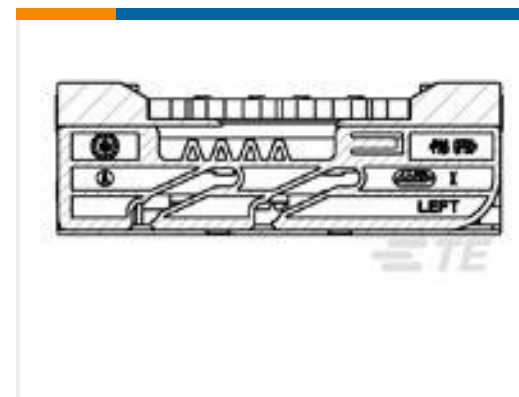
Compatible Parts



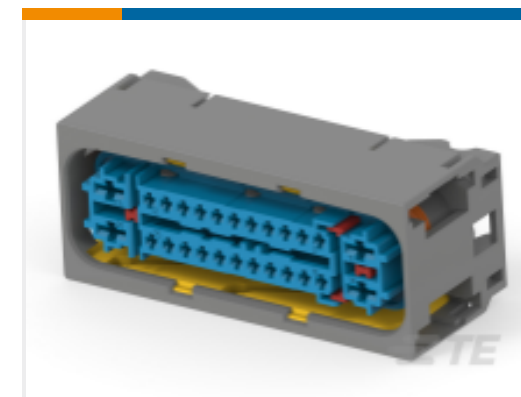
TE Part # CAT-T4827-CH8172
 Timer Connector Housing



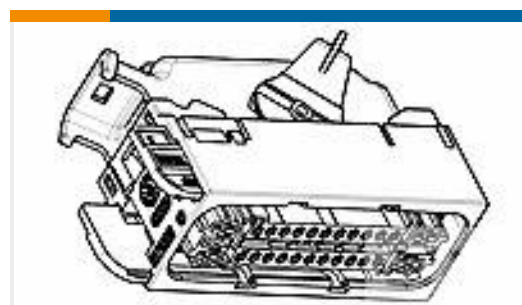
TE Part # 1-1379208-1
 26W ASSY RECEPTACLE HSG



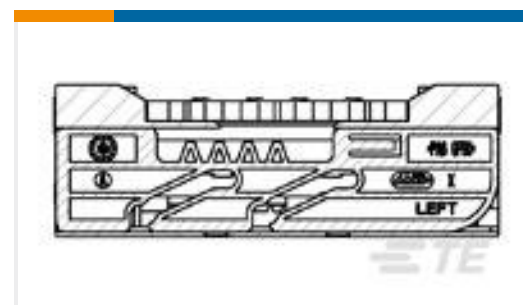
TE Part # 953756-1
 47W RCPT HSG ASSY



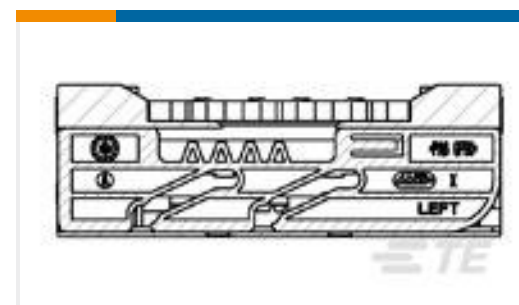
TE Part # 1379208-3
 26W ASSY RECEPTACLE HSG



TE Part # 1379208-4
 26W ASSY RECEPTACLE HSG



TE Part # 953756-7
 47W RCPT HSG ASSY



TE Part # 953756-9
 47W RCPT HSG ASSY

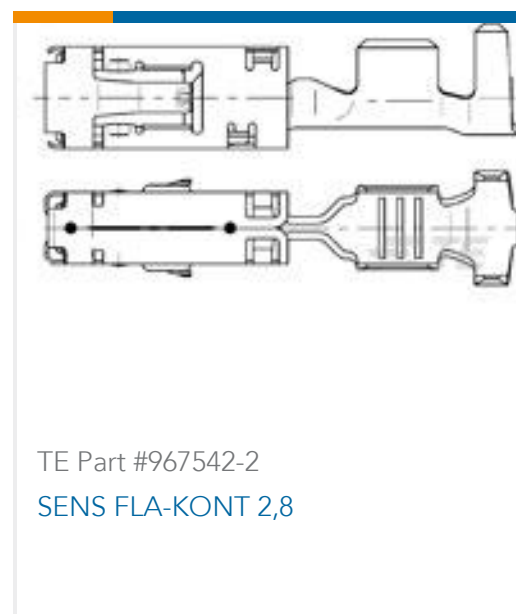
Customers Also Bought



TE Part #1473284-1
MICRO TIMER II 6POS PLUG ASSY



TE Part #927836-2
TIMER, RECEPTACLE AND TAB



TE Part #967542-2
SENS FLA-KONT 2,8



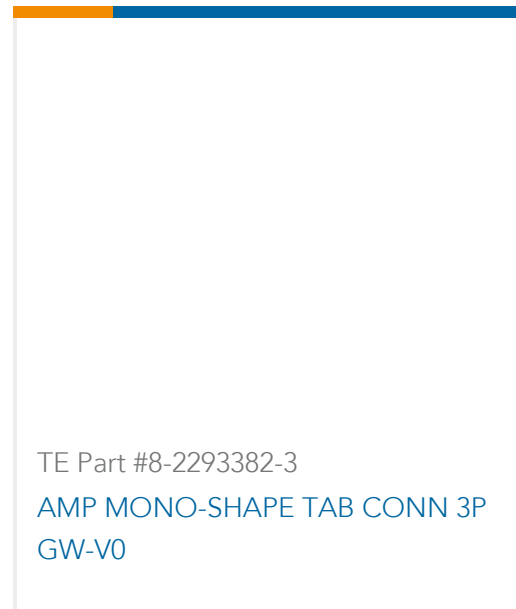
TE Part #1473288-1
MICRO TIMER II 6POS SECONDARY



TE Part #1-480700-1
03P UMNL PLUG HSG BRN



TE Part #2005390-6
JPT SLD 3P PLUG ASSY-1S BLK



TE Part #8-2293382-3
AMP MONO-SHAPE TAB CONN 3P
GW-V0



TE Part #2177472-1
73POS, MIXED,REC HSG,ASSY,BK
GW-V0



TE Part #3-2005475-2
PCU SLD 105P PLUG ASSY(B-RH)

Documents

Product Drawings

CAVITY PLUG

English

CAD Files

Customer View Model

[ENG_CVM_100132-1_A3.3d_igs.zip](#)

English

Customer View Model

[ENG_CVM_100132-1_A3.3d_stp.zip](#)

English

Customer View Model

[ENG_CVM_100132-1_A3.2d_dxf.zip](#)

English

3D PDF

English

By downloading the CAD file I accept and agree to the [Terms and Conditions](#) of use.

Product Specifications



Application Specification

French

Instruction Sheets

Instruction Sheet (non U.S.)

French

Looking for pricing, stock, or lifecycle information?

Click below to explore more details on WIN SOURCE:

[View 100132-1 on WIN SOURCE](#)

[TE Connectivity Information](#)

Optimize Your Supply Chain with WIN SOURCE Solutions

- ✓ Global Sourcing Solution
- ✓ Obsolete Management
- ✓ Cost Control Management
- ✓ Shortage Management
- ✓ Alternative Solution
- ✓ Excess Inventory Management