

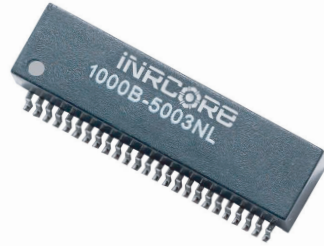


**THE DATASHEET OF  
1000B-5002XNL**



# 1000BASE-T SINGLE & DUAL PORT TRANSFORMER MODULES

Ruggedized



- ⊗ Compliant with IEEE 802.3 standards
- ⊗ 350μH OCL with 8mA DC bias at extended temperatures
- ⊗ Dielectric Withstanding Voltage (DWV): 1500 Vrms
- ⊗ Storage Temperature: -55°C to +125°C
- ⊗ Operating Temperature:
  - 1000B-5001/5002/5003: -40°C to +85°C
  - 1000B-5001X/5002X/5003X: -55°C to +125°C
- ⊗ Epoxy Encapsulated Package
- ⊗ Lead Finish: Sn63/Pb37
- ⊗ Moisture Sensitivity Level: 3

## Electrical Specifications @ 25°C

Part Number	Insertion Loss (dB MAX)				Return Loss (dB MIN)				Crosstalk (dB MIN)			CM to CM Rejection (dB MIN)			DM to CM Rejection (dB MIN)		
	0.10 MHz	30 MHz	60 MHz	100 MHz	30 MHz	60 MHz	80 MHz	100 MHz	30 MHz	60 MHz	100 MHz	30 MHz	60 MHz	100 MHz	30 MHz	60 MHz	100 MHz
1000B-5001	1.2	1.2	1.2	1.2	18	12	10	8	43	37	33	40	35	30	43	37	30
1000B-5001X	1.4	1.4	1.4	1.4	18	12	10	8	43	37	33	40	35	30	43	37	33
1000B-5002	1.2	1.2	1.2	1.2	18	14	12	10	43	37	33	40	35	30	43	37	33
1000B-5002X	1.2	1.2	1.2	1.2	18	14	12	10	43	37	33	40	35	30	43	37	33
1000B-5003	1.2	1.2	1.2	1.2	18	14	11	9	43	37	33	40	35	30	43	37	33
1000B-5003X	1.2	1.2	1.2	1.2	18	14	11	9	43	37	33	40	35	30	43	37	33

### NOTES:

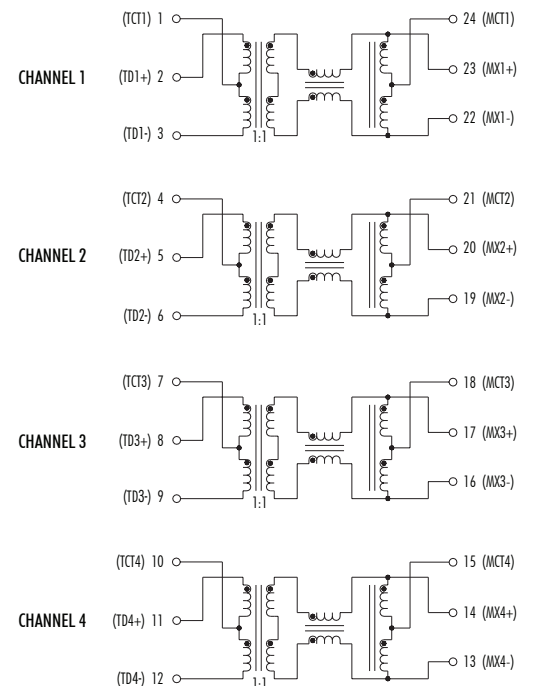
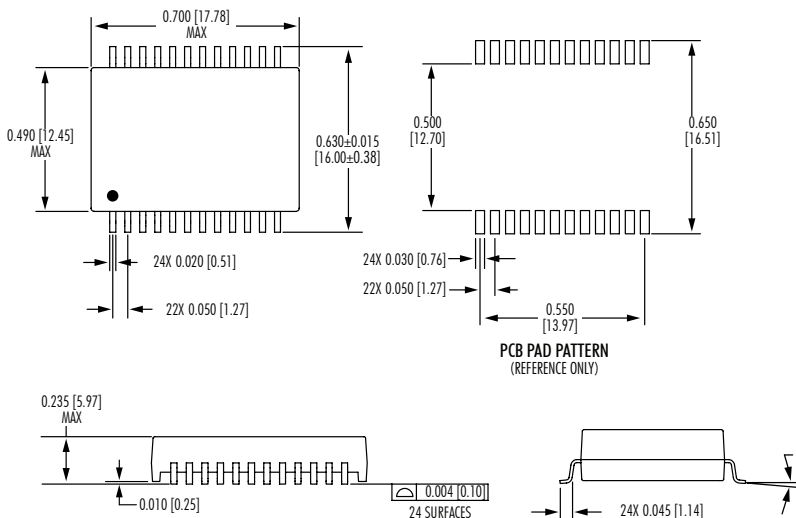
- Add suffix "NL" for RoHS compliant version; i.e. 1000B-5001 becomes **1000B-5001NL**. (For NL version of 5003/5003X, MSL = 4) NL parts have 100% SN Lead Finish.
- For Tape & Reel packaging, add "T" suffix at the end of the part number: i.e. **1000B-5001NLT**

### Mechanicals

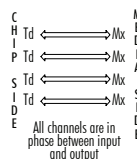
### Electrical Schematics

#### 1000B-5001/X

Dimensions: inch [mm]  
Tolerance (unless otherwise specified): ±0.010 [0.25]



#### LEGEND



# 1000BASE-T SINGLE & DUAL PORT TRANSFORMER MODULES

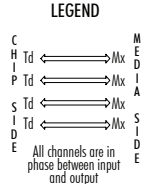
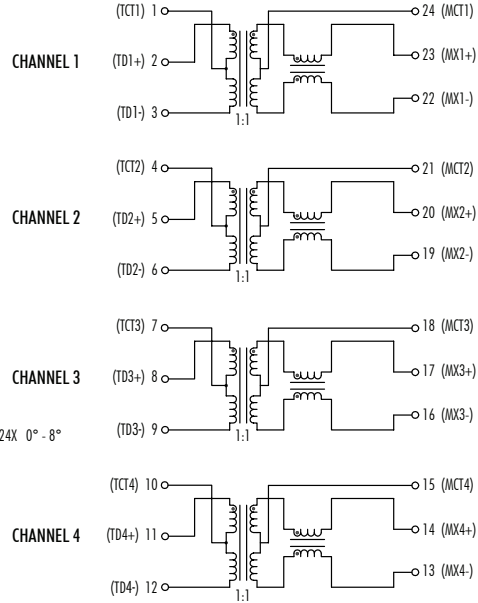
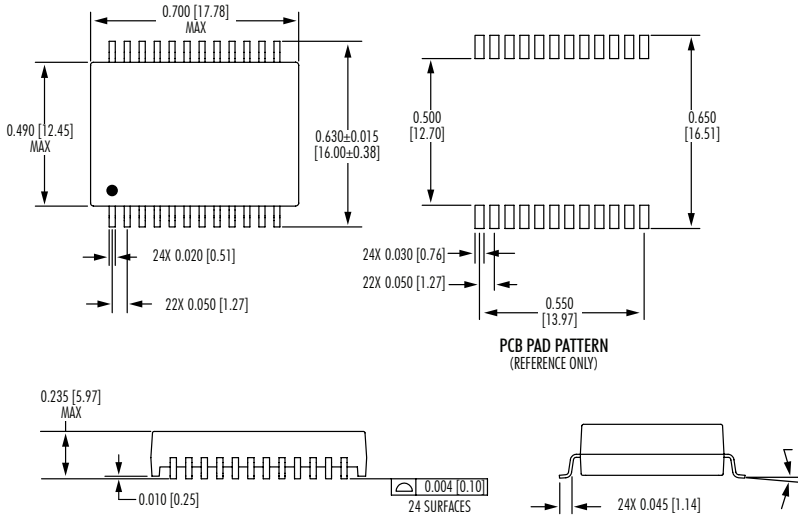
Ruggedized

## Mechanicals

## Electrical Schematics

1000B-5002/X

Dimensions: inch [mm]  
Tolerance (unless otherwise specified): ±0.010 [0.25]

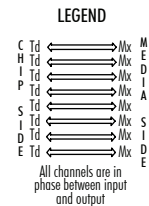
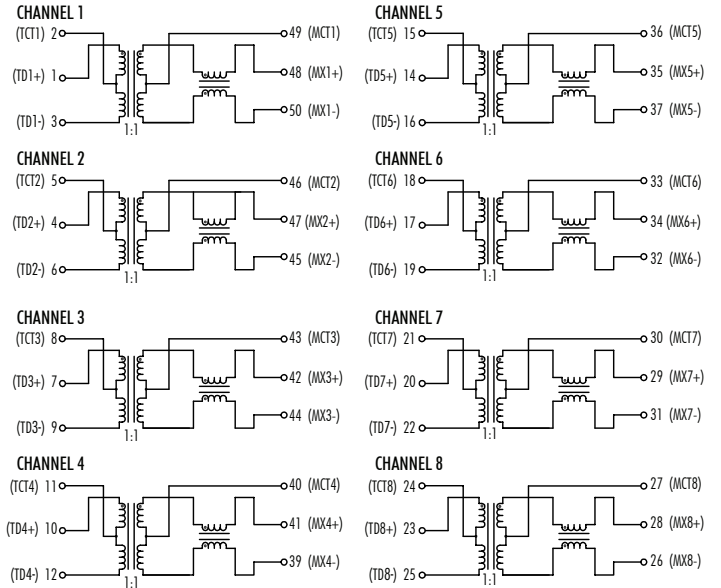
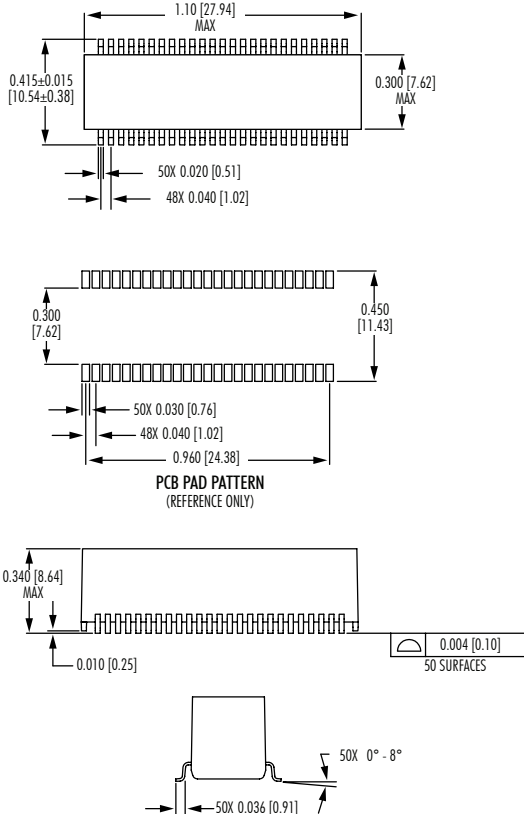


## Mechanicals

## Electrical Schematics

1000B-5003/X

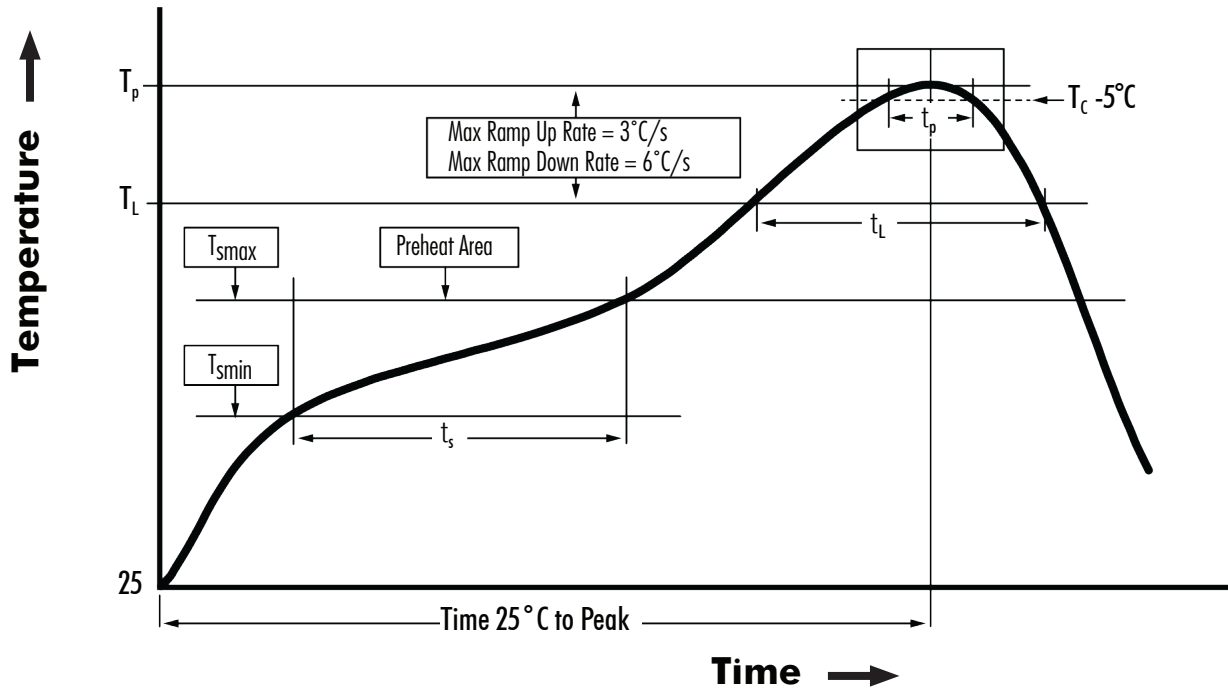
Dimensions: inch [mm]  
Tolerance (unless otherwise specified): ±0.010 [0.25]



# 1000BASE-T SINGLE & DUAL PORT TRANSFORMER MODULES

Ruggedized

## Recommended Reflow Profile (Based on J-STD-020D)



$T_{SMIN}$ (°C)	$T_{SMAX}$ (°C)	$T_L$ (°C)	$T_P$ (°C MAX)	$t_s$ (s)	$t_L$ (s)	$t_p$ (s MAX)	Ramp-up rate ( $T_L$ to $T_P$ )	Ramp-down rate ( $T_P$ to $T_L$ )	Time 25°C to peak temperature (s MAX)
<b>Tin/Lead Profile</b>									
100	150	183	235	60 - 120	60 - 150	20	3°C/s MAX	6°C/s MAX	360
<b>Non-Lead Profile</b>									
150	200	217	245	60 - 120	60 - 150	30	3°C/s MAX	6°C/s MAX	480

### NOTES:

1. All temperatures measured on the package leads.
2. Maximum number of reflow cycles not to exceed 2.
3. Reflow cycle applies only to surface mount parts.



iNRCORE, LLC  
311 Sinclair Road, Bristol, PA 19007-6812 USA  
Tel: +1.215.781.6400 Fax: +1.215.781.6430

[www.iNRCORE.com](http://www.iNRCORE.com)

M1061.C (8JUN23)

Performance warranty of products offered on this data sheet is limited to the parameters specified. Data is subject to change without notice. Other brand and product names mentioned herein may be trademarks or registered trademarks of their respective owners. © Copyright, 2023. iNRCORE, LLC. All rights reserved.

## Looking for pricing, stock, or lifecycle information?

Click below to explore more details on WIN SOURCE:

 [View 1000B-5002XNL](#) on WIN SOURCE

 [iNRCORE, LLC](#) Information

## Optimize Your Supply Chain with WIN SOURCE Solutions

-  Global Sourcing Solution
-  Obsolete Management
-  Cost Control Management
-  Shortage Management
-  Alternative Solution
-  Excess Inventory Management