

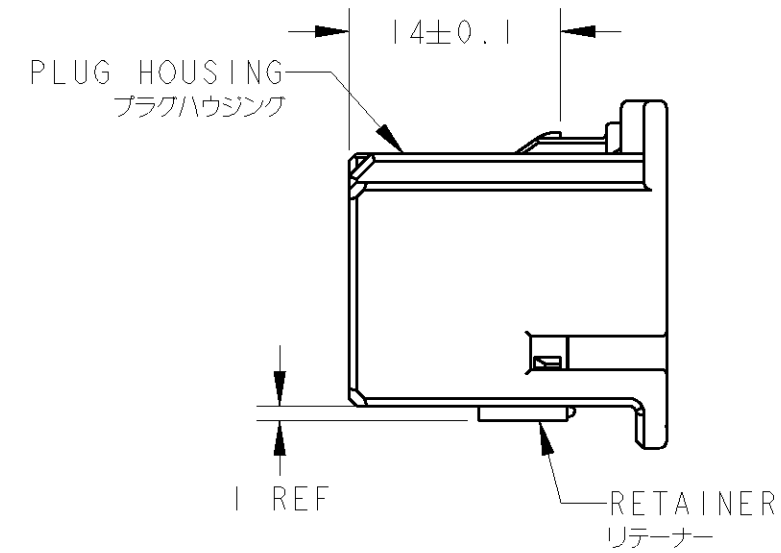
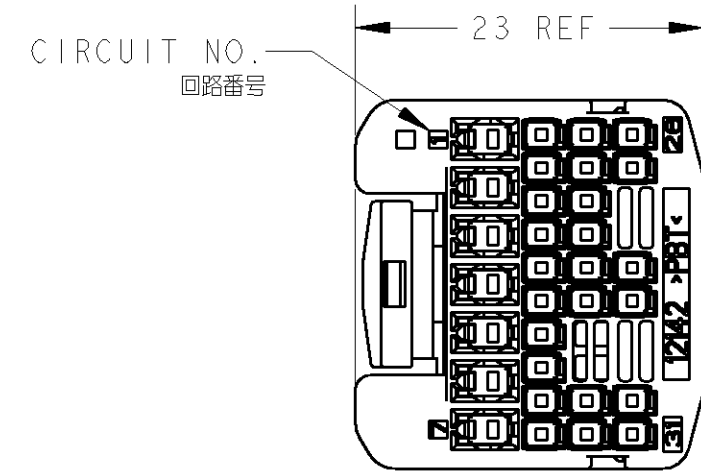
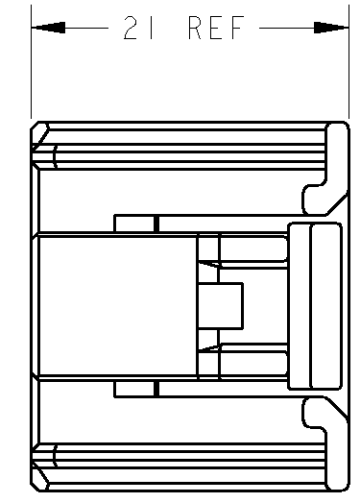
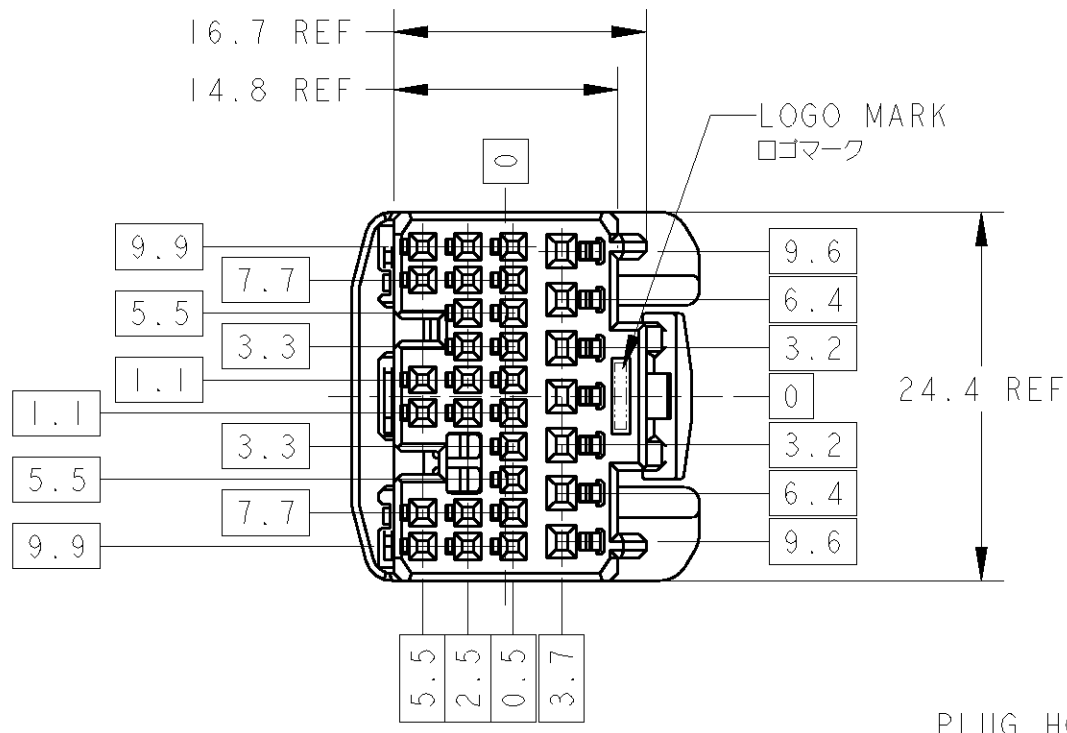


THE DATASHEET OF
1123341-1



THIS DRAWING IS UNPUBLISHED. RELEASED FOR PUBLICATION 20
 © COPYRIGHT 20 BY TYCO ELECTRONICS CORPORATION. ALL RIGHTS RESERVED.

LOC	DIST	REVISIONS						
		P	LTR	DESCRIPTION	ECN	DATE	DWN	APVD
J		01		REDRAWN W/CHANGE	FJ00-0875-02	26APR02	TS	HY
		A		REVISED	FJA0-0626-03	19JAN04	YM	HY
		AI		REVISED	ECR-07-013523	07JUN07	TS	KB



1. RETAINER SHOULD BE SENT TO THE PRE-ASSEMBLY POSITION WITHIN THE PLUG HOUSING WHEN SHIPPED TO THE CUSTOMER.
 2. THE PRE-RETENTION LATCH OF THE RETAINER MUST BE OUT SIDE OF PLUG HOUSING WHEN PRE-ASSEMBLY.
 3. RETAINER RETENTION FORCE FROM HOUSING: 30N MIN.
 4. INSTRUCTION SHEET NO. 411-5932.
 5. PART NUMBER OF CAP HOUSING TO BE MATED: SEE TABLE-1
 6. APPLIED TERMINALS: SEE TABLE-2
- △ RETAINER IS THE SAME COLOR AS HOUSING.

1. プラグハウジングにリテーナを仮係止して出荷される。
 2. 仮係止時、リテーナー突起がハウジングの外側に出ていること。
 3. リテーナーの仮係止保持力は、30N 以上。
 4. 取扱説明書NO. 411-5932
 5. 嵌合相手型番: TABLE-1 参照
 6. 適用端子: TABLE-2 参照
- △ リテーナーはハウジング本体と同色とする。

TABLE-2

		TERMINAL NO 端子型番	APPLICABLE WIRE RANGE 適用電線
SIGNAL 025	TIN	1123343-1	AVSS/CAVS/CAVUS/AVSSH-f 0.22~0.5mm ²
	SELECTIVE GOLD	1123343-2	
POWER 040 III	SELECTIVE GOLD	316837-2	AVSS/CAVS/CAVUS 0.3~0.85mm ² AVS 0.3~0.5mm ²
	TIN	316836-1	AVS 0.5mm ² AVSS/CAVS 0.85~1.25mm ² CAVUS 1.25mm ²
		316838-1	

TABLE-1

POS 極数	CAP ASSEMBLY PART NO キャップ 型番
167	1318813
135	1376430

PAPER BOX ダンボール	PLASTIC BAG ビニール袋	COLOR	PART NUMBER
PAPER BOX ダンボール	PLASTIC BAG ビニール袋	BLACK △	1123341-2
OUTER 外装	INNER 内装	NATURAL △	1123341-1
PACKING STYLE 梱包形態		COLOR	PART NUMBER

THIS DRAWING IS A CONTROLLED DOCUMENT FOR TYCO ELECTRONICS CORPORATION
 IT IS SUBJECT TO CHANGE AND THE CONTROLLING ENGINEERING ORGANIZATION
 SHOULD BE CONTACTED FOR THE LATEST REVISION.

DIMENSIONS: 単位: 概 mm	TOLERANCES UNLESS OTHERWISE SPECIFIED: 一般公差: ±0.3
	0-PLC ±
	1-PLC ±0.1
	2-PLC ±0.01
	3-PLC ±0.001
	4-PLC ±0.000J
	ANGLES ±3'00"
MATERIAL 材料	FINISH 仕上
PBT	SEE TABLE

DWN T. SHINOHARA 26APR02	Tyco Electronics AMP K.K. Kawasaki, Japan	
CHK H. YAMAGAMI 26APR02	NAME 名称	
APVD H. YAMAGAMI 26APR02	025/040 EFI ECU CONNECTOR PLUG HOUSING ASSY 31 POSITION	
PRODUCT SPEC 製品規格 108-5674	SIZE A3	RESTRICTED TO
APPLICATION SPEC 取付適用規格 114-5217, 5250	CAGE CODE 00779	DRAWING NO C=1123341
WEIGHT 5.8g	SCALE 尺度 2:1	SHEET 1 OF 1
CUSTOMER DRAWING	REV A1	

Looking for pricing, stock, or lifecycle information?

Click below to explore more details on WIN SOURCE:

 [View 1123341-1 on WIN SOURCE](#)

 [TE Connectivity](#) Information

Optimize Your Supply Chain with WIN SOURCE Solutions

-  Global Sourcing Solution
-  Obsolete Management
-  Cost Control Management
-  Shortage Management
-  Alternative Solution
-  Excess Inventory Management