

WIN**SOURCE**
ELECTRONICS

THE DATASHEET OF
1102195-1



1102195-1 ✓ ACTIVE

HDC HSB

TE Internal #: 1102195-1

TE Internal Description: HE-Q.5.Sti.C.B1-5

[View on TE.com >](#)



Product Compliance

[For compliance documentation, visit the product page on TE.com>](#)

EU RoHS Directive 2011/65/EU	Compliant with Exemptions
EU ELV Directive 2000/53/EC	Compliant with Exemptions
China RoHS 2 Directive MIIT Order No 32, 2016	Restricted Materials Above Threshold
EU REACH Regulation (EC) No. 1907/2006	Current ECHA Candidate List: JUNE 2024 (241) Candidate List Declared Against: JAN 2022 (223) SVHC > Threshold: Pb (3.5% in Component) DBMC (.3% in Component) Article Safe Usage Statements: Do not eat, drink or smoke when using this product. Wash thoroughly after handling. Do not handle until all safety precautions have been read and understood. Recycle if possible and dispose of the article by following all applicable governmental regulations relevant to your geographic location.
Halogen Content	Low Halogen - Br, Cl, F, I < 900 ppm per homogenous material. Also BFR/CFR/PVC Free
Solder Process Capability	Not applicable for solder process capability

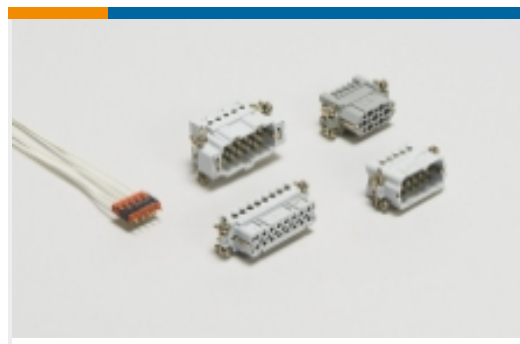
Product Compliance Disclaimer

This information is provided based on reasonable inquiry of our suppliers and represents our current actual knowledge based on the information they provided. This information is subject to change. The part numbers that TE has identified as EU RoHS compliant have a maximum concentration of 0.1% by weight in homogenous materials for lead, hexavalent chromium, mercury, PBB, PBDE, DBP, BBP, DEHP, DIBP, and 0.01% for cadmium, or qualify for an exemption to these limits as defined in the Annexes of Directive 2011/65/EU (RoHS2). Finished electrical and electronic equipment products will be CE marked as required by Directive 2011/65/EU. Components may not be CE marked. Additionally, the part numbers that TE has identified as EU ELV compliant have a maximum concentration of 0.1% by weight in homogenous materials for lead, hexavalent chromium, and mercury, and 0.01% for cadmium, or qualify for an exemption to these limits as defined in the Annexes of Directive 2000/53/EC (ELV). Regarding the REACH Regulation, the information TE provides on SVHC in articles for this part number is based on the latest European Chemicals Agency (ECHA) 'Guidance on requirements for substances in articles' posted at this URL: <https://echa.europa.eu/guidance-documents/guidance-on-reach>

Also in the Series | [HDC HSB](#)

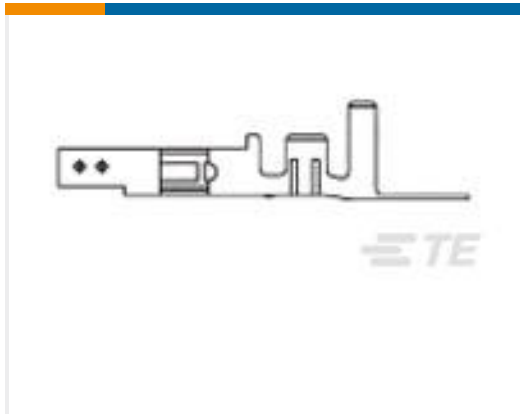


Insertion & Extraction Tools(2)



Rectangular Contact Inserts(8)

Customers Also Bought



TE Part #794956-3
VAL-U-LOK SKT PHBZ SN 22-18AWG



TE Part #1-172338-2
4CIR MINI-UMNL PLUG RED



TE Part #2357686-2
SGI 2.0 Crimp TPA, 2 Position



TE Part #2357686-4
SGI 2.0 Crimp TPA



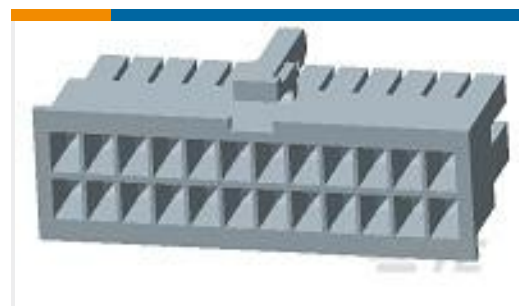
TE Part #1-5179030-1
0.8FH,P07H.5,040,30/Sn,TU



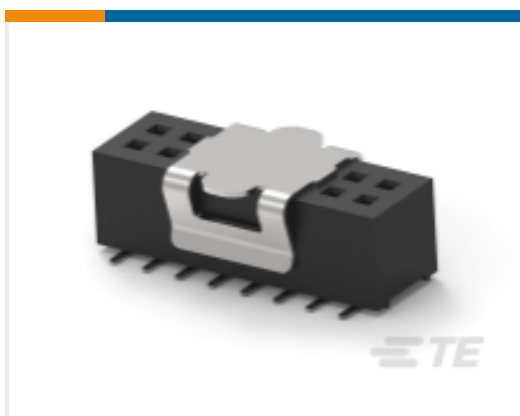
TE Part #770834-4
MINI UMNL SOCKET PHBR



TE Part #7-1879131-2
RN 0402 10K2 0.1% 10PPM 5K RL



TE Part #1-1969614-4
14P RCPT VAL-U-LOK V0



TE Part #1-2267440-5
SCL 1.0 RCPT DR VT 030 SMT G3 TBK



TE Part #5-2098269-1
10P Plug Assembly (2x5), Gener

Documents

Product Drawings

[HE-Q.5.Sti.C.B1-5](#)

English

CAD Files

[3D PDF](#)

[3D](#)

[Customer View Model](#)

[ENG_CVM_CVM_1102195-1_A_c-1102195-1-a.2d_dxf.zip](#)



English

Customer View Model

[ENG_CVM_CVM_1102195-1_A_c-1102195-1-a.3d_igs.zip](#)

English

Customer View Model

[ENG_CVM_CVM_1102195-1_A_c-1102195-1-a.3d_stp.zip](#)

English

By downloading the CAD file I accept and agree to the [Terms and Conditions](#) of use.

[Agency Approvals](#)

[Agency Approval Document](#)

English

Looking for pricing, stock, or lifecycle information?

Click below to explore more details on WIN SOURCE:

[View 1102195-1 on WIN SOURCE](#)

[TE Connectivity Information](#)

Optimize Your Supply Chain with WIN SOURCE Solutions

- ✓ Global Sourcing Solution
- ✓ Obsolete Management
- ✓ Cost Control Management
- ✓ Shortage Management
- ✓ Alternative Solution
- ✓ Excess Inventory Management