

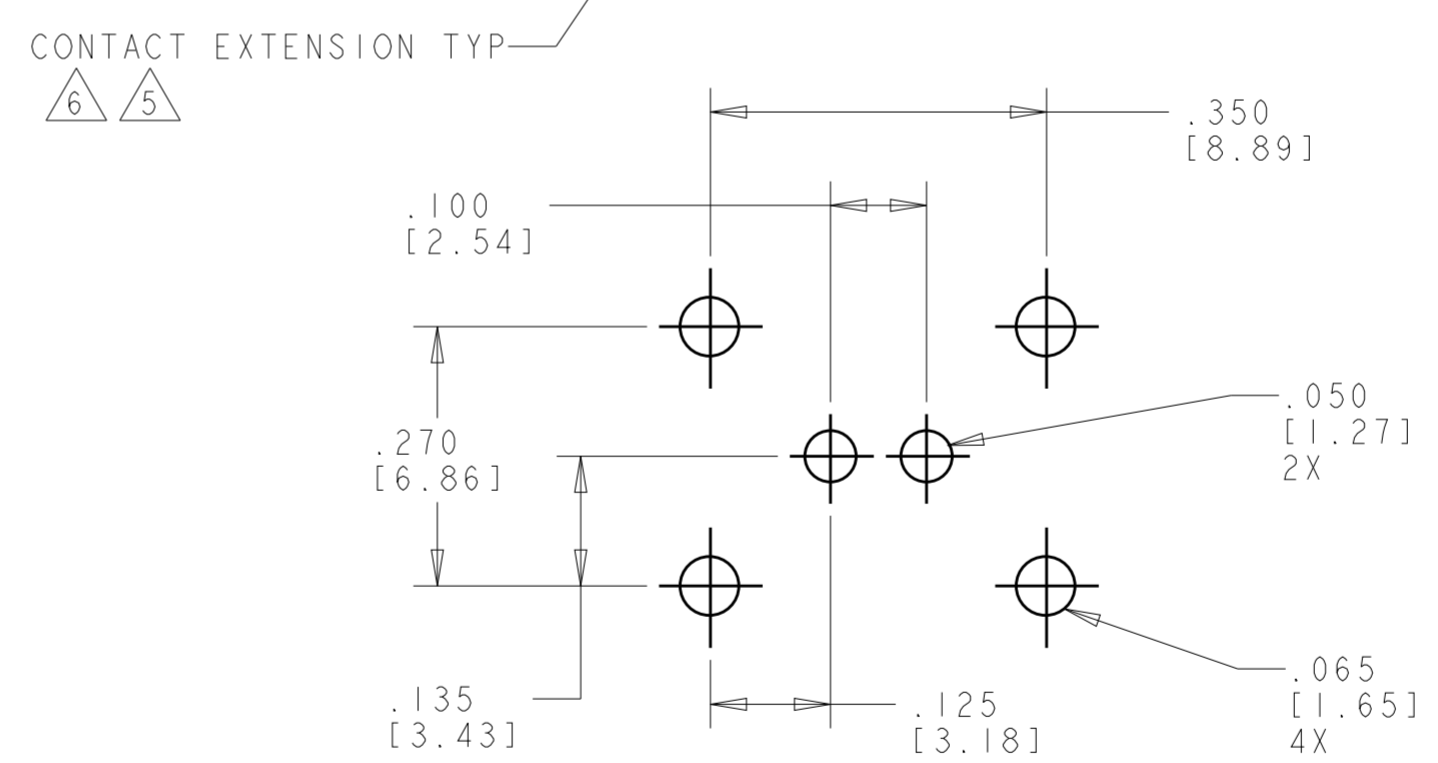
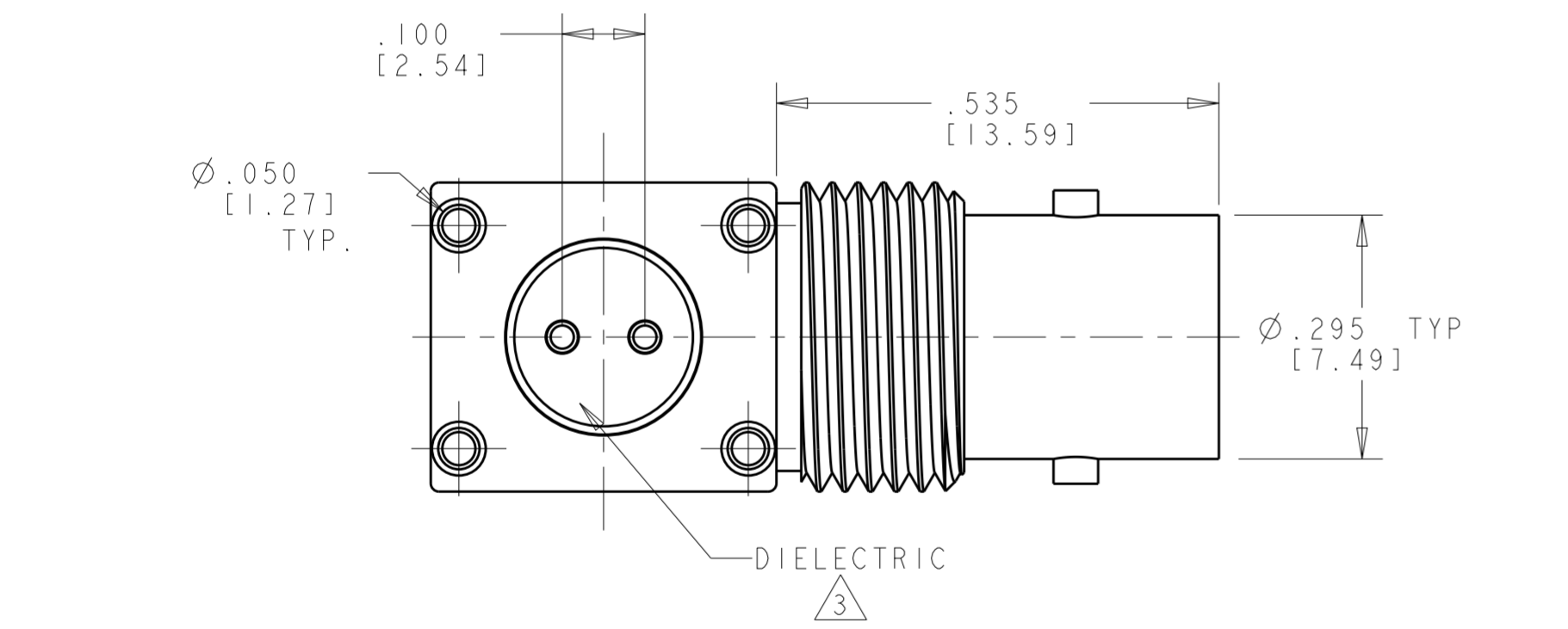
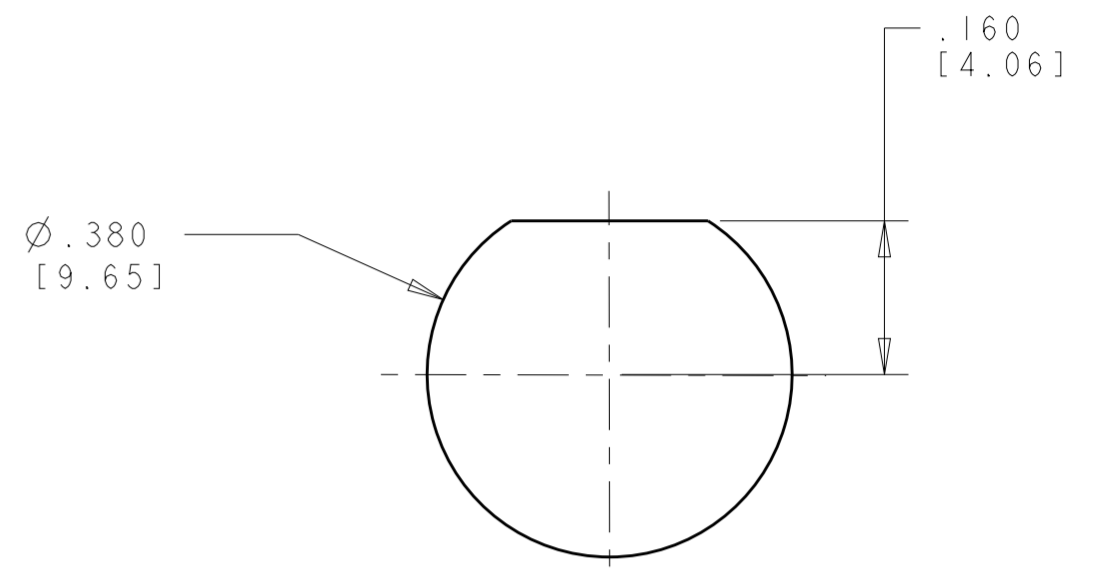
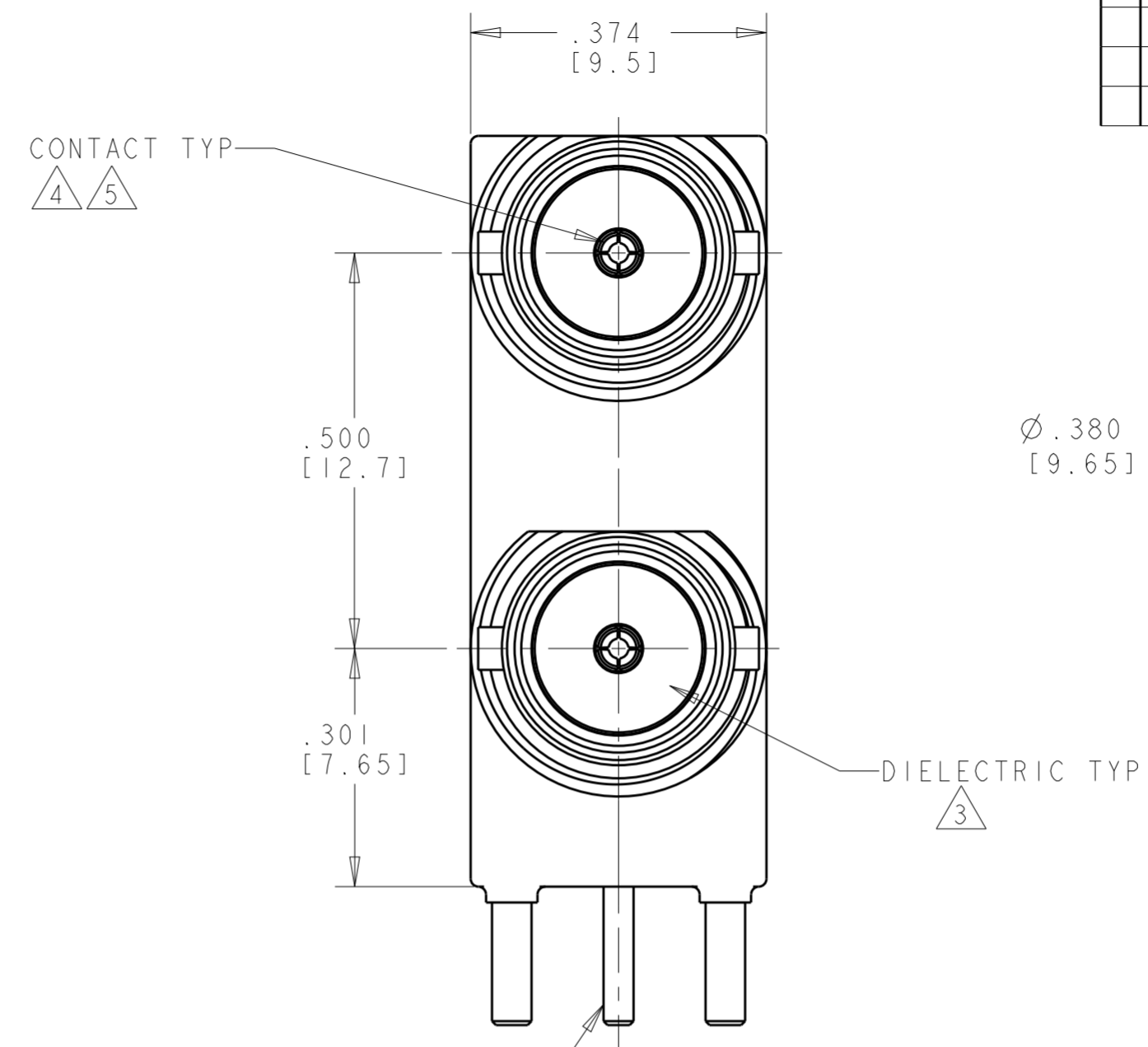
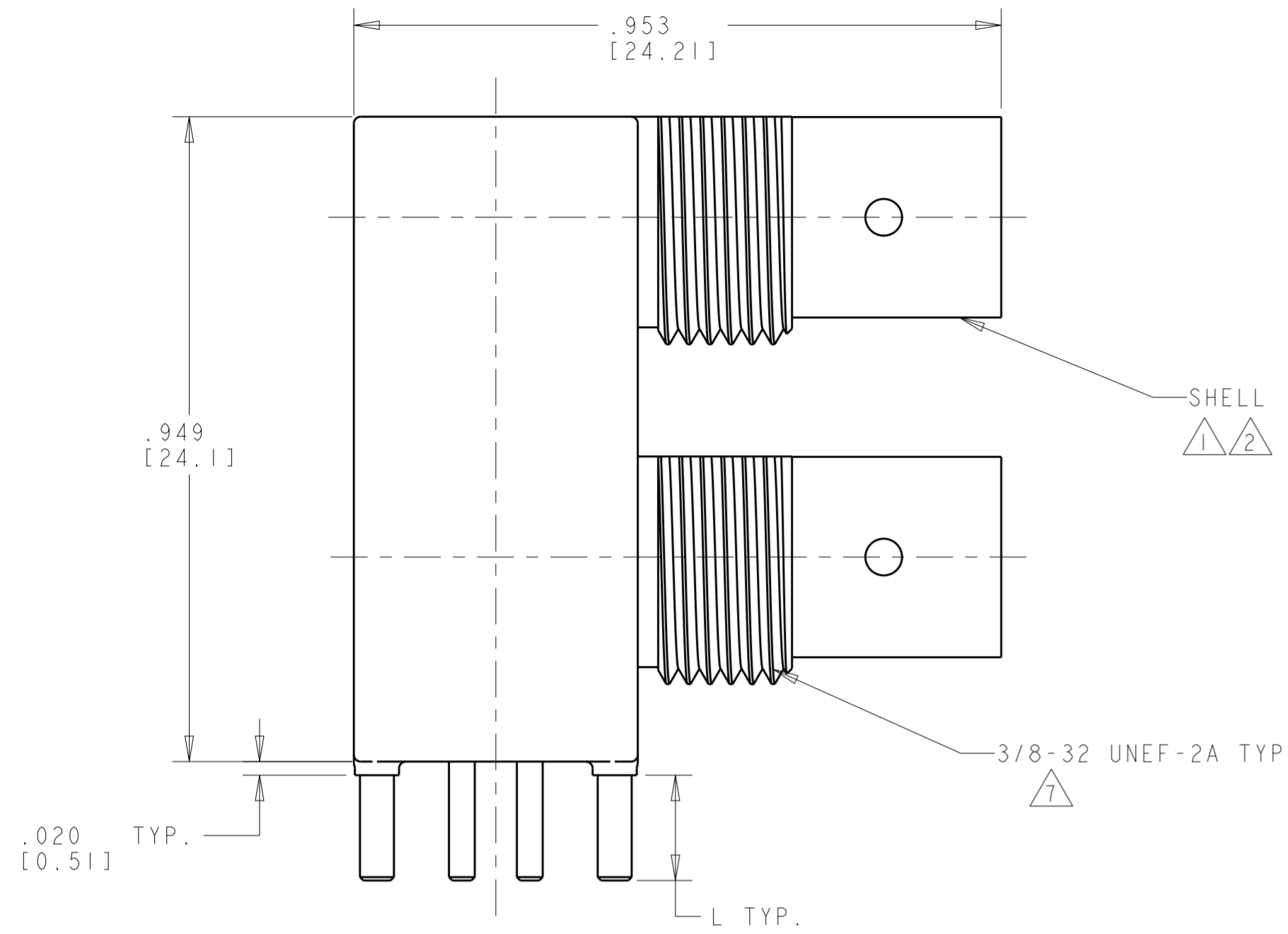


THE DATASHEET OF
1274684-1



THIS DRAWING IS UNPUBLISHED. RELEASED FOR PUBLICATION 20
 © COPYRIGHT 20 BY TYCO ELECTRONICS CORPORATION. ALL RIGHTS RESERVED.

LOC	DIST	REVISIONS					
		P	LTR	DESCRIPTION	DATE	DWN	APVD
AJ	16	A		REV PER ECO 07-026422	08NOV2007	DW	KW
		AI		ECR-18-008669	06JUN18	RZ	RS



- 1 ZINC PER ASTM-B-86
- 2 NICKEL PLATE PER QQ-N-290
- 3 PTFE PER ASTM-D-1710
- 4 PHOSPHOR BRONZE PER ASTM-B-139
- 5 GOLD PLATE PER ASTM-B488
- 6 BRASS PER ASTM-B-16
- 7 MAJOR DIAMETER MODIFIED TO Ø.363 REF

.093 [2.36]	1274684-2
.155 [3.94]	1274684-1
L	PART NUMBER

THIS DRAWING IS A CONTROLLED DOCUMENT FOR TYCO ELECTRONICS CORPORATION. IT IS SUBJECT TO CHANGE AND THE CONTROLLING ENGINEERING ORGANIZATION SHOULD BE CONTACTED FOR THE LATEST REVISION.		DWN K. WEIDNER 12APR2005	Tyco Electronics Harrisburg, PA 17105-3608
DIMENSIONS: INCHES [mm]		CHK K. WEIDNER 12APR2005	
TOLERANCES UNLESS OTHERWISE SPECIFIED: 0 PLC ± 1 PLC ± 2 PLC ± 3 PLC ±.005 [0.13] 4 PLC ± ANGLES ±2 FINISH		APVD K. WEIDNER 12APR2005	NAME JACK, 2 POSITION R/A, PCB, MINI BNC
MATERIAL		PRODUCT SPEC 108-2159	SIZE A200779
		APPLICATION SPEC	CAGE CODE C-1274684
		WEIGHT	DRAWING NO 1274684
		CUSTOMER DRAWING	RESTRICTED TO REV AI
		SCALE 5:1	SHEET 1 OF 1

Looking for pricing, stock, or lifecycle information?

Click below to explore more details on WIN SOURCE:

 [View 1274684-1](#) on WIN SOURCE

 [TE Connectivity](#) Information

Optimize Your Supply Chain with WIN SOURCE Solutions

-  Global Sourcing Solution
-  Obsolete Management
-  Cost Control Management
-  Shortage Management
-  Alternative Solution
-  Excess Inventory Management