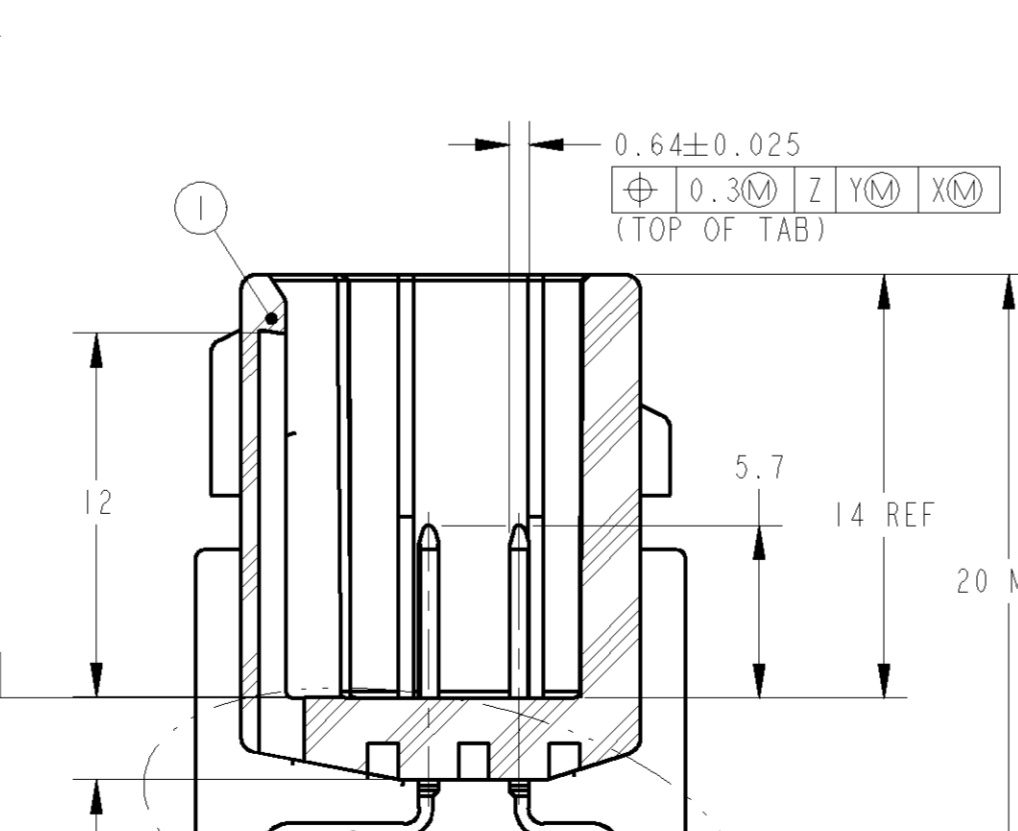
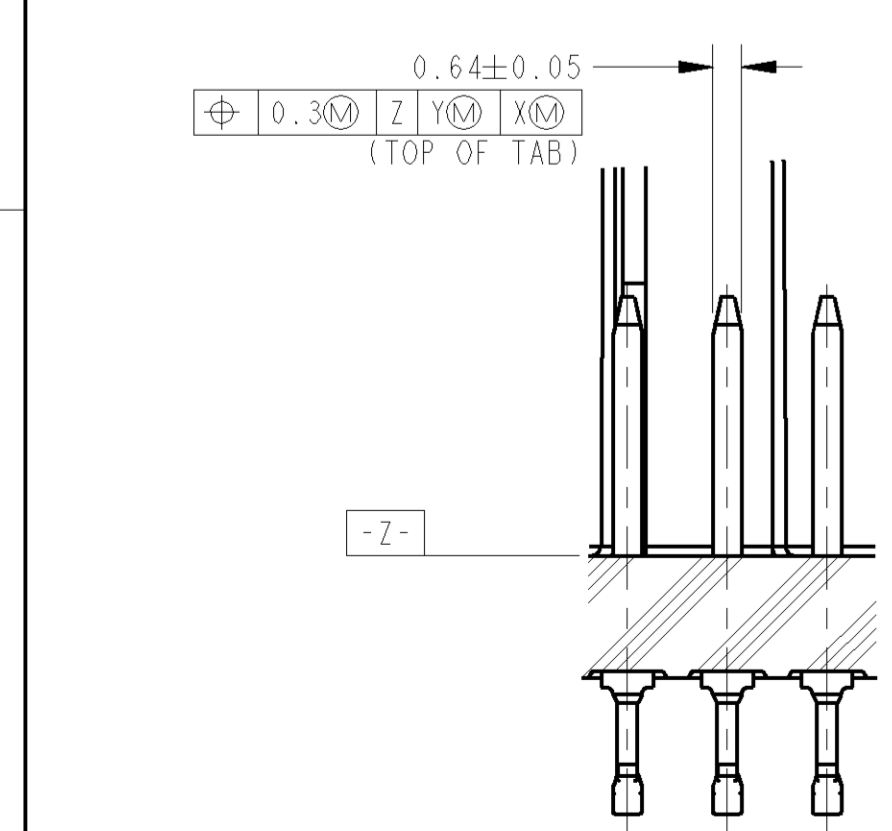
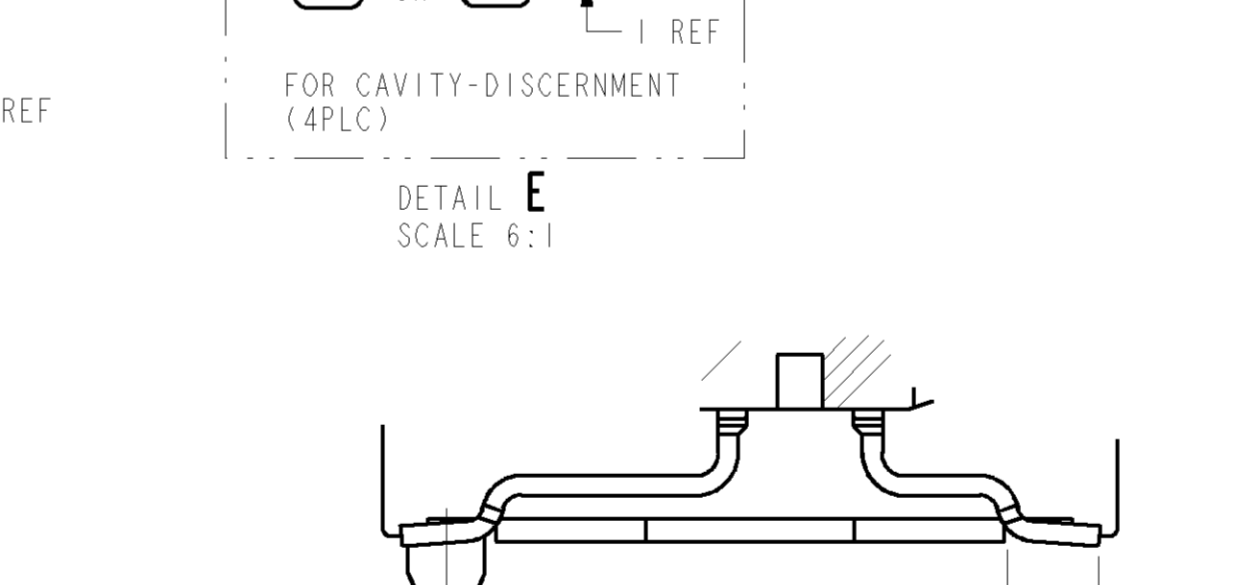
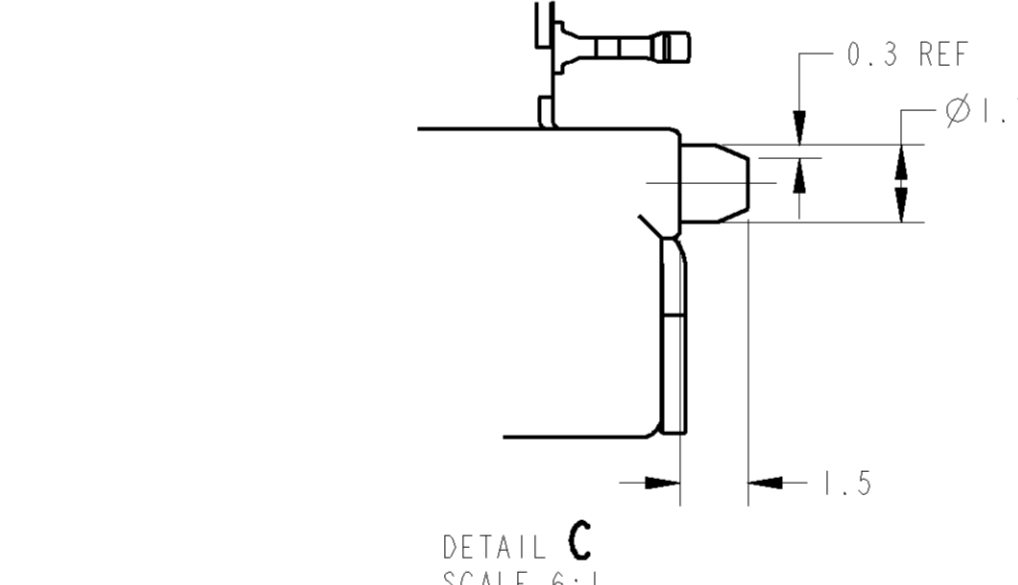
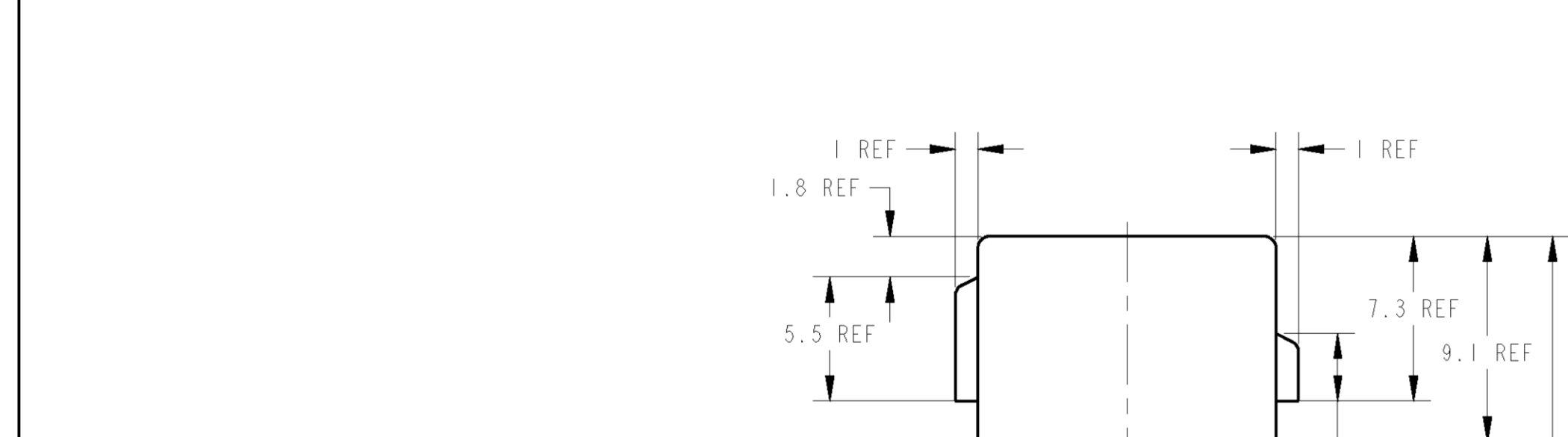
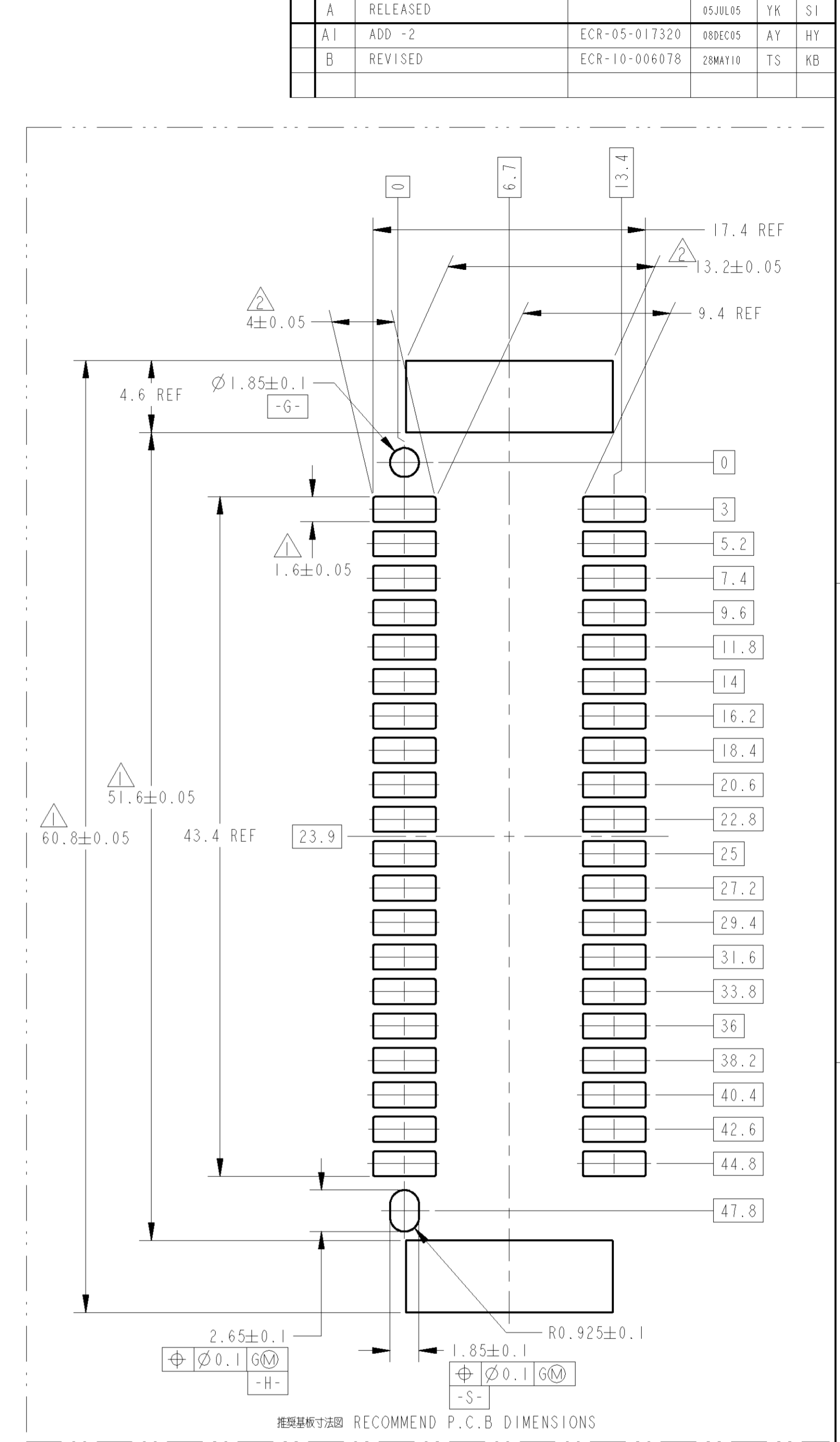
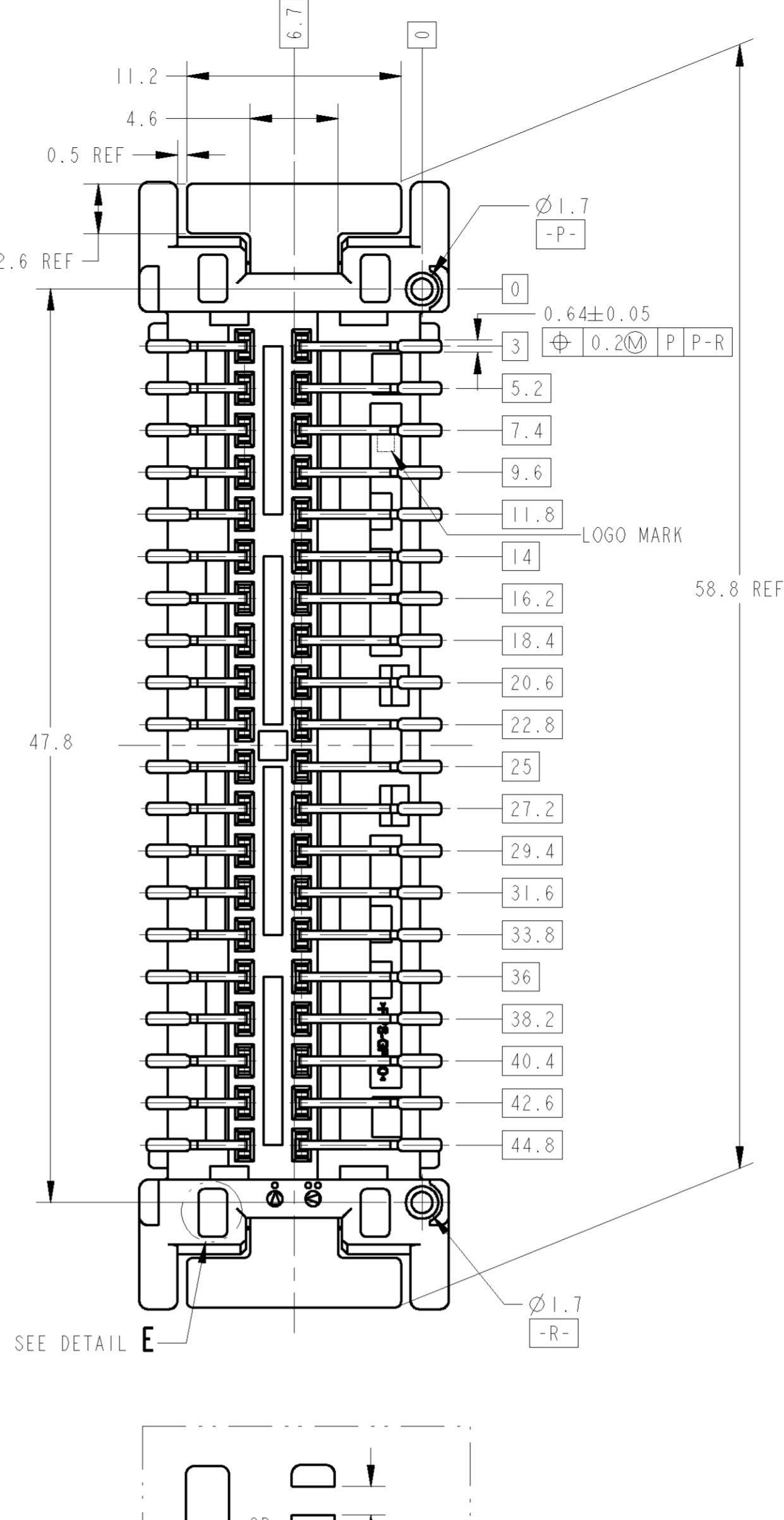
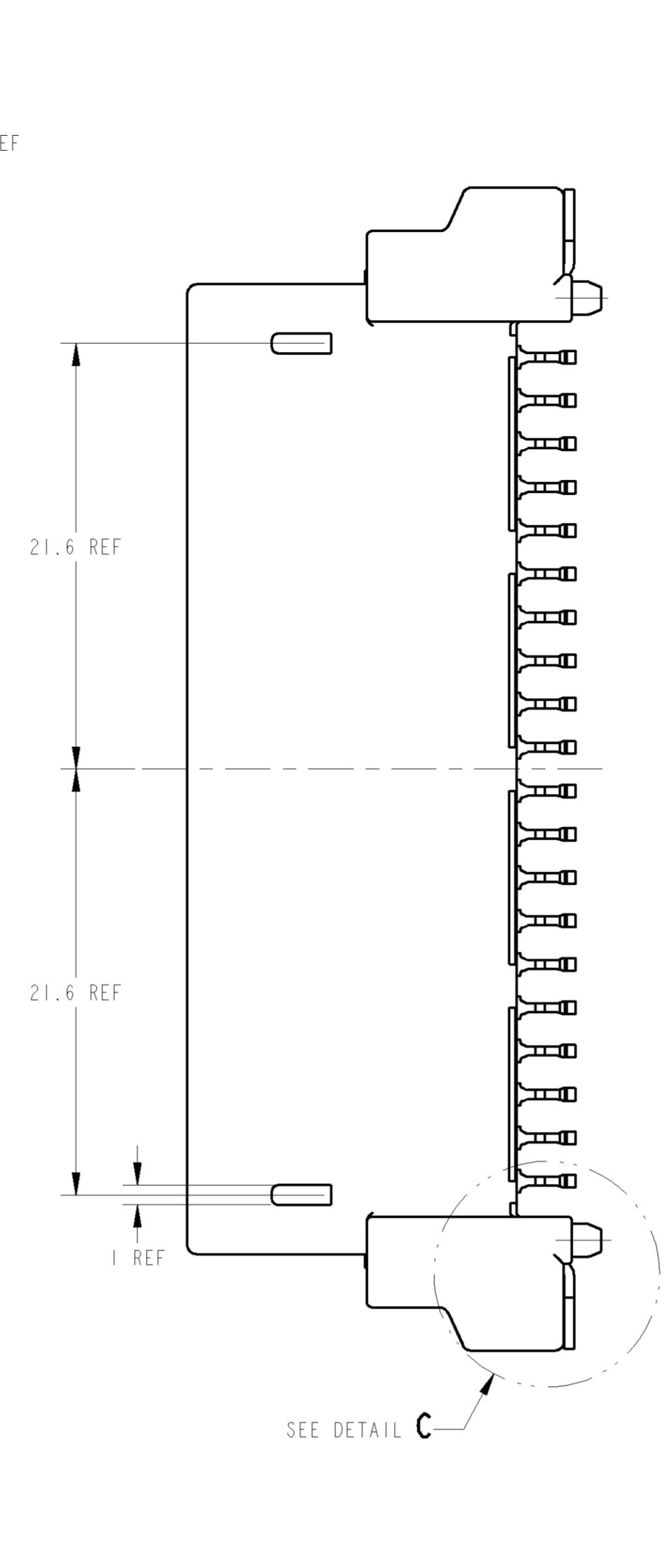
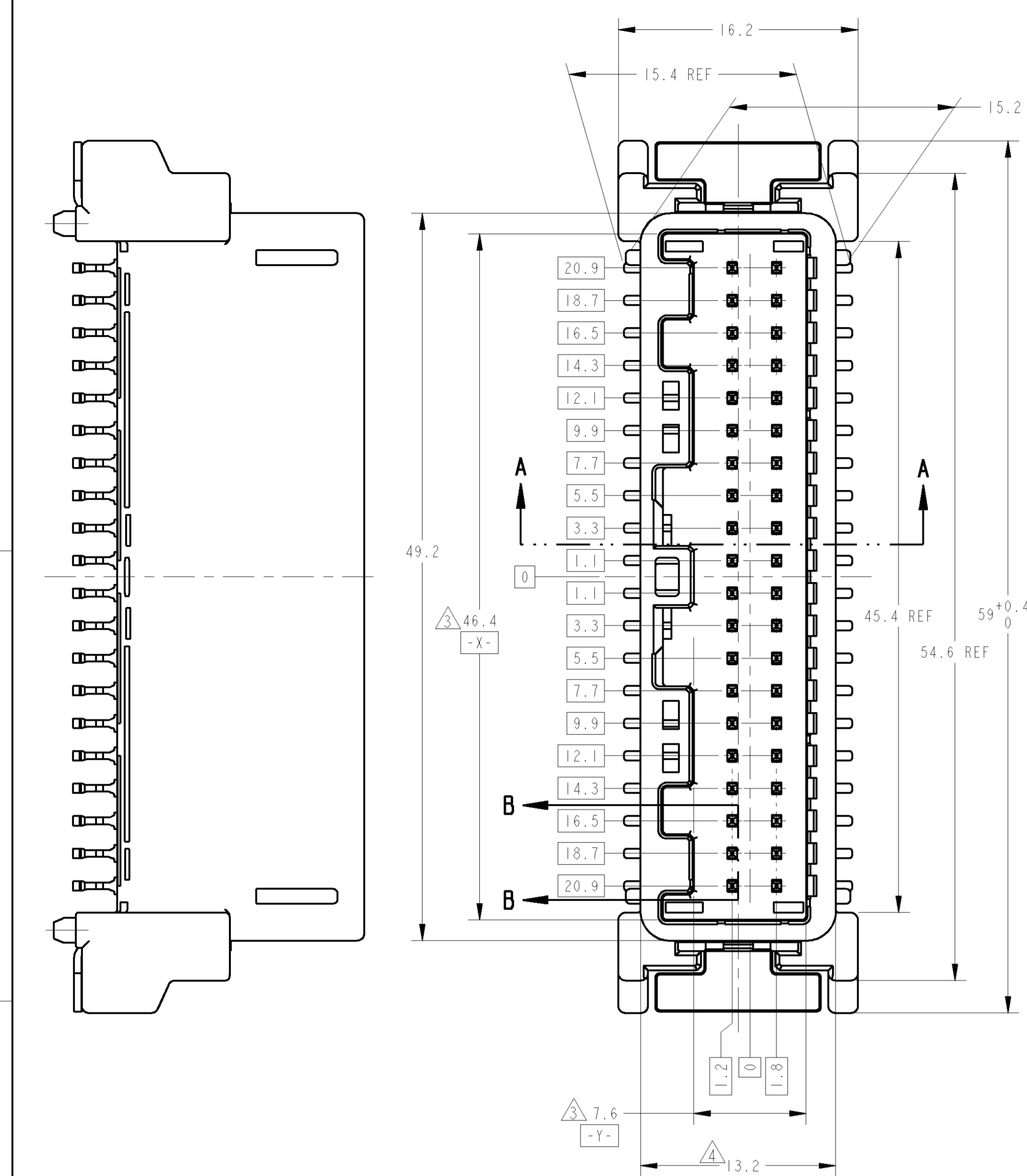




**THE DATASHEET OF**  
**1747642-2**



REV. LIST		REVISIONS				
NO.	DATE	DESCRIPTION	ECR	DATE	OWN	APPV
A	05JUL05	RELEASED		05JUL05	YK	S1
A1		ADD -2	ECR-05-017320	08DEC05	AY	HY
B		REVISED	ECR-10-006078	28MAY10	TS	KB



- △ . POSITION TOLERANCE  $\oplus \ominus \varnothing 0.1 \text{ (S)}$  [G] [G-S]
- △ . POSITION TOLERANCE  $\oplus \ominus \varnothing 0.1 \text{ (S)}$  [G] [G-S]
- △ . MEASURED AT 6mm FROM -Z-
- △ . MUST BE CONTROLLED AT MAXIMUM DIMENSION
- 5. MATING CONNECTOR PART NO.: SEE TABLE-1
- 6. DETAIL OF TERMINALS: SEE TABLE-2
- 7. HANDLING OF THIS PART SHOULD FOLLOW INSTRUCTION SHEET NO. 411-78145
- 8. APPLICABLE PRINTED CIRCUIT BOARD'S THICKNESS 1.6mm
- 9. WHEN MOUNTING, THICKNESS OF SOLDER PASTE: 0.15mm MIN.

POS. 種別	FINISH	TYPE
40	TIN	0.64

POS. 種別	TYPE	P/N
40	0.64 CRIMP	1318389
40	0.64111 CRIMP	1674312
40	0.64 IDC	1318693

OUTER 外形	PAPER BOX ダンボール箱	PLASTIC BOX 差し箱	PACKING STYLE 梱包形態			
			2	SOLDER PEG	POST-TIN	4
INNER 内装	PLASTIC TUBE プラスチックチューブ	PLASTIC TUBE プラスチックチューブ	20	0.64 TAB CONTACT (L)	POST-TIN	3
			20	0.64 TAB CONTACT (S)	POST-TIN	2
			1	40P CAP HOUSING	BLACK	1
1747642-2			1747642-1	NAME	FINISH/COLOR	NO.

TYCO ELECTRONICS CORPORATION  
 1747642-2 05JUL05  
 1747642-1 05JUL05  
 DIMENSIONS: mm  
 TOLERANCES UNLESS OTHERWISE SPECIFIED:  
 9-PLC ±0.3  
 H-PLC 10-5  
 B-PLC 10-10  
 4-PLC 10-013  
 ANGLES SEE TABLE  
 MATERIAL HOUSING: PPS GF40  
 CONTACT: BRASS  
 SOLDER PEG: BRASS  
 FINISH SEE TABLE  
 WEIGHT 11.5 g  
 CUSTOMER DRAWING  
 Tyco Electronics Corporation  
 Kawasaki, Japan  
 0.64 SMD CONNECTOR 40 POSITION  
 CAP ASSEMBLY V-TYPE  
 SIZE CASE CODE DRAWING NO. RESTRICTED TO  
 A1 00779 C=1747642  
 SHEET 4:1 OF 1 REV B

## Looking for pricing, stock, or lifecycle information?

Click below to explore more details on WIN SOURCE:

 [View 1747642-2 on WIN SOURCE](#)

 [TE Connectivity](#) Information

## Optimize Your Supply Chain with WIN SOURCE Solutions

-  Global Sourcing Solution
-  Obsolete Management
-  Cost Control Management
-  Shortage Management
-  Alternative Solution
-  Excess Inventory Management