

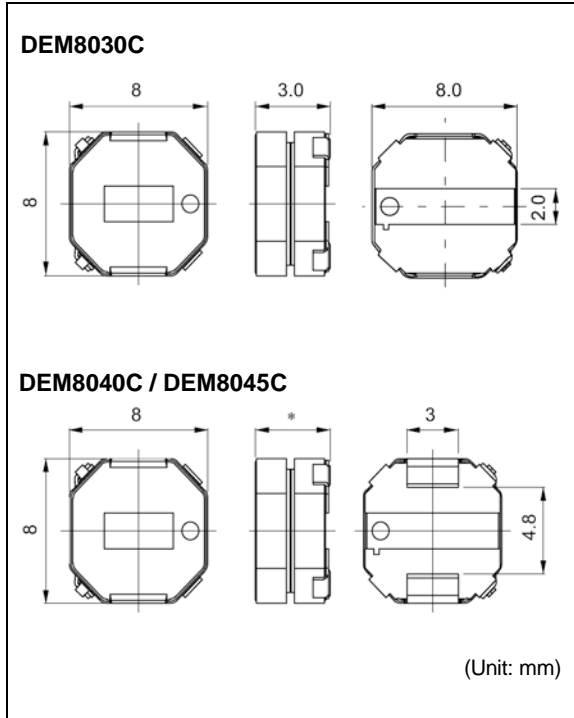


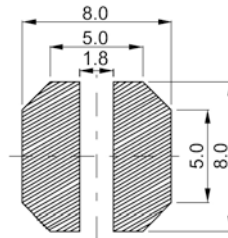
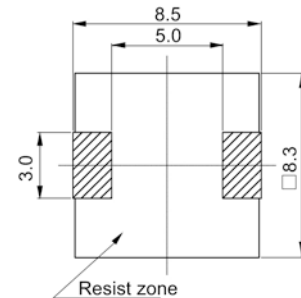
**THE DATASHEET OF  
1248AS-H-3R3N=P3**



# DEM8030C / DEM8040C / DEM8045C

**Inductance Range:** 1.5~47μH(DEM8030C), 1.5~33μH(DEM8040C), 1.5~47μH(DEM8045C)


**Recommended patterns**  
 推荐焊盘尺寸

**DEM8030C**

**DEM8040C / DEM8045C**


(Unit: mm)

\* : DEM8040C ; 4.0mm Max.

DEM8045C ; 4.5mm Max.

**FEATURES 特点**

- 8.3×8.3mm Max. square, 3.0, 4.0, and 4.5mm Max. height.
- Magnetically shielded construction and low DC resistance.
- Suitable for large currents.
- RoHS compliant.
- Halogen Free
- 最大8.3×8.3毫米的平面，最大高度3.0 / 4.0 / 4.5毫米
- 磁性屏蔽结构和低直流电阻
- 适合大电流
- 符合RoHS指令
- 无卤素

**STANDARD PART NUMBERS 标准零件号码**
**TYPE DEM8030C (Quantity/reel; 1000 PCS)**

零件号码	电感值 <sup>(1)</sup>	公差	最大直流电阻 <sup>(2)</sup> (典型)	最大电感值减小电流 <sup>(3)</sup> (典型)	最大温度上升电流 <sup>(3)</sup> (典型)
Part Number	Inductance <sup>(1)</sup> (μH)	Tolerance (%)	DC Resistance <sup>(2)</sup> (mΩ) Max. (Typ.)	Inductance Decrease Current <sup>(3)</sup> (A) Max. (Typ.) $\frac{\Delta L}{L} = 30\%$	Temperature Rise Current <sup>(3)</sup> (A) Max. (Typ.) $\Delta T = 40^\circ\text{C}$
1273AS-H-1R5N=P3	1.5	±30	10.0 (8.3)	7.5(10)	7.3(8.6)
1273AS-H-2R2N=P3	2.2	±30	13.2 (11)	6.2(8.2)	6.5(7.7)
1273AS-H-3R3N=P3	3.3	±30	19.2 (16)	5.2(6.9)	5.4(6.3)
1273AS-H-4R7N=P3	4.7	±30	22.8 (19)	4.4(5.9)	4.9(5.8)
1273AS-H-6R8N=P3	6.8	±30	37.2 (31)	3.4(4.5)	3.7(4.4)
1273AS-H-100M=P3	10	±20	54.0 (45)	2.9(3.8)	3.1(3.6)
1273AS-H-150M=P3	15	±20	78.0 (65)	2.4(3.2)	2.6(3.1)
1273AS-H-220M=P3	22	±20	126.0 (105)	2.0 (2.7)	2.0 (2.4)
1273AS-H-330M=P3	33	±20	174.0 (145)	1.6 (2.1)	1.9 (2.2)
1273AS-H-470M=P3	47	±20	289.0 (241)	1.3(1.7)	1.3(1.5)

continued on next page 接下页

**STANDARD PART NUMBERS 标准零件号码**
**TYPE DEM8040C (Quantity/reel; 1000 PCS)**

零件号码	电感值 <sup>(1)</sup>	公差	最大直流电阻 <sup>(2)</sup> (典型)	最大电感值减小电流 <sup>(3)</sup> (典型)	最大温度上升电流 <sup>(3)</sup> (典型)
Part Number	Inductance <sup>(1)</sup> (μH)	Tolerance (%)	DC Resistance <sup>(2)</sup> (mΩ) Max. (Typ.)	Inductance Decrease Current <sup>(3)</sup> (A) Max. (Typ.) $\frac{\Delta L}{L} = 30\%$	Temperature Rise Current <sup>(3)</sup> ΔT=40°C (A) Max. (Typ.)
1248AS-H-1R5N=P3	1.5	±30	10.1 (8.4)	10.0 (14.0)	8.0 (9.4)
1248AS-H-2R2N=P3	2.2	±30	13.2 (11)	8.6 (12.0)	7.0 (8.3)
1248AS-H-3R3N=P3	3.3	±30	19.2 (16)	7.2 (9.4)	5.6 (6.6)
1248AS-H-4R7N=P3	4.7	±30	22.8 (19)	6.2 (8.4)	5.3 (6.2)
1248AS-H-6R8N=P3	6.8	±30	36.0 (30)	4.8 (6.6)	4.2 (4.9)
1248AS-H-100M=P3	10	±20	52.8 (44)	4.1 (5.4)	3.4 (4.0)
1248AS-H-150M=P3	15	±20	78.0 (65)	3.4 (4.6)	2.7 (3.2)
1248AS-H-220M=P3	22	±20	126.0 (105)	2.8 (3.7)	2.2 (2.6)
1248AS-H-330M=P3	33	±20	168.0 (140)	2.4 (3.1)	1.8 (2.2)

**TYPE DEM8045C (Quantity/reel; 1000 PCS)**

零件号码	电感值 <sup>(1)</sup>	公差	最大直流电阻 <sup>(2)</sup> (典型)	最大电感值减小电流 <sup>(3)</sup> (典型)	最大温度上升电流 <sup>(3)</sup> (典型)
Part Number	Inductance <sup>(1)</sup> (μH)	Tolerance (%)	DC Resistance <sup>(2)</sup> (mΩ) Max. (Typ.)	Inductance Decrease Current <sup>(3)</sup> (A) Max. (Typ.) $\frac{\Delta L}{L} = 30\%$	Temperature Rise Current <sup>(3)</sup> ΔT=40°C (A) Max. (Typ.)
1217AS-H-1R5N=P3	1.5	±30	7.6 (6.5)	11.2 (15.0)	9.4 (11.0)
1217AS-H-2R2N=P3	2.2	±30	9.9 (8.3)	9.3 (12.4)	8.7 (10.0)
1217AS-H-3R3N=P3	3.3	±30	14.4 (12)	7.7 (10.3)	6.8 (8.0)
1217AS-H-4R7N=P3	4.7	±30	18.0 (15)	6.7 (9.0)	6.3 (7.4)
1217AS-H-5R6N=P3	5.6	±30	22.8 (19)	6.1 (8.1)	5.4 (6.4)
1217AS-H-6R8N=P3	6.8	±30	27.6 (23)	5.2 (7.0)	4.8 (5.6)
1217AS-H-8R2M=P3	8.2	±20	33.6 (28)	4.8 (6.4)	4.5 (5.3)
1217AS-H-100M=P3	10	±20	39.6 (33)	4.3 (5.7)	3.9 (4.6)
1217AS-H-150M=P3	15	±20	52.8 (44)	3.3 (4.4)	3.5 (4.1)
1217AS-H-180M=P3	18	±20	76.8 (64)	3.2 (4.3)	2.9 (3.4)
1217AS-H-220M=P3	22	±20	93.6 (78)	2.9 (3.9)	2.4 (2.8)
1217AS-H-330M=P3	33	±20	132.0 (110)	2.3 (3.1)	2.2 (2.6)
1217AS-H-470M=P3	47	±20	204.0 (170)	2.1 (2.8)	1.8 (2.1)

(1) Inductance is measured with a LCR meter 4284A (Agilent Technologies) or equivalent. Test frequency at 100kHz

(2) DC resistance is measured with 34420A (Agilent Technologies) or 3541(HIOKI). (Reference ambient temperature 25°C)

(3) Maximum allowable DC current is that which causes a 30% inductance reduction from the initial value, or coil temperature to rise by 40°C, whichever is smaller. (Reference ambient temperature 20°C)

(1) LCR仪表4284A (Agilent技术)或者功能相同的仪器在100kHz下测试电感值。

(2) 通过数码万用表34420A (Agilent技术) 或者3541(HIOKI)测试直流电阻。(环境温度为25°C)

(3) 允许最大直流电的范围是以下两者中比较小的一个: 引起电感值从最初值降低30%, 或者线圈温度升高40°C。(参考周围环境温度20°C)。

## Looking for pricing, stock, or lifecycle information?

Click below to explore more details on WIN SOURCE:

- [View 1248AS-H-3R3N=P3 on WIN SOURCE](#)
- [Murata Electronics North America Information](#)

## Optimize Your Supply Chain with WIN SOURCE Solutions

- ✓ Global Sourcing Solution
- ✓ Obsolete Management
- ✓ Cost Control Management
- ✓ Shortage Management
- ✓ Alternative Solution
- ✓ Excess Inventory Management