



THE DATASHEET OF
1241765-2





[All MQS, CONNECTOR HOUSING \(353\)](#)

Product Compliance

[For compliance documentation, visit the product page on TE.com>](#)

EU RoHS Directive 2011/65/EU	Compliant
EU ELV Directive 2000/53/EC	Compliant
China RoHS 2 Directive MIIT Order No 32, 2016	No Restricted Materials Above Threshold
EU REACH Regulation (EC) No. 1907/2006	Current ECHA Candidate List: JUNE 2024 (241) Candidate List Declared Against: JUNE 2024 (241) Does not contain REACH SVHC
Halogen Content	Low Halogen - Br, Cl, F, I < 900 ppm per homogenous material. Also BFR/CFR/PVC Free
Solder Process Capability	Not applicable for solder process capability

Product Compliance Disclaimer

This information is provided based on reasonable inquiry of our suppliers and represents our current actual knowledge based on the information they provided. This information is subject to change. The part numbers that TE has identified as EU RoHS compliant have a maximum concentration of 0.1% by weight in homogenous materials for lead, hexavalent chromium, mercury, PBB, PBDE, DBP, BBP, DEHP, DIBP, and 0.01% for cadmium, or qualify for an exemption to these limits as defined in the Annexes of Directive 2011/65/EU (RoHS2). Finished electrical and electronic equipment products will be CE marked as required by Directive 2011/65/EU. Components may not be CE marked. Additionally, the part numbers that TE has identified as EU ELV compliant have a maximum concentration of 0.1% by weight in homogenous materials for lead, hexavalent chromium, and mercury, and 0.01% for cadmium, or qualify for an exemption to these limits as defined in the Annexes of Directive 2000/53/EC (ELV). Regarding the REACH Regulation, the information TE provides on SVHC in articles for this part number is based on the latest European Chemicals Agency (ECHA) 'Guidance on requirements for substances in articles' posted at this URL: <https://echa.europa.eu/guidance-documents/guidance-on-reach>

Compatible Parts



TE Part # CAT-DCH2623
Data Connectivity Header



TE Part # CAT-M8793-CH8172
MQS, CONNECTOR HOUSING



TE Part # 2-1355524-3
MQS ABDECKKAPPE 12P



TE Part # CAT-M8793-T273
MQS, RECEPTACLE AND TAB



TE Part # CAT-LMPH9507
Low & Medium Power Header



TE Part # 1823373-1
16POS,TAB 2.8X0.8,TAB HSG



TE Part # 2208788-1
52POS, MIXED,HEADER ASSY



TE Part # 1355528-2
MPQ 2.KONT-SICHNG8P



TE Part # 1-1355524-3
MQS ABDECKKAPPE 12P



TE Part # 1718228-2
COVER FOR MQS SOCKET HSG.,
12POSN.



TE Part # 1718228-1
COVER FOR MQS SOCKET HSG.,
12POSN.

Customers Also Bought



TE Part #969044-1
TIMER, RECEPTACLE AND TAB



TE Part #1379659-1
TH/.025 CONNECTOR SYSTEM,
HOUSING



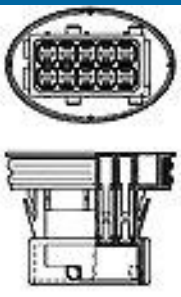
TE Part #8-1618404-1
LEV200AKNAF=RELAY, SPST-NO
72VDC



TE Part #1-2098922-5
SDM,54P PLUG ASY,RHL,KEY A



TE Part #1-2112891-5
36POS,TAB 1.5X0.6,TAB HSG,ASSY



TE Part #929178-1
FLACHSTE-GEH,2,8 10P



Documents

Product Drawings

[16POS MIXED MQS REC](#)

English

CAD Files

Customer View Model

[ENG_CVM_1241765-2_F.3d_igs.zip](#)

English

Customer View Model

[ENG_CVM_1241765-2_F.3d_stp.zip](#)

English

Customer View Model

[ENG_CVM_1241765-2_F.2d_dxf.zip](#)

English

3D PDF

English

By downloading the CAD file I accept and agree to the [Terms and Conditions](#) of use.

Product Specifications

[Connector with optical contacts \(MOST\) and electrical contacts](#)

English

[Application Specification](#)

English

Looking for pricing, stock, or lifecycle information?

Click below to explore more details on WIN SOURCE:

[View 1241765-2 on WIN SOURCE](#)

[TE Connectivity Information](#)

Optimize Your Supply Chain with WIN SOURCE Solutions

- ✓ Global Sourcing Solution
- ✓ Obsolete Management
- ✓ Cost Control Management
- ✓ Shortage Management
- ✓ Alternative Solution
- ✓ Excess Inventory Management