

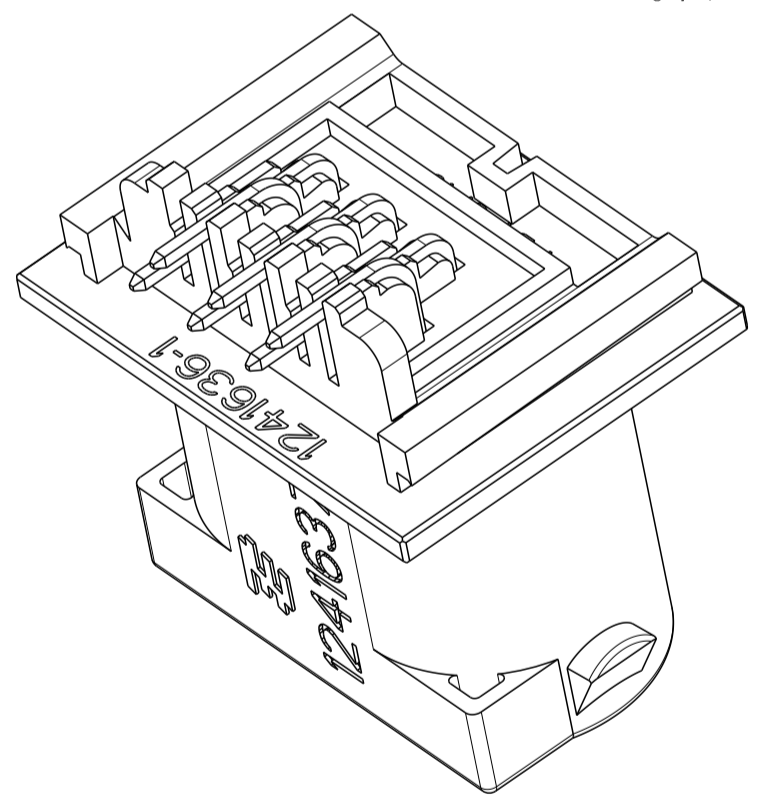
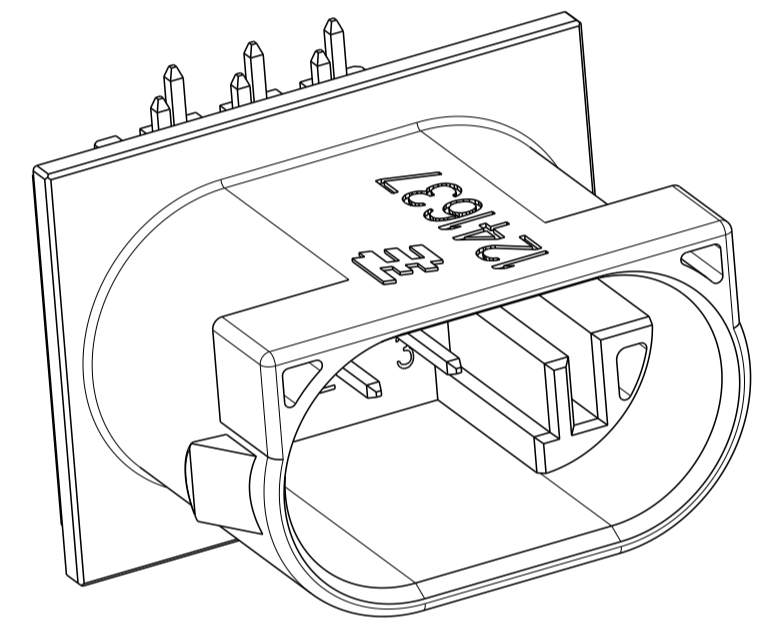
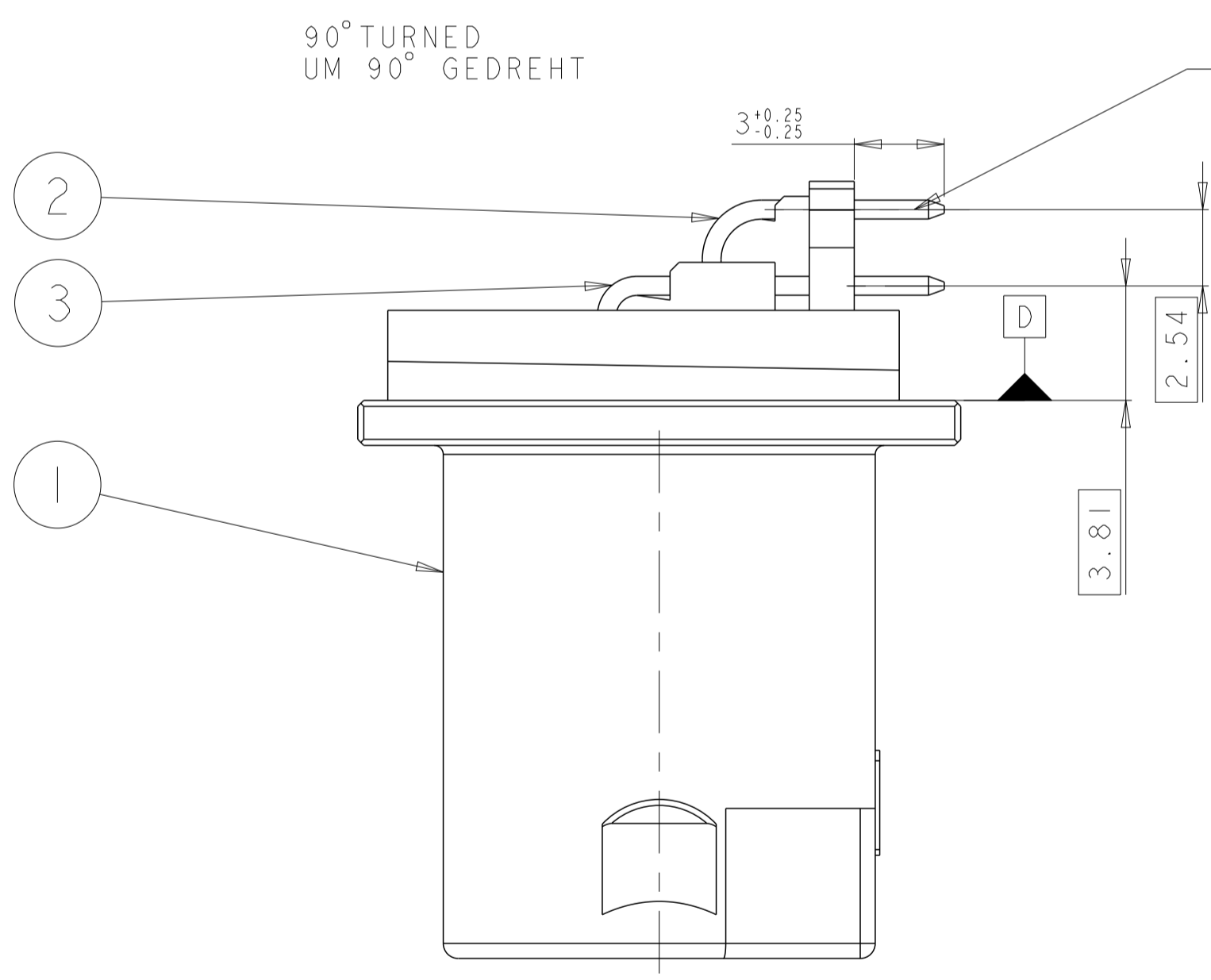
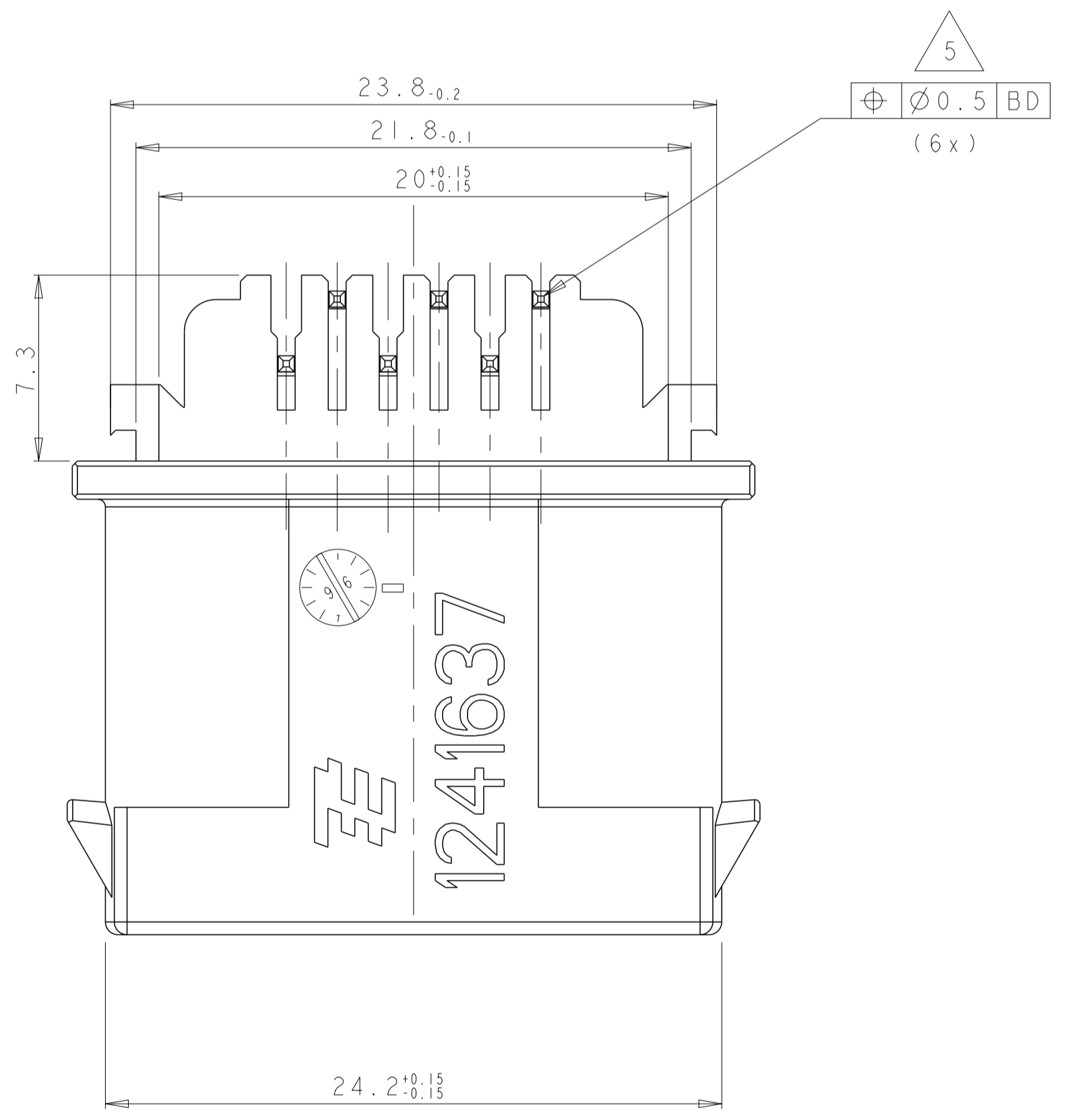
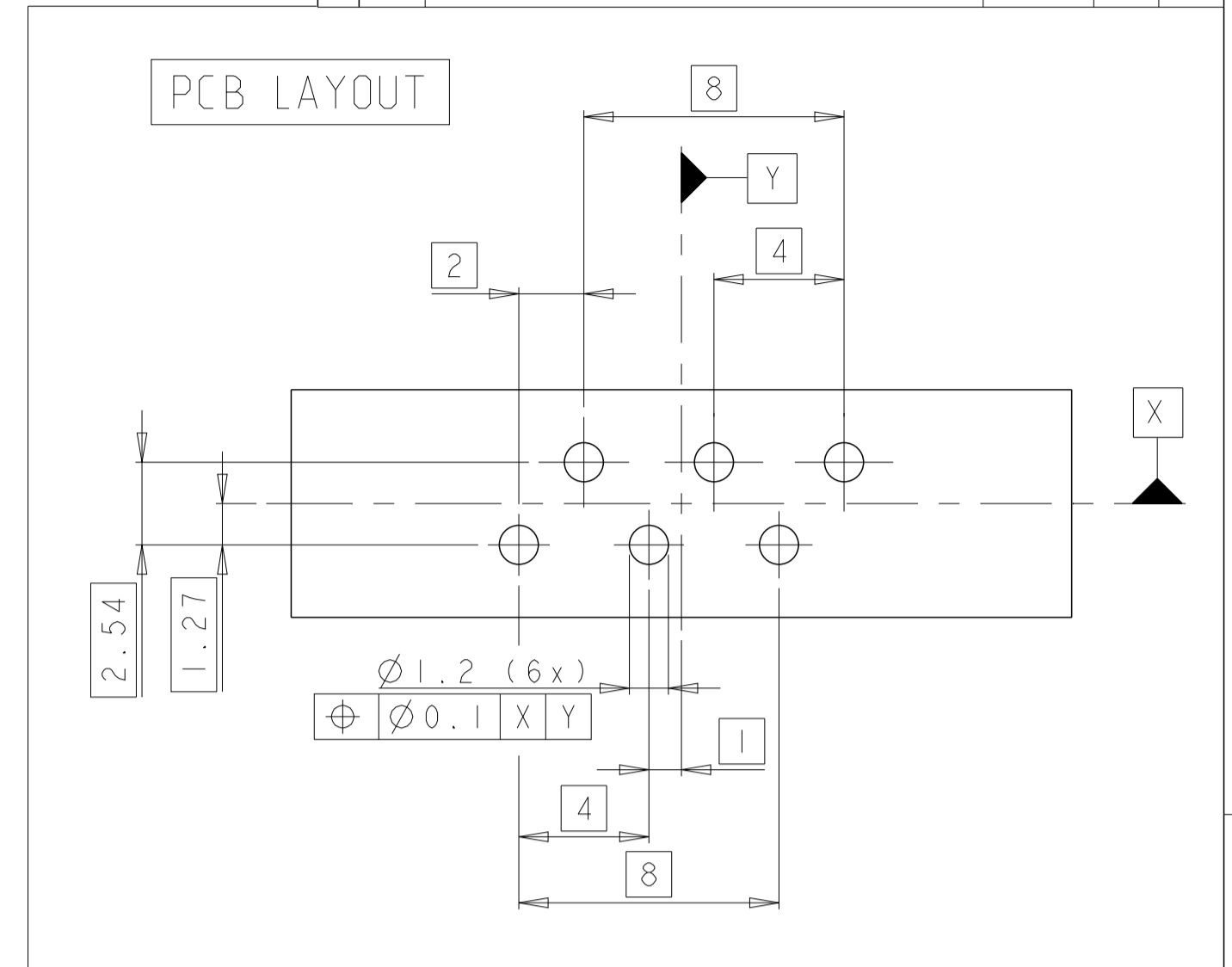
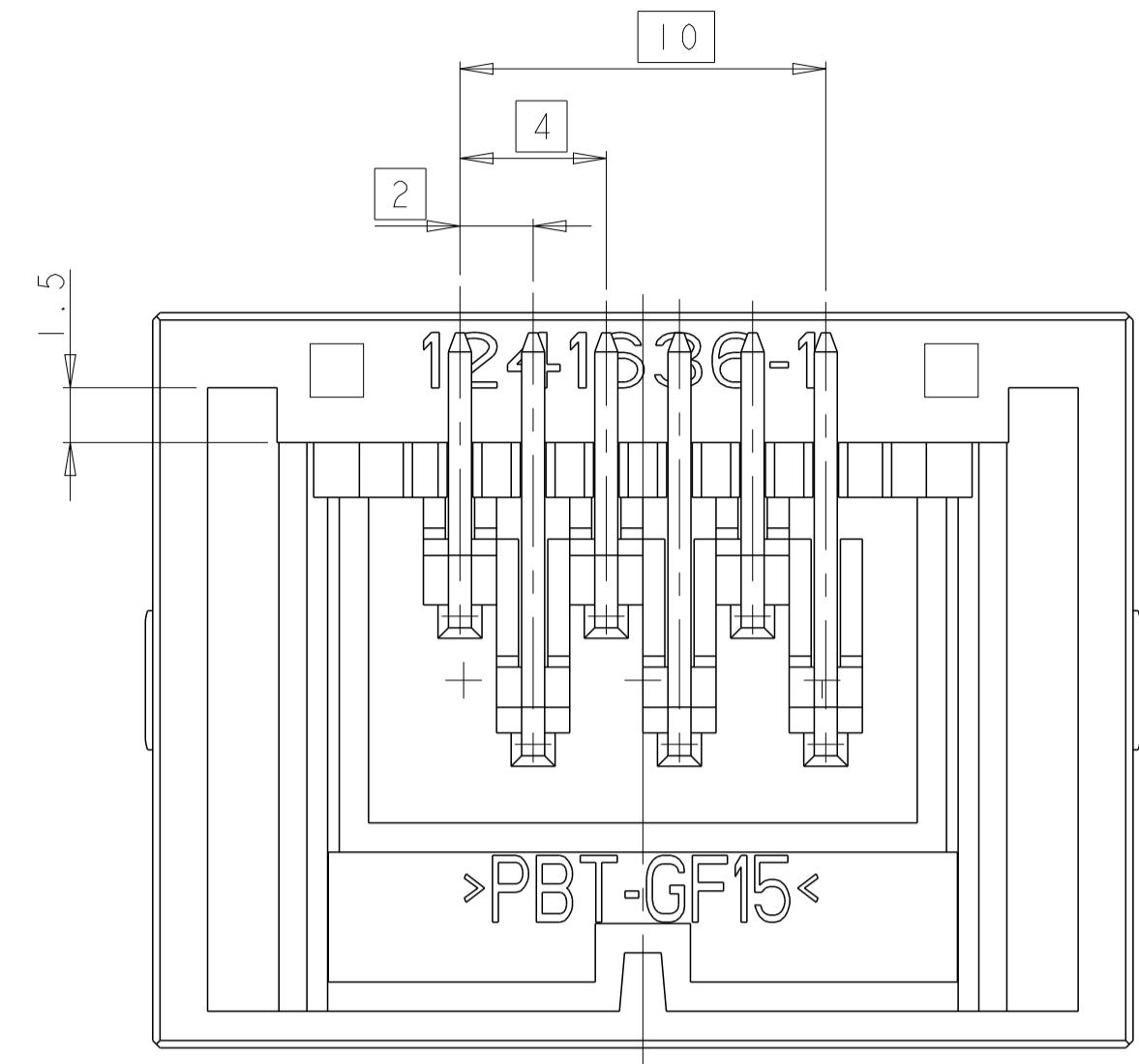
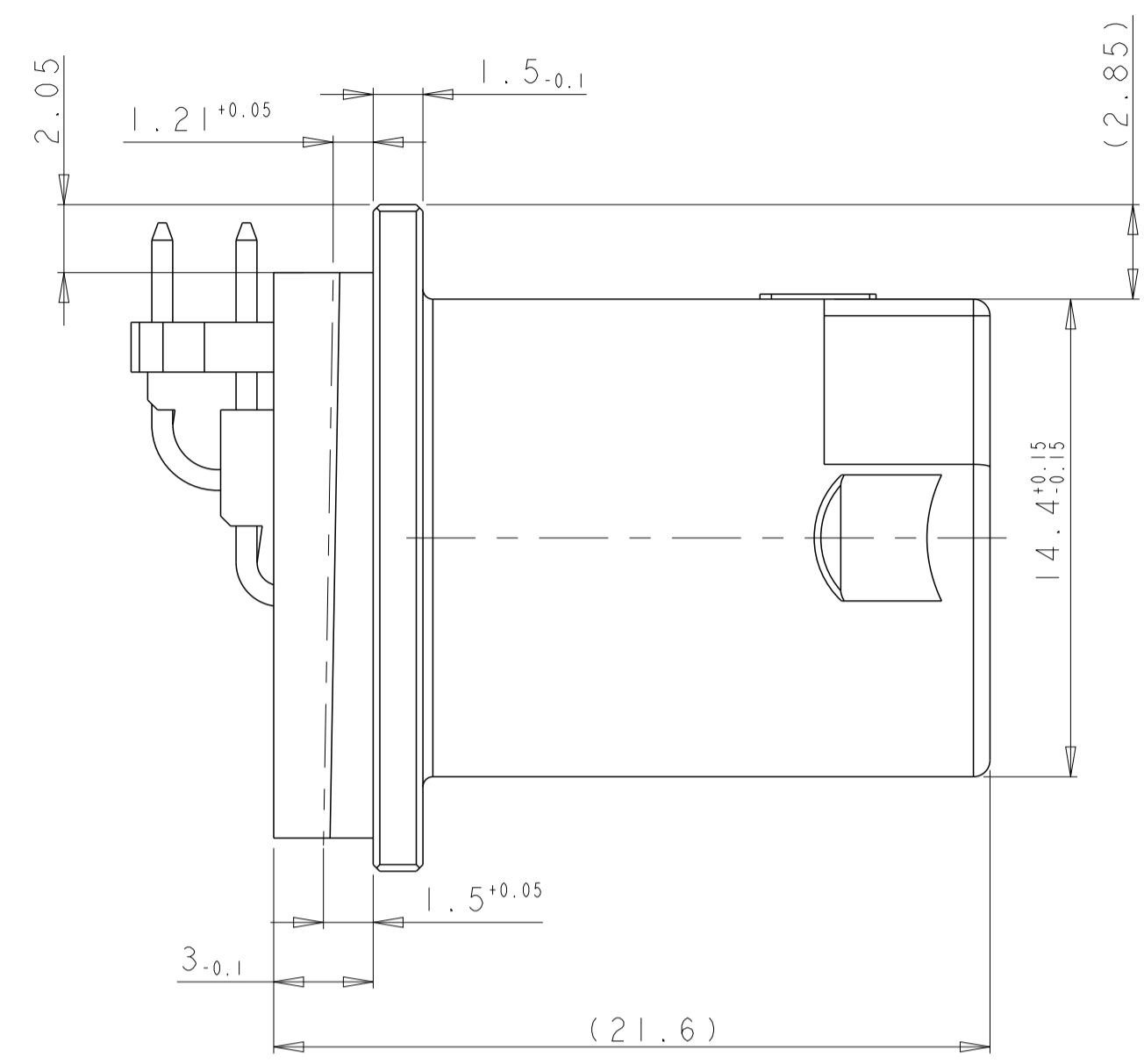
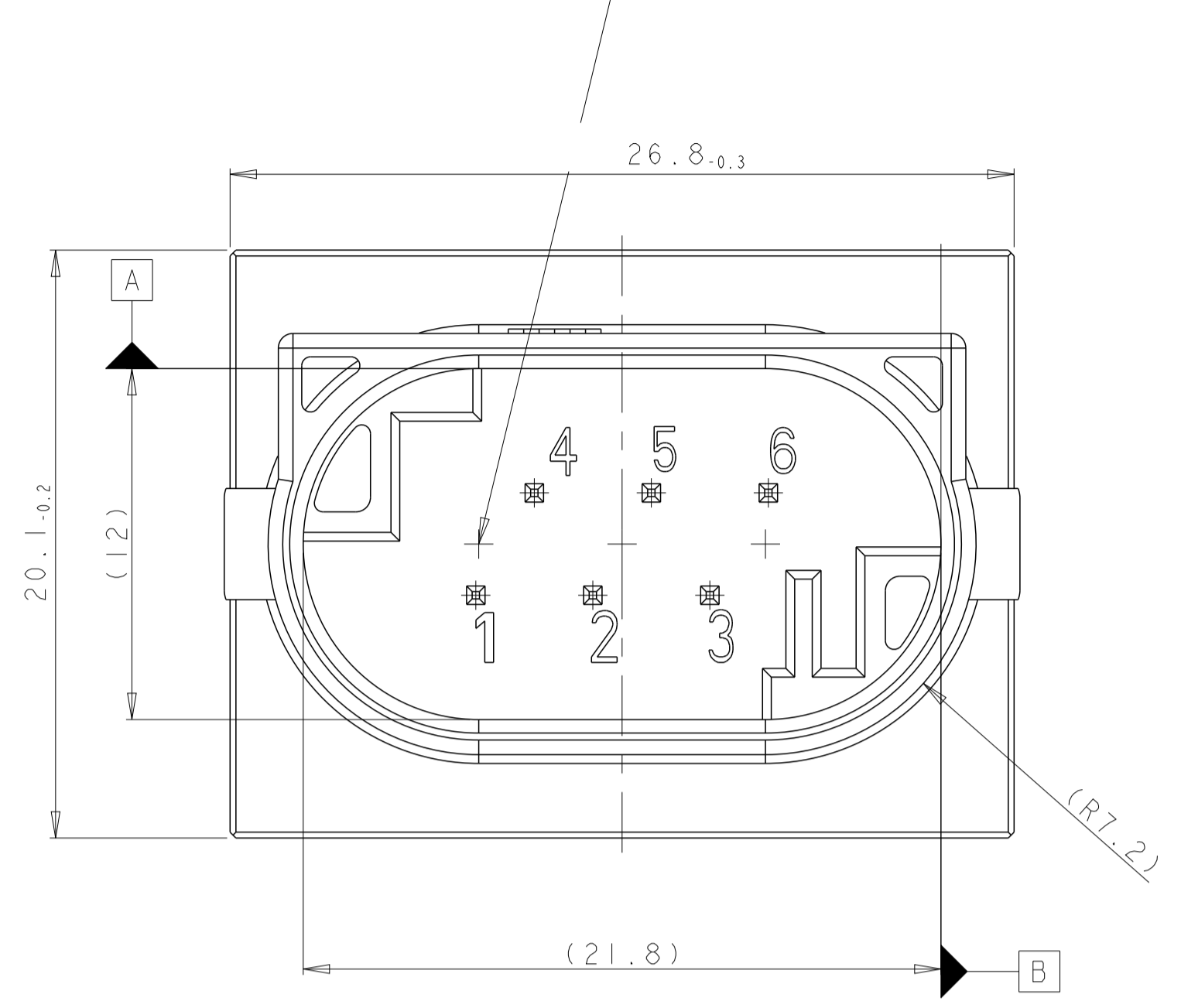


**THE DATASHEET OF**  
**1241637-1**



REVISIONS				
P.	LTH.	DESCRIPTION	DATE	APVD.
A5		ECR-17-004871	05APR2017	NL NL
A6		PCB-LAYOUT ADDED	08MAY2018	RM HB

DESIGN ACC. TO AV 114-18063-21, COD A  
AUSFUEHRUNG NACH



NOTES  
Bemerkungen

- PACKING: LOOSE PIECE IN TE-BOX  
Verpackung: Schuetfgut in TE-Karton
- PRESS OUT FORCE > 25N WITH SPEED 25mm/min  
Kontaktausdruckkraft > 25N mit Vorschub 25mm/min
- SOLDER HEAT RESISTANCE ACCORDING TO DIN EN 60068-2-20  
Loetbestaendigkeit gemass DIN EN 60068-2-20
- PRODUCT SPECIFICATION 108-18568-0  
Produkt Spezifikation
- PROOFED BY GAUGE 90-244789  
Lehrenpruefung

ORDER-No BESTELL-No.	REV.	POS.	QTY. STUECK	DESCRIPTION BENENNUNG	MATERIAL	COLOR/FINISH FARBE/OBERFLAECHE
1241637-3	A	3	3	MOS PIN	CuMg 0,1	GOLD PLATED/vergoldet
		2	3	MOS PIN	CuMg 0,1	GOLD PLATED/vergoldet
		1	1	MOS, PIN HOUSING	PBT-GF15	BLACK/Schwarz
1241637-2	A	3	3	MOS PIN	CuMg 0,1	PRETINNED/vorverz.
		2	3	MOS PIN	CuMg 0,1	PRETINNED/vorverz.
		1	1	MOS, PIN HOUSING	PBT-GF15	BLACK/Schwarz
1241637-1	A	3	3	MOS PIN	CuMg 0,1	PRETINNED/vorverz.
		2	3	MOS PIN	CuMg 0,1	PRETINNED/vorverz.
		1	1	MOS, PIN HOUSING	PBT-GF15	BLACK/Schwarz

ADDITIONAL PLATING INFORMATION FOR 1241637-3			
MATING AREA		SOLDER AREA	
PLATING THICKNESS	LENGTH	PLATING THICKNESS	LENGTH
MIN. 0.8µm Au OVER Ni	5.5mm	3-5µm Sn OVER Ni	5.5mm

THIS DRAWING IS A CONTROLLED DOCUMENT.		OWN V. Holzmann	10NOV2004	TE Connectivity
DIMENSIONS: mm		TOLERANCES UNLESS OTHERWISE SPECIFIED:	APVD	
MATERIAL SEE TABLE siehe Tabelle		0 PLC 1 PLC 2 PLC 3 PLC 4 PLC ANGLES	PRODUCT SPEC 108-18568-0	NAME MOS, PIN HEADER, 6 POS. MOS, Stiffliste, 6-pol.
FINISH SEE TABLE siehe Tabelle		APVD	APPLICATION SPEC	SIZE CAGE CODE DRAWING NO A100779C=1241637
CUSTOMER DRAWING		WEIGHT 4.75g	RESTRICTED TO	SCALE 5:1 SHEET 1 OF 1 REV A6

## Looking for pricing, stock, or lifecycle information?

Click below to explore more details on WIN SOURCE:

 [View 1241637-1](#) on WIN SOURCE

 [TE Connectivity](#) Information

## Optimize Your Supply Chain with WIN SOURCE Solutions

-  Global Sourcing Solution
-  Obsolete Management
-  Cost Control Management
-  Shortage Management
-  Alternative Solution
-  Excess Inventory Management