



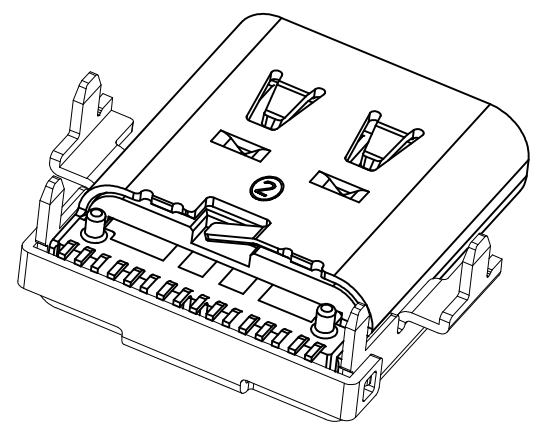
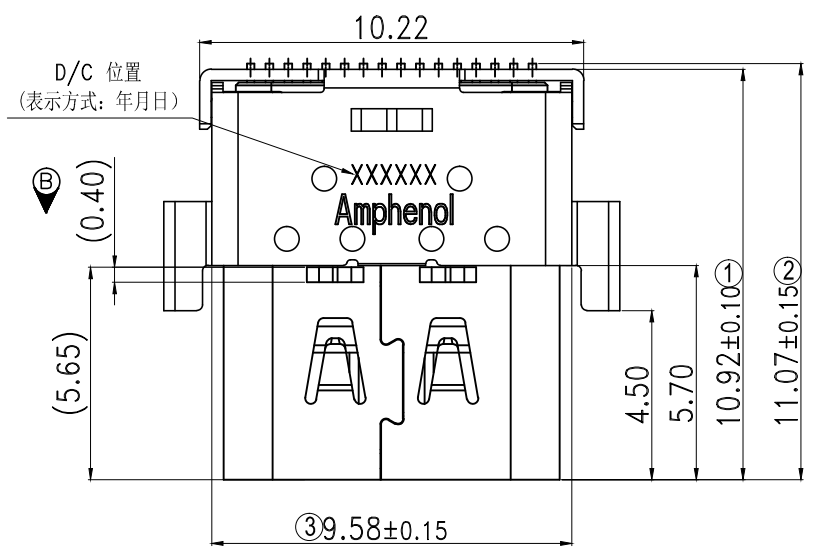
THE DATASHEET OF
12401948E412A



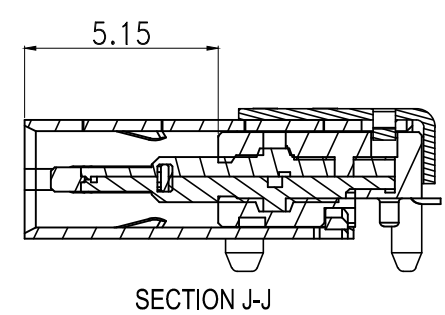
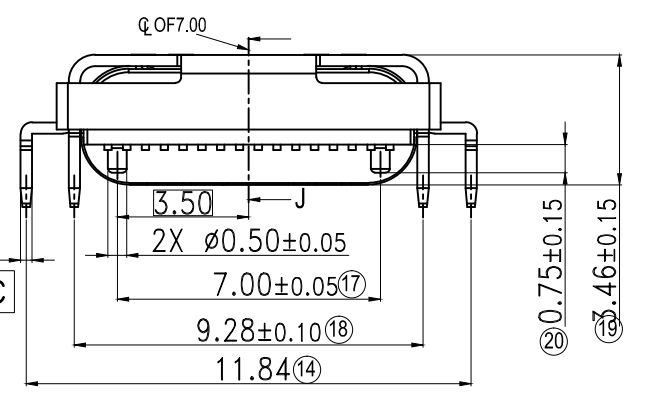
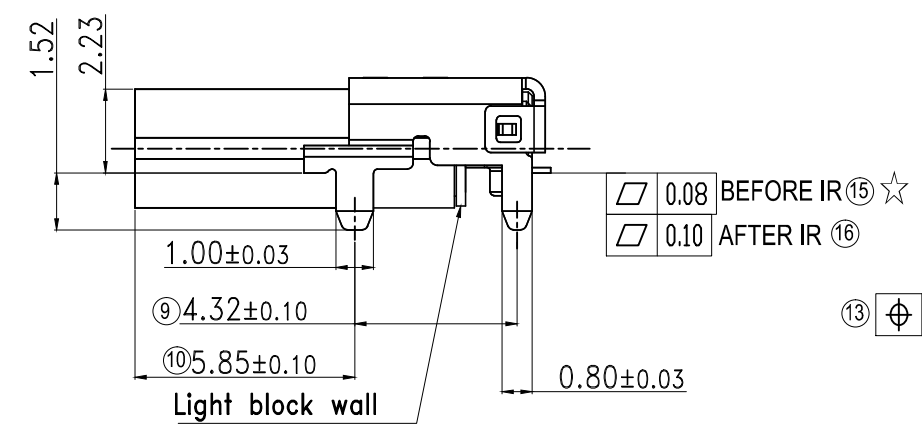
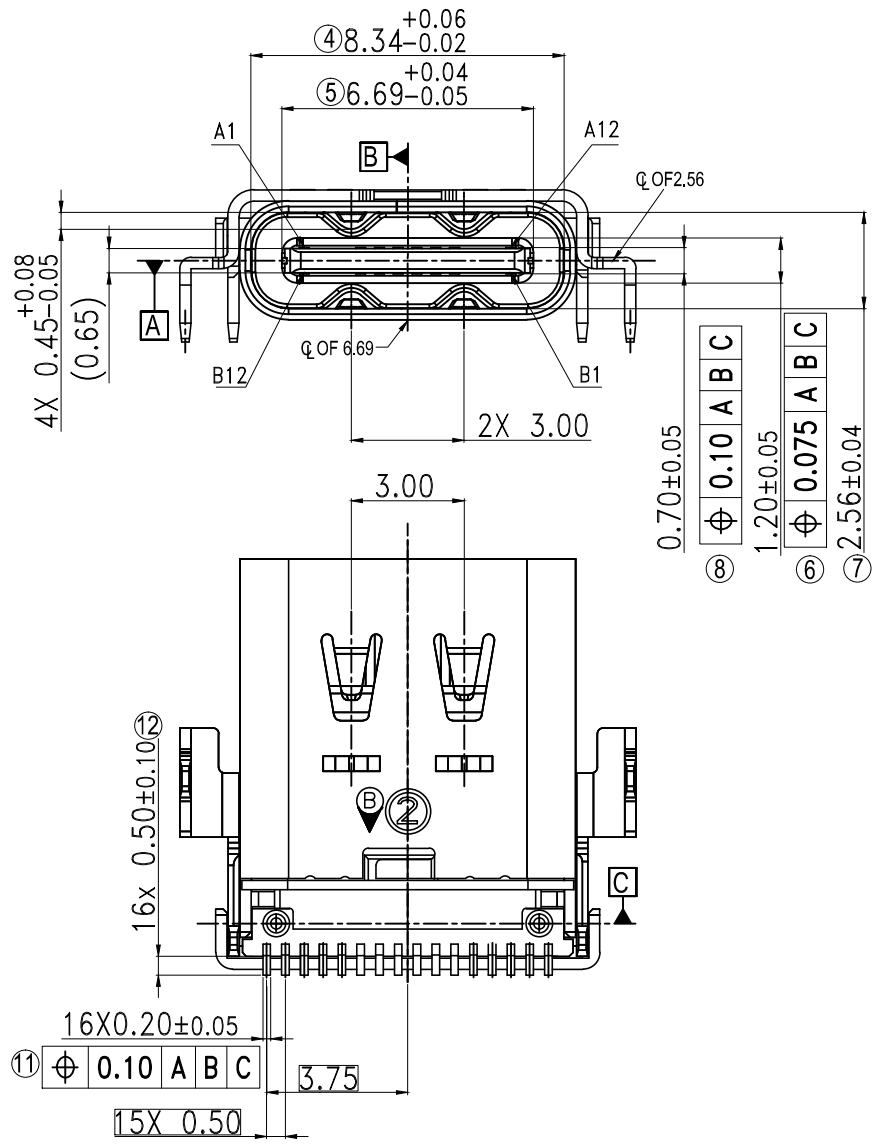
This document is the property of Amphenol Corporation and is delivered on the express condition that it is not to be disclosed, reproduced or used, in whole or in part, for manufacture or sale by anyone other than Amphenol Corporation without its prior consent, & that no right is granted to disclose or to use any information in this document.



REVISIONS				
SYM	ECN	DESCRIPTION	DATE	APPROVED
A	18010001	NEW RELEASE	2018/04/08	Tom
B	HK9045	Modify stopper for customer request	2020/09/11	Michael.lp



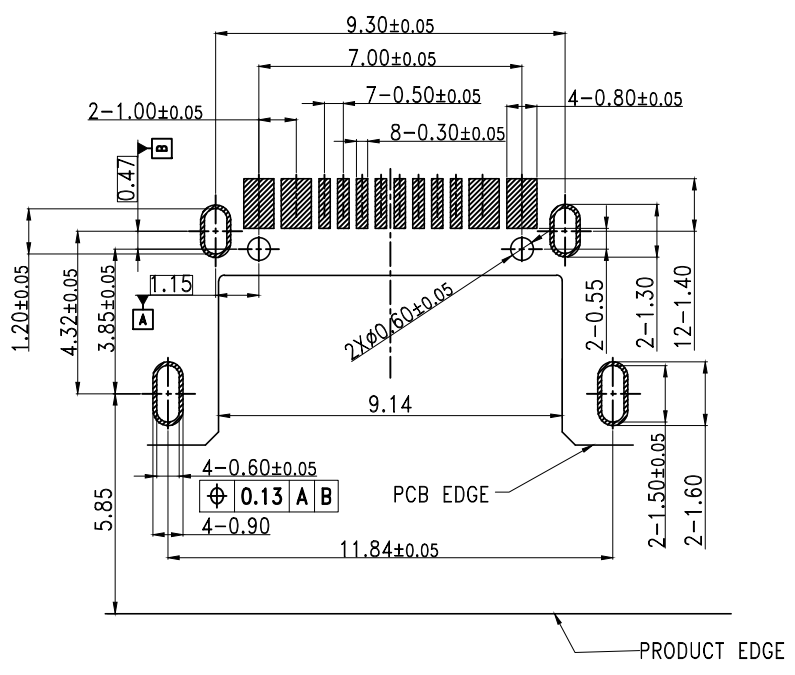
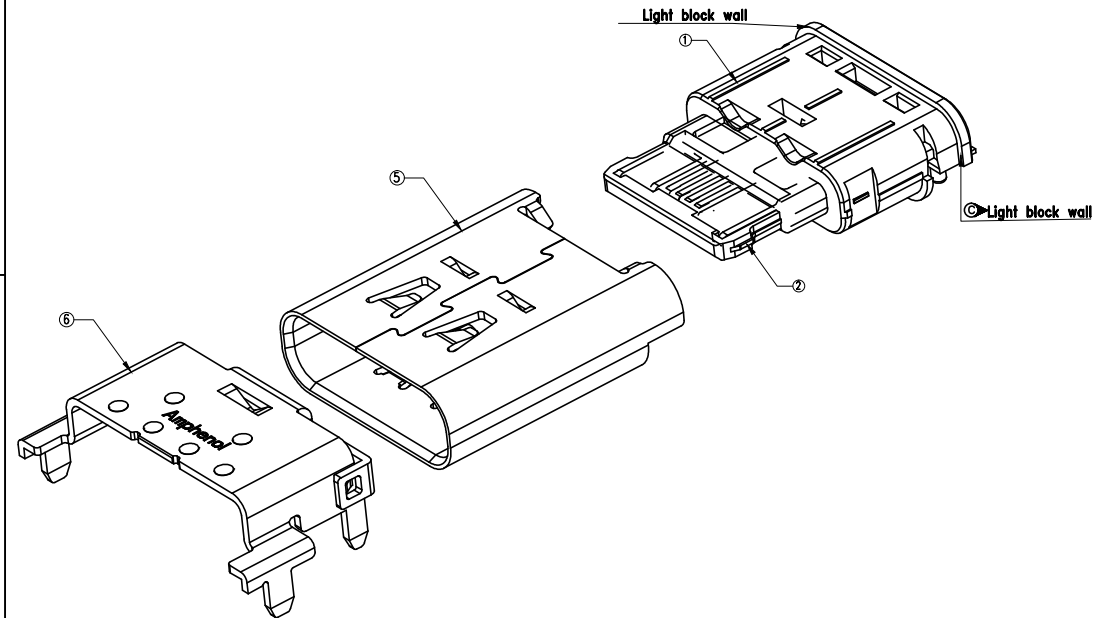
Pin No	Signal Name	Mating Sequence	Pin No	Signal Name	Mating Sequence
A1	GND	First	B12	GND	First
A2			B11		
A3			B10		
A4	Vbus	First	B9	Vbus	First
A5	CC1	Second	B8	SBU2	Second
A6	D+	Second	B7	D-	Second
A7	D-	Second	B6	D+	Second
A8	SBU1	Second	B5	CC2	Second
A9	Vbus	First	B4	Vbus	First
A10			B3		
A11			B2		
A12	GND	First	B1	GND	First
SHELL	GND		SHELL	GND	



UNLESS OTHERWISE SPECIFIED TOLERANCES U.S. METRIC .X +/- 0.20 .XX +/- 0.10 .XXX +/- 0.05 FRACTIONS +/- ANGLES +/- 1° FOR MATERIALS AND FINISHES SEE NOTES REMOVE SHARP EDGES DIMENSIONS U.S. INCHES (METRIC) (MM)	APPROVAL DRAWN Huiwen.Liu 09/11/20' CHECKED Michael.Qin 09/11/20' CHECKED Michael.Qin		DATE 09/11/20'		<h1>Amphenol</h1> TITLE USB 2.0 TYPE C CONNECTOR	
	DRAWING FILE : DRAWINGTYPE-C12401948_B		SIZE A3			REV. B
	SCALE NONE		SHEET 1 OF 2			DRAWING NO. 12401948
	ANGLE OF PROJECTION 		SCALE NONE			SHEET 1 OF 2

This document is the property of Amphenol Corporation and is delivered on the express condition that it is not to be disclosed, reproduced or used, in whole or in part, for manufacture or sale by anyone other than Amphenol Corporation without its prior consent, & that no right is granted to disclose or to use any information in this document.

REVISIONS				
SYM	ECN	DESCRIPTION	DATE	APPROVED
SEE PAGE 1				

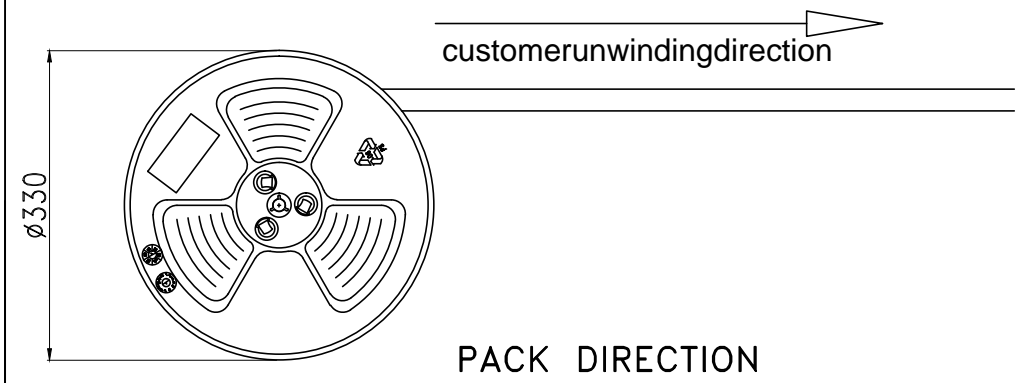
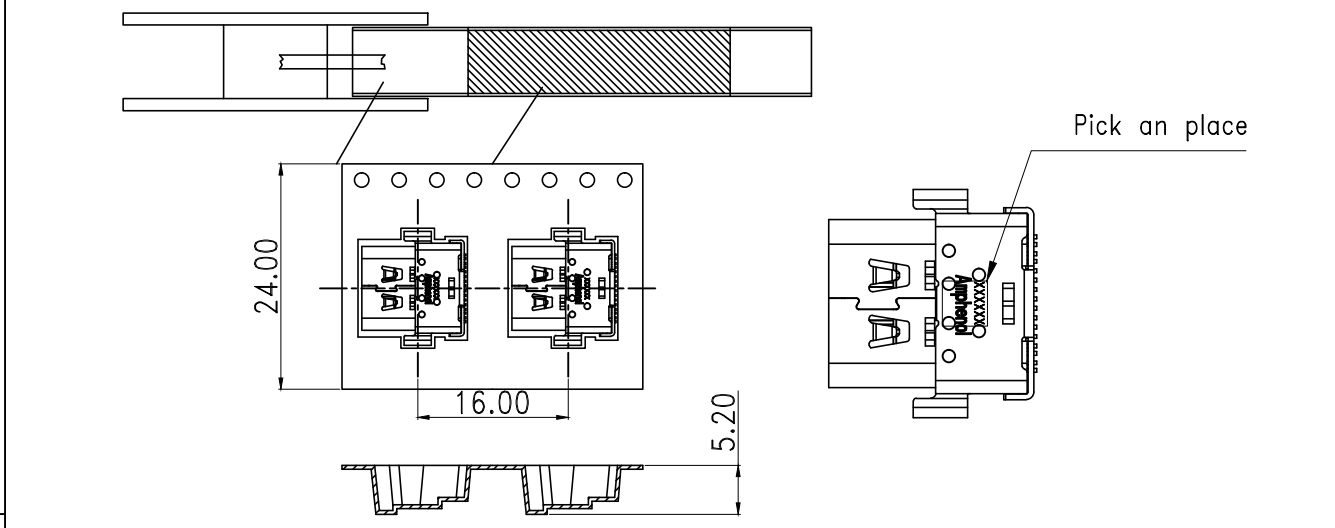


RECOMMENDED PCB LAYOUT
(Tolerance=±0.05)



Notes:

- Coplanarity : 0.08Max before IR, 0.10Max after IR.(平面度:0.08 Max炉前;0.10 Max炉后).
- P/N : 12401834E412A.(料号:12401834E412A)
- Packaging type: carrier tape.(包装:载带包装)
- Electrical characteristics
Low level contact resistance: 40mΩ Max
Insulation resistance :100MΩ Min
Dielectric withstanding voltage:100 VAC;
Contact current rating:5A Max
- Mechanical characteristics
Insertion force: 5~20N
Extraction force: 8~20N
After durability extraction force: 6~20N
- Durability: 10000 Cycles
- Solder joint strength 125N min 点焊强度125N min
- CPK Dimension Marked "☆".(标示CPK尺寸"☆")
- Material should be fulfilled Amphenol spec# SSN002 AND Customer Requirements, for halogen free products, also need to meet SSN004.
(材料必须满足spec# SSN002及客户要求,无卤,以及SSN004文件要求.)



ITEM	DESCRIPTION	PART NO	Q'TY	MATERIAL	FINISH
6	OUTER SHELL	32401895K7	1	SUS304-1/2H	SOLDER NICKEL: 50U" MIN
5	INNER SHELL	32401894K7	1	SUS304-1/2H	SOLDER NICKEL: 50U" MIN
4	TOP TERMINAL	32401892E4	1	C1814-H	MATING SIDE:30u" AU MIN; SOLDER TAIL:MATTE TIN 80u"MIN, 50 NICKEL OVERALL.
3	BOTTOM TERMINAL	32401893E4	1	C1814-H	MATING SIDE:30u" AU MIN; SOLDER TAIL:MATTE TIN 80u"MIN, 50 NICKEL OVERALL.
2	MID PLATE	32401896K7	1	SUS301-H	SOLDER NICKEL: 50U" MIN
1	MAIN HOUSING	8240013002A	1	PA46 HFX33S	BLACK UL94V-0

UNLESS OTHERWISE SPECIFIED TOLERANCES		APPROVAL		DATE
U.S.	METRIC	DRAWN	Huiwen.Liu 09/11/20'	
.X +/-	0.20	CHECKED	Michael.Qin 09/11/20'	
.XX +/-	0.10	CHECKED	Michael.Qin	
.XXX +/-	0.05	DRAWING FILE :		
FRACTIONS +/-	1"	DRAWING\TYPE-C\12401948_B		
ANGLES +/-		ANGLE OF PROJECTION		
REMOVE SHARP EDGES				
DIMENSIONS				
U.S.	INCHES	SIZE	DRAWING NO.	REV.
(METRIC)	(MM)	A3	12401948	B
		SCALE	NONE	SHEET 2 OF 2

Amphenol

TITLE
USB 2.0 TYPE C CONNECTOR

Looking for pricing, stock, or lifecycle information?

Click below to explore more details on WIN SOURCE:

 [View 12401948E412A on WIN SOURCE](#)

 [Amphenol Information](#)

Optimize Your Supply Chain with WIN SOURCE Solutions

-  Global Sourcing Solution
-  Obsolete Management
-  Cost Control Management
-  Shortage Management
-  Alternative Solution
-  Excess Inventory Management