

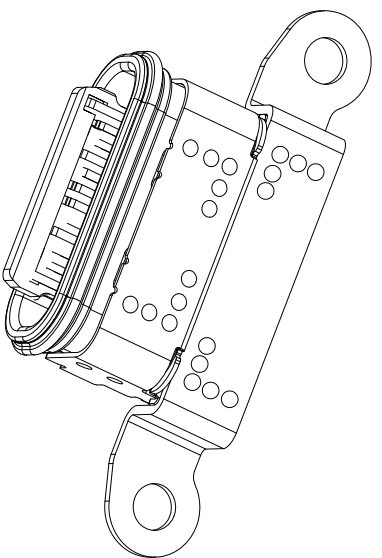


**THE DATASHEET OF  
124018792112A**

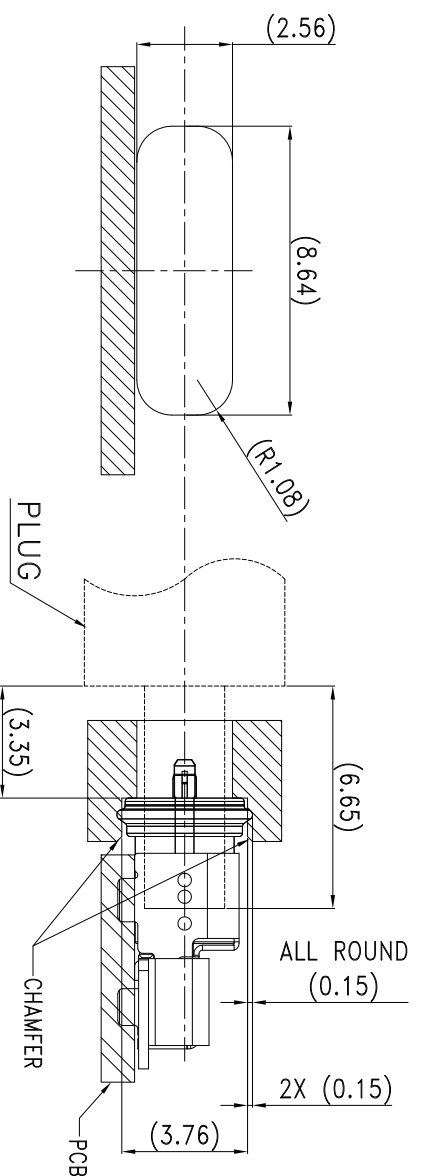
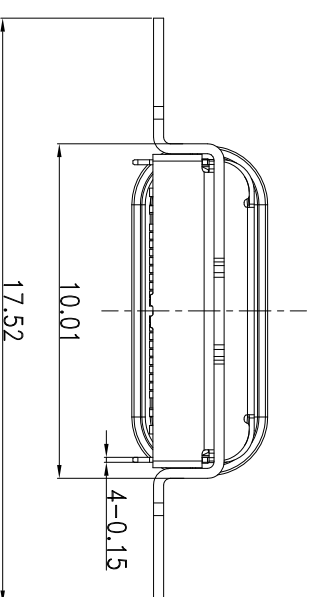
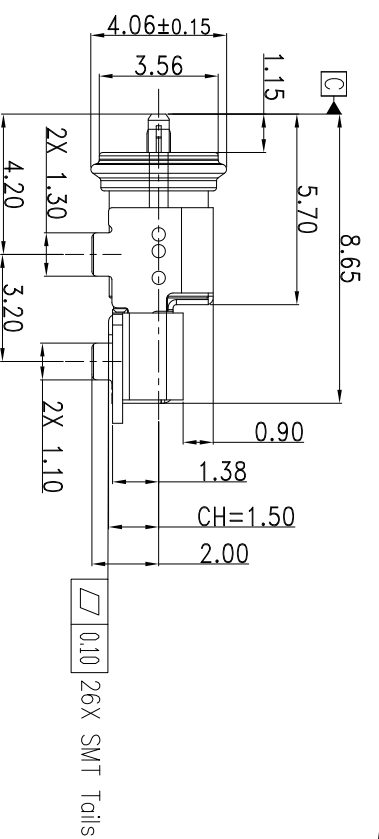
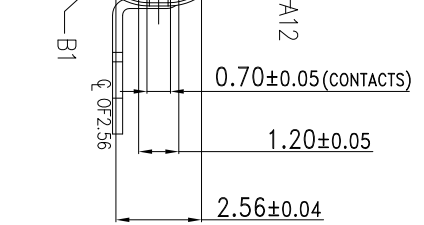


# CUSTOMER DRAWING

REVISIONS			DATE	APPROVED
1	NEW RELEASE	2020/01/09	Tom.Tang	
2	Update	2020/12/25	Tom.Tang	
3	Add welding spot	2023/03/29	Tom.Tang	



Pin No	Signal Name	Mating Sequence	Pin No	Signal Name	Mating Sequence
A1	GND	First	B12	GND	First
A2	TX1+	Second	B11	RX1+	Second
A3	TX1-	Second	B10	RX1-	Second
A4	Vbus	First	B9	Vbus	First
A5	CC1	Second	B8	SBU2	Second
A6	D+	Second	B7	D-	Second
A7	D-	Second	B6	D+	Second
A8	SBU1	Second	B5	CC2	Second
A9	Vbus	First	B4	Vbus	First
A10	RX2-	Second	B3	TX2-	Second
A11	RX2+	Second	B2	TX2+	Second
A12	GND	First	B1	GND	First
	SHELL	GND		SHELL	GND

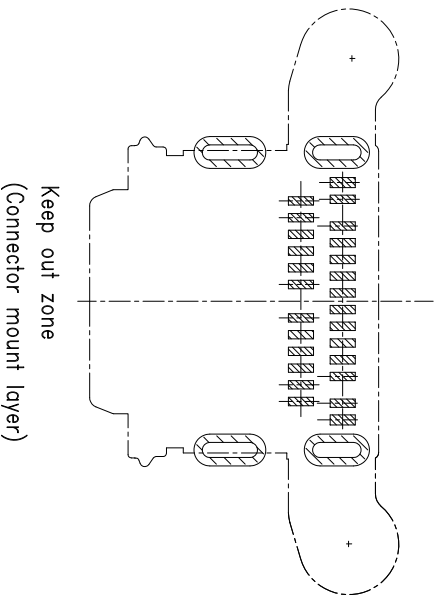
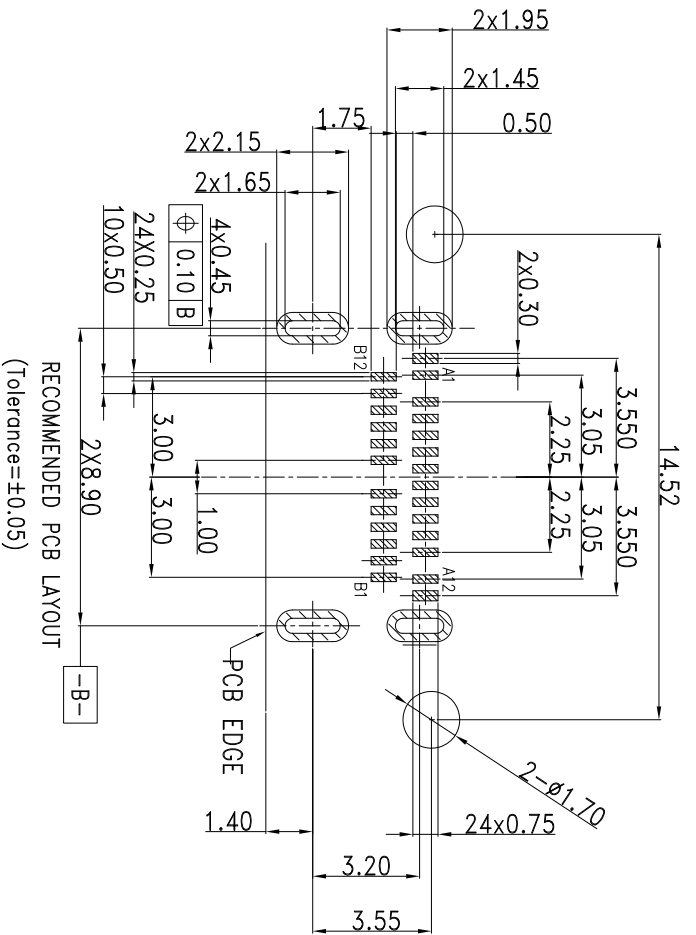


REF. PANEL DESIGN

4X 0.20±0.05  
2X0.25±0.05

UNLESS OTHERWISE SPECIFIED TOLERANCES		APPROVAL		DATE		TITLE	
U.S.	METRIC	DRAWN	Alec.li	03/29/23	Amphenol East Asia Limited		
XXX	0.50	CHECKED	Michael.qin	03/29/23	USB 3.1 GEN1, Type C socket connector, R/A, top mount, Double SMT type, CH=1.50mm, Waterproof IPX8		
XX	0.25	DRAWING FILE : S:\PE Master \PLM		SIZE		A3	REV.
X	0.10	ANGLE OF PROJECTION		SCALE		NONE	3
FOR MATERIALS AND FINISHES SEE NOTES REMOVE SHARP EDGES		DIMENSIONS		SCALE		NONE	SHEET 1 OF 2
DIMENSIONS		INCHES (MM)		SCALE		NONE	SHEET 1 OF 2

# CUSTOMER DRAWING



REVISIONS				
SYM	ECN	DESCRIPTION	DATE	APPROVED
		SEE PAGE 1		

### NOTES/注释:

- MATERIAL/材料: SEE TABLE/见下表
- GENERAL SPECIFICATION/通用特性:
  - COPLANARITY /共面度: 0.10 Max.
  - CURRENT RATING: 5A / 额定电流: 5安培
  - CONTACT RESISTANCE: 40mΩ MAX (INITIAL), INSULATION RESISTANCE: 100MΩ Min  
接触电阻: 40毫欧最大(初始值) / 绝缘电阻: 100MΩ Min
  - DIELECTRIC WITHSTANDING VOLTAGE: 100 VAC  
耐电压: 100伏交流
- MECHANICAL CHARACTERISTICS:
  - INSERTION FORCE: 5~20N EXTRACTION FORCE: 8~20N  
力学特性: 初始插入力: 5~20N 拔出力: 8~20N
  - DURABILITY: 10000 CYCLES / 耐久性: 10000次
- PACKAGING TYPE: CARRIER TAPE / 包装类型: 载带包装
- WATERPROOF CLASS IPX8/防水等级 IPX8
- DIMENSIONING SHALL BE INTERPRETED PER ASME Y14.5M 1994.  
尺寸标注基于 ASME Y14.5M 1994标准规范
- MATERIAL SHOULD BE FILLED AMPHENOL SPEC.# S-SN-002, FOR HALOGEN FREE PRODUCTS, ALSO NEED TO MEET S-SN-004.  
产品材料环保标准为 Amphenol SSN#002, 如果是无卤产品需满足标准 SSN#004
- ORDER P/N SYSTEM/产品料号编码系统: 12401879XX12A

Plating Spec:  
 21: Mating Area: Au 30u" Min  
 Solder Area: Gold flash  
 50u" Min Nickel Under Plating Over All

A:HF  
 Package Spec.  
 2:Reel  
 Date Code Description  
 0:Without D/C  
 1:With D/C

ITEM	DESCRIPTION	Q'TY	MATERIAL	FINISH
9	OUTER SHELL	1	STAINLESS STEEL	CLEAN
8	LIM	1	CHN-MS-50-A/B	BLACK
7	SMALL SHELL	1	STAINLESS STEEL	CLEAN
6	MAIN SHELL	1	STAINLESS STEEL	CLEAN
5	SUB-SHELL	1	STAINLESS STEEL	Solder Nickel: 50U" MIN
4	TOP TERMINAL	1	COPPER ALLOY	SEE NOTES
3	BOTTOM TERMINAL	1	COPPER ALLOY	SEE NOTES
2	MID PLATE	1	STAINLESS STEEL	NICKEL: 50U" MIN
1	MAIN HOUSING	1	High Temperature plastic	BLACK

### UNLESS OTHERWISE SPECIFIED TOLERANCES

	U.S.	METRIC
X	+/-	0.50
XX	+/-	0.25
XXX	+/-	0.10
ANGLES	+/-	

DRAWING FILE : S:\PE Master \P1M  
 REMOVE SHARP EDGES

DIMENSIONS	INCHES	MILLIMETERS
U.S.		(METRIC)

APPROVAL	DATE	TITLE	SIZE	SCALE	SHEET	REV.
DRAWN: Alec.li CHECKED: Michael.qin	03/29/23	Amphenol East Asia Limited	A3	NONE	2 OF 2	3

Amphenol East Asia Limited  
 USB 3.1 GEN1, Type C socket connector,  
 R/A, top mount, Double SMT type,  
 CH=1.50mm, Waterproof IPX8



100 Pcs/Reel,  
 3 Reels/Carton.

Pcs Empty

## Looking for pricing, stock, or lifecycle information?

Click below to explore more details on WIN SOURCE:

[View 124018792112A on WIN SOURCE](#)

[Amphenol Information](#)

## Optimize Your Supply Chain with WIN SOURCE Solutions

- ✓ Global Sourcing Solution
- ✓ Obsolete Management
- ✓ Cost Control Management
- ✓ Shortage Management
- ✓ Alternative Solution
- ✓ Excess Inventory Management