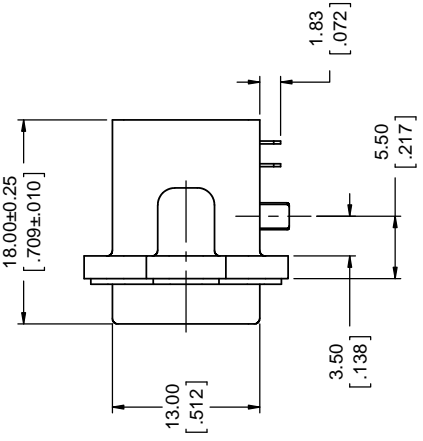
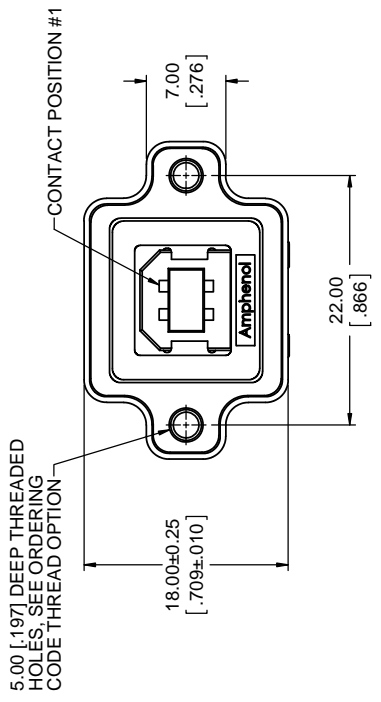




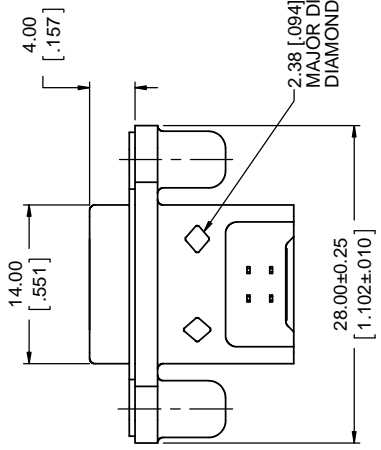
**THE DATASHEET OF
MUSBD111M0**



REV	A
C	
D	

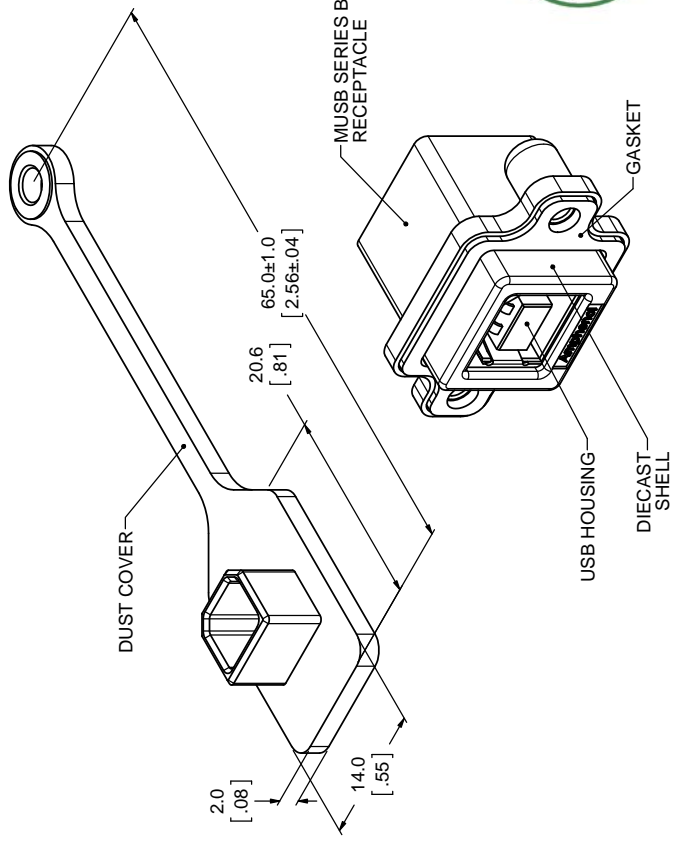


0.58 [.023] x
0.25 [.010]
PCB TAIL



ORDERING CODE:
SERIES, RUGGED US
USB SERIES 'B' RECEPTACLE
RIGHT ANGLE PCB TAIL
THREAD OPTION —
3 = #4-40 UNC. THREAD/
M = M3 x 0.5 THREAD

DUST COVER OPTION:
0 = NO DUST COVER
1 = WITH GREY DUST COVER
5 = WITH BLACK DUST COVER



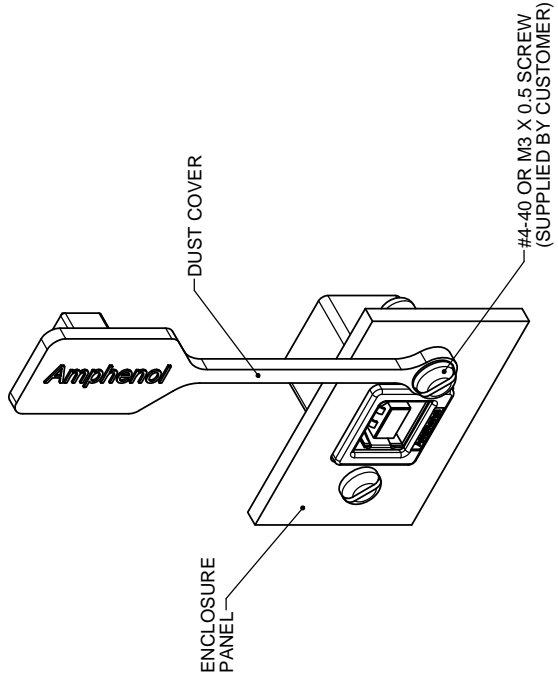
NOTES:

- MATERIAL: ALL MATERIALS ARE RoHS COMPLIANT PER EU DIRECTIVE 2002/95/EC.
OUTER SHELL: DIECAST ZINC ALLOY
CONTACTS: COPPER ALLOY, PLATED WITH 0.7 MICRONS OF NICKEL ON THE MATING AREA WITH TIN PLATING
USB HOUSING: ENGINEERING THERMOPLASTIC RATING UL94V-0, WHITE
USB SHIELD AND BACK COVER: COPPER ALLOY
GASKET: SILICONE RUBBER, BLACK
DUST COVER: SILICONE RUBBER WITH NICKEL PLATING
CODE FOR DUST COVER OPTIONS
- ENVIRONMENTAL PERFORMANCE PER IEC 60529 AREA AND PCB SIDE OF CONNECTOR, GASKET PROTECTS ENCLASURE PANEL, AVAILABLE DUST COVER PART NUMBER: P/N MUSB-2D11-004BP FOR THE GREY DUST COVER AND P/N MUSB-2D11-014BP FOR THE BLACK DUST COVER
- CURRENT RATING: 1.5 AMPERES
- CONTACT RESISTANCE: 30 MILLIOHMS MAXIMUM
- OPERATING TEMPERATURE: -40°C TO +105°C
- DUST COVERS MAY BE ORDERED SEPARATELY, SEE ORDERING CODE
P/N MUSB-2D11-004BP FOR THE GREY DUST COVER
P/N MUSB-2D11-014BP FOR THE BLACK DUST COVER

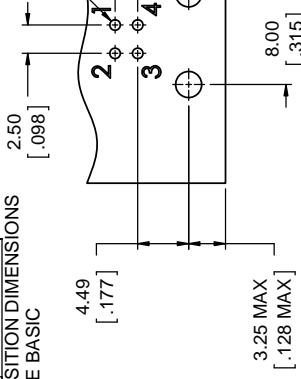
UNLESS SPECIFIED OTHERWISE	DRAWN	S. SEMENOV	FEB19/07
PRIMARY UNITS	MILLIMETERS	CHECKED	
SECONDARY UNITS	INCHES	M.E. APP'D	
REFERENCE IN PARENTHESES		Q.A. APP'D	
GENERAL TOLERANCES		DWG APPR.	A. GREEN
1 DECIMAL PLACE	±0.25	ENG. REL. NO.	
2 DECIMAL PLACES	±0.15	REF.	
3 DECIMAL PLACES		THIRD ANGLE PROJECTION	
ANGULAR DEGREES		DWG/	
		DO NOT SCALE DRAWING	

THIS DOCUMENT CONTAINS PROPRIETARY INFORMATION AND SUCH INFORMATION MAY NOT BE DISCLOSED TO OTHERS FOR ANY PURPOSE OR USED FOR MANUFACTURING PURPOSES WITHOUT WRITTEN PERMISSION FROM AMPHENOL CANADA CORP.

REV	
C	
D	

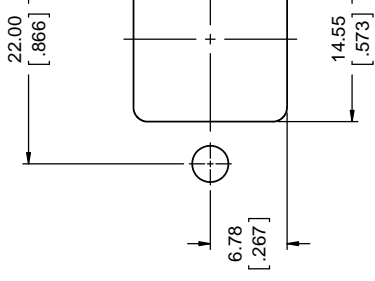
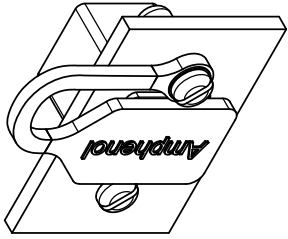


LOCATE HOLES
 \varnothing 0.13 [.005] DIA
 POSITION DIMENSIONS
 ARE BASIC



RECOMMENDED PCBI
 COMPONENT SIDE OF

DUST COVER APPLICATION
 SCALE 2:1



RECOMMENDED PANI



UNLESS SPECIFIED OTHERWISE	DRAWN	S.SEMENOV	FEB19/07
PRIMARY UNITS	MILLIMETERS	CHECKED	
SECONDARY	INCHES	M.E. APP'D	
REFERENCE IN PARENTHESSES		Q.A. APP'D	
GENERAL TOLERANCES		DWG APPR.	A.GREEN FEB19/07
1 DECIMAL PLACE	± 0.25	ENG. REL. NO.	
2 DECIMAL PLACES	± 0.15	REF.	
3 DECIMAL PLACES		THIRD	
ANGULAR DEGREES		PROTECTION	
		DWG/	
		DO NOT	
		DRAWING	
		LOAD	

THIS DOCUMENT CONTAINS PROPRIETARY INFORMATION AND SUCH INFORMATION MAY NOT BE DISCLOSED TO OTHERS FOR ANY PURPOSE OR USED FOR MANUFACTURING PURPOSES WITHOUT WRITTEN PERMISSION FROM AMPHENOL CANADA CORP.

Looking for pricing, stock, or lifecycle information?

Click below to explore more details on WIN SOURCE:

 [View MUSBD111M0 on WIN SOURCE](#)

 [Amphenol Information](#)

Optimize Your Supply Chain with WIN SOURCE Solutions

-  Global Sourcing Solution
-  Obsolete Management
-  Cost Control Management
-  Shortage Management
-  Alternative Solution
-  Excess Inventory Management