

WIN**SOURCE**
ELECTRONICS

THE DATASHEET OF
1217234-1



1217234-1 ✓ ACTIVE

MAG-MATE | MAG-MATE 300

TE Internal #: 1217234-1

Poke-In, Lead Wire Size 20 – 18 AWG, Lead Wire Size .5 – .9 mm², .23 – .32 mm Magnet Wire, MAG-MATE 300, Magnet Wire Terminals

[View on TE.com >](#)



Terminals & Splices > Magnet Wire Terminals



Magnet Wire Terminal Type: **Poke-In**

Lead Wire Size: **.5 – .9 mm²**

Magnet Wire Size: **.23 – .32 mm**

Features

Product Type Features

Compatible With Discrete Wire Type	Magnet Wire, Solid
------------------------------------	--------------------

Contact Features

Magnet Wire Terminal Type	Poke-In
Terminal Plating Material	Tin
Terminal Orientation	Twisted

Termination Features

Termination Method to Wire & Cable	Insulation Displacement (IDC)
------------------------------------	-------------------------------

Dimensions

Terminal Height	7.62 mm[.3 in]
Lead Wire Size	.5 – .9 mm ²
Magnet Wire Size	.23 – .32 mm
Stock Thickness (Magnet Wire Side)	.32 mm[.013 in]
Product Length	7.87 mm[.3 in]

Usage Conditions

Insulation Option	Uninsulated
Operating Temperature Range	-65 – 150 °C[-85 – 302 °F]



Operation/Application

Compatible With Wire Base Material	Copper
------------------------------------	--------

Packaging Features

Packaging Method	Reel, Reel/Carton
------------------	-------------------

Product Compliance

[For compliance documentation, visit the product page on TE.com>](#)

EU RoHS Directive 2011/65/EU	Compliant
EU ELV Directive 2000/53/EC	Compliant
China RoHS 2 Directive MIIT Order No 32, 2016	No Restricted Materials Above Threshold
EU REACH Regulation (EC) No. 1907/2006	Current ECHA Candidate List: JUNE 2024 (241) Candidate List Declared Against: JUNE 2024 (241) Does not contain REACH SVHC
Halogen Content	Low Halogen - Br, Cl, F, I < 900 ppm per homogenous material. Also BFR/CFR/PVC Free
Solder Process Capability	Not applicable for solder process capability

Product Compliance Disclaimer

This information is provided based on reasonable inquiry of our suppliers and represents our current actual knowledge based on the information they provided. This information is subject to change. The part numbers that TE has identified as EU RoHS compliant have a maximum concentration of 0.1% by weight in homogenous materials for lead, hexavalent chromium, mercury, PBB, PBDE, DBP, BBP, DEHP, DIBP, and 0.01% for cadmium, or qualify for an exemption to these limits as defined in the Annexes of Directive 2011/65/EU (RoHS2). Finished electrical and electronic equipment products will be CE marked as required by Directive 2011/65/EU. Components may not be CE marked. Additionally, the part numbers that TE has identified as EU ELV compliant have a maximum concentration of 0.1% by weight in homogenous materials for lead, hexavalent chromium, and mercury, and 0.01% for cadmium, or qualify for an exemption to these limits as defined in the Annexes of Directive 2000/53/EC (ELV). Regarding the REACH Regulation, the information TE provides on SVHC in articles for this part number is based on the latest European Chemicals Agency (ECHA) 'Guidance on requirements for substances in articles' posted at this URL: <https://echa.europa.eu/guidance-documents/guidance-on-reach>

Compatible Parts



Also in the Series | **MAG-MATE 300**



Magnet Wire Terminals(78)

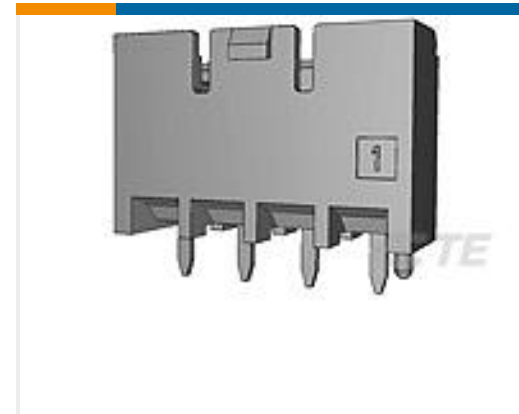
Customers Also Bought



TE Part #177916-1
AMP POWER DBL LOCK TAB (S)



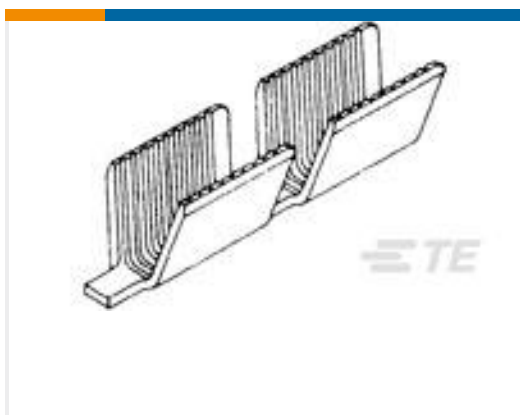
TE Part #1971845-4
4P, RAST 5 Tab Header, THV



TE Part #1376383-1
5mm B-T-W Conn. 3P HDR ASSEMBL



TE Part #179844-1
AMP POWER D/LOCK T/HDR ASSY 2P



TE Part #62306-2
AMVAR SPLC 1500-5000 020TPBR



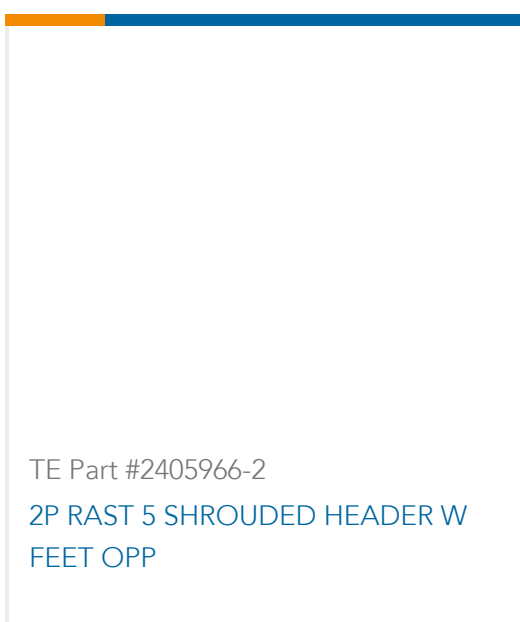
TE Part #6823354001
CGPT-6/2-0-SP



TE Part #5-1376386-1
5.0 POWER KEY CONNECTOR 4P (2R)



TE Part #1-2405963-2
2P, RAST 5 HEADER, PL, SHROUDED W, FEET



TE Part #2405966-2
2P RAST 5 SHROUDED HEADER W FEET OPP

Documents

CAD Files

[3D PDF](#)

[3D](#)

Customer View Model

[ENG_CVM_CVM_1217234-1_B.2d_dxf.zip](#)

English

Customer View Model

[ENG_CVM_CVM_1217234-1_B.3d_igs.zip](#)



English

Customer View Model

[ENG_CVM_CVM_1217234-1_B.3d_stp.zip](#)

English

By downloading the CAD file I accept and agree to the [Terms and Conditions](#) of use.

Datasheets & Catalog Pages

[Magnet Wire Terminals & Splices](#)

English

Product Specifications

[Application Specification](#)

English

Agency Approvals

[UL Report](#)

English

Looking for pricing, stock, or lifecycle information?

Click below to explore more details on WIN SOURCE:

[View 1217234-1 on WIN SOURCE](#)

[TE Connectivity Information](#)

Optimize Your Supply Chain with WIN SOURCE Solutions

- ✓ Global Sourcing Solution
- ✓ Obsolete Management
- ✓ Cost Control Management
- ✓ Shortage Management
- ✓ Alternative Solution
- ✓ Excess Inventory Management