



THE DATASHEET OF
1217128-1



1217128-1 ✓ ACTIVE



MAG-MATE

TE Internal #: 1217128-1

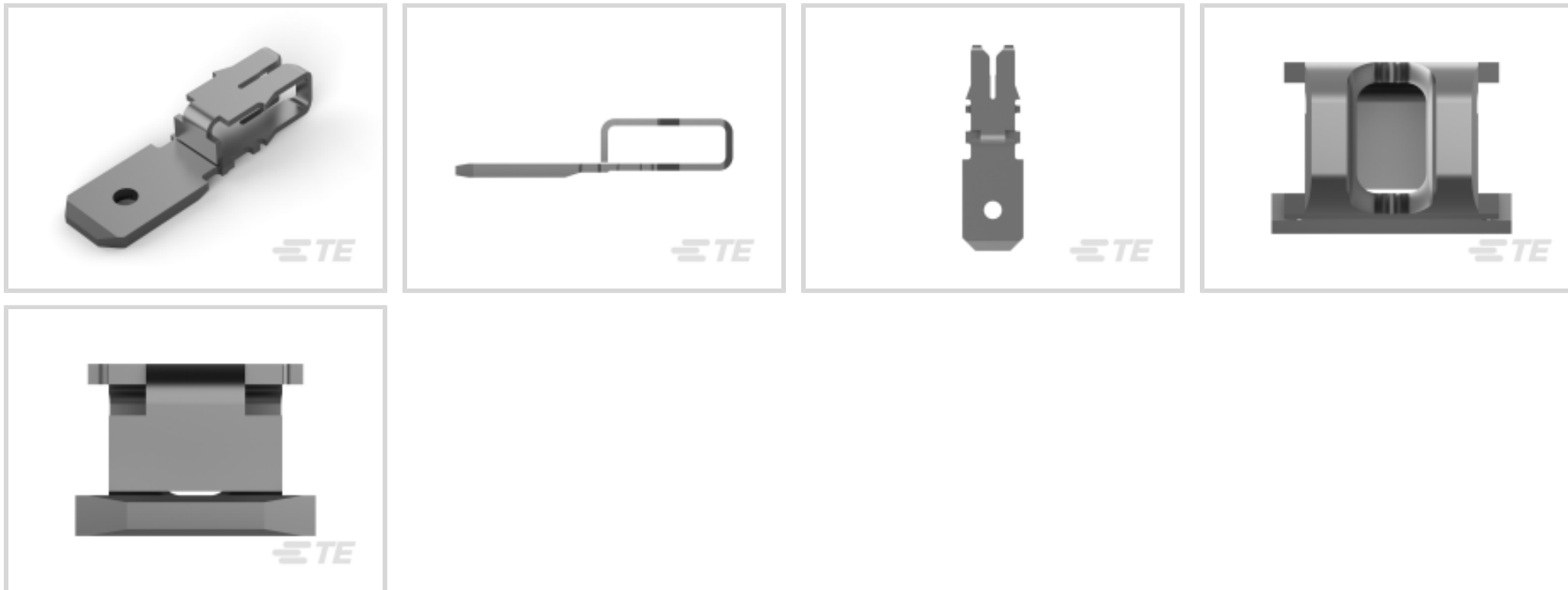
Tab, Mating Tab Width 4.75 mm [.187 in], Size 4, 21 – 19 AWG

Aluminum Wire, .41 – .91 mm Aluminum Wire, MAG-MATE,

Magnet Wire Terminals

[View on TE.com >](#)

Terminals & Splices > Magnet Wire Terminals



Magnet Wire Terminal Type: **Tab**

Mating Tab Width: **4.75 mm [.187 in]**

Mating Tab Thickness: **.64 mm [.032 in]**

Compatible With Cavity Size: **Size 4**

Aluminum Wire Size: **21 – 19 AWG**

Features

Product Type Features

Compatible With Discrete Wire Type	Magnet Wire, Solid
------------------------------------	--------------------

Body Features

Compatible With Cavity Size	Size 4
-----------------------------	--------

Contact Features

Magnet Wire Terminal Type	Tab
Mating Tab Width	4.75 mm [.187 in]
Mating Tab Thickness	.64 mm [.032 in]
Terminal Plating Material	Tin
Terminal Orientation	Straight

Termination Features

Termination Method to Wire & Cable	Insulation Displacement (IDC)
------------------------------------	-------------------------------

Mechanical Attachment

Mating Retention Type	Hole
-----------------------	------



Dimensions

Terminal Height	7.62 mm[.3 in]
Aluminum Wire Size	.41 – .91 mm
Magnet Wire Size	.64 – .81 mm
Stock Thickness (Magnet Wire Side)	.41 mm[.016 in]
Product Length	16 mm[.63 in]

Usage Conditions

Insulation Option	Uninsulated
Operating Temperature Range	-65 – 150 °C[-85 – 302 °F]

Operation/Application

Compatible With Wire Base Material	Aluminum, Copper
------------------------------------	------------------

Packaging Features

Packaging Method	Reel, Reel/Carton
------------------	-------------------

Product Compliance

[For compliance documentation, visit the product page on TE.com>](#)

EU RoHS Directive 2011/65/EU	Compliant
EU ELV Directive 2000/53/EC	Compliant
China RoHS 2 Directive MIIT Order No 32, 2016	No Restricted Materials Above Threshold
EU REACH Regulation (EC) No. 1907/2006	Current ECHA Candidate List: JUNE 2024 (241) Candidate List Declared Against: JUNE 2024 (241) Does not contain REACH SVHC
Halogen Content	Low Halogen - Br, Cl, F, I < 900 ppm per homogenous material. Also BFR/CFR/PVC Free
Solder Process Capability	Not applicable for solder process capability

Product Compliance Disclaimer

This information is provided based on reasonable inquiry of our suppliers and represents our current actual knowledge based on the information they provided. This information is subject to change. The part numbers that TE has identified as EU RoHS compliant have a maximum concentration of 0.1% by weight in homogenous materials for lead, hexavalent chromium, mercury, PBB, PBDE, DBP, BBP, DEHP, DIBP, and 0.01% for cadmium, or qualify for an exemption to these limits as defined in the Annexes of Directive 2011/65/EU (RoHS2). Finished electrical and electronic equipment products will be CE marked as required by Directive 2011/65/EU. Components may not be CE marked. Additionally, the part numbers that TE has identified as EU ELV compliant have a maximum concentration of 0.1% by weight in homogenous materials for lead, hexavalent chromium, and mercury, and 0.01% for cadmium, or qualify for an exemption to these limits as defined in the Annexes of Directive 2000/53/EC (ELV). Regarding the REACH Regulation, the information TE provides on SVHC in articles for this part number is based on the latest European Chemicals Agency (ECHA) 'Guidance on

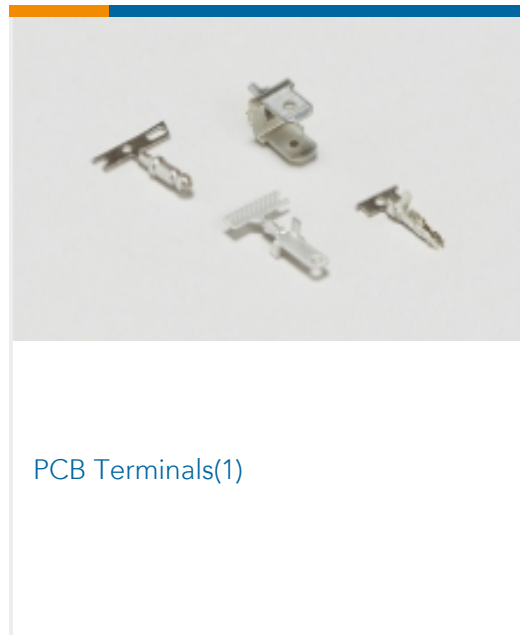
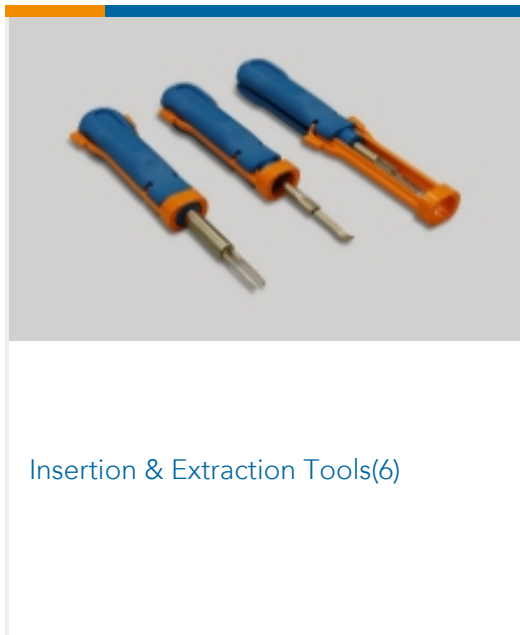
requirements for substances in articles' posted at this URL: <https://echa.europa.eu/guidance-documents/guidance-on-reach>

Compatible Parts

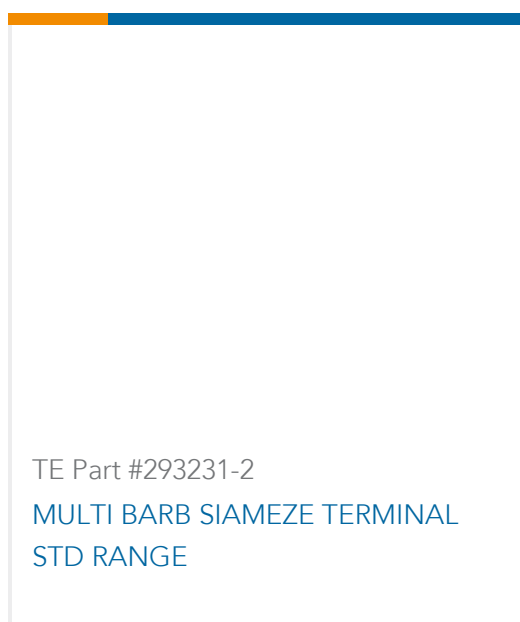
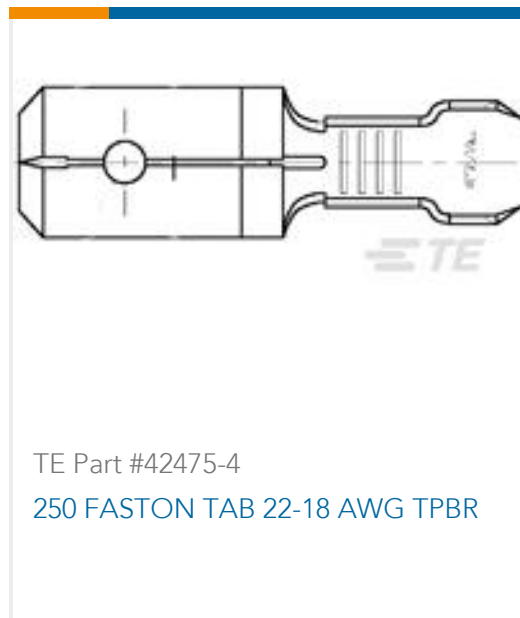
 <p>TE Part # 63810-1 TERMINAL MAG-MATE TAB TPBR</p>	 <p>TE Part # 1217031-1 MAG-MATE 250FTAB 22-20 016TPBR</p>	 <p>TE Part # 1217924-1 TAB,250 FASTON,MAG-MATE</p>	 <p>TE Part # 1742474-1 TAB,.187 FASTON,MAG-MATE</p>
 <p>TE Part # 2232781-1 TAB, 187 FASTON, MAG-MATE SLIM</p>	 <p>TE Part # 1217516-1 TAB, 187 FASTON, MAG-MATE SLIM</p>	 <p>TE Part # 1217065-1 MAG-MATE 22-20 187 FTAB TPBR</p>	 <p>TE Part # 1742203-1 SPEC LEAF CONT,500SER,MAG-MATE</p>
 <p>TE Part # 1-62511-1 MAG-MATE 22-20 187 F TAB TPBR</p>	 <p>TE Part # 1217032-1 MAG-MATE W/118 TAB 33-31 TPBR</p>	 <p>TE Part # 1217051-1 TAB, MAG-MATE LH 31-28 TPBR</p>	 <p>TE Part # 1217052-1 TAB, MAG-MATE RH 31-28 TPBR</p>
 <p>TE Part # 1217666-1 TAB,187 FASTON,MAG-MATE SLM LN</p>	 <p>TE Part # 1217870-1 TAB,250 FASTON,MAG-MATE</p>	 <p>TE Part # 1217993-1 TAB,187X032 FASTON,MAG-MATE</p>	 <p>TE Part # 1217994-1 TAB,187X032 FASTON,MAG-MATE</p>



Also in the Series | **MAG-MATE**



Customers Also Bought



Documents

Product Drawings

[TAB,187FAST 300SERIES MAG-MATE](#)

English

CAD Files

[3D PDF](#)

[3D](#)



Customer View Model

[ENG_CVM_CVM_1217128-1_E.2d_dxf.zip](#)

English

Customer View Model

[ENG_CVM_CVM_1217128-1_E.3d_igs.zip](#)

English

Customer View Model

[ENG_CVM_CVM_1217128-1_E.3d_stp.zip](#)

English

By downloading the CAD file I accept and agree to the [Terms and Conditions](#) of use.

Datasheets & Catalog Pages

[Magnet Wire Terminals & Splices](#)

English

Product Specifications

[Application Specification](#)

English

Looking for pricing, stock, or lifecycle information?

Click below to explore more details on WIN SOURCE:

[View 1217128-1 on WIN SOURCE](#)

[TE Connectivity Information](#)

Optimize Your Supply Chain with WIN SOURCE Solutions

- ✓ Global Sourcing Solution
- ✓ Obsolete Management
- ✓ Cost Control Management
- ✓ Shortage Management
- ✓ Alternative Solution
- ✓ Excess Inventory Management